

8

7

6

5

4

3

2

1

NOTE(S):

1. PART NUMBER, "/00" DENOTES PART SHALL HAVE FINISH.

2. APPLY NSF COMPLIANT GREASE TO ANY O-RING, SEALING JOINTS, AND/OR PIVOTAL POINTS.

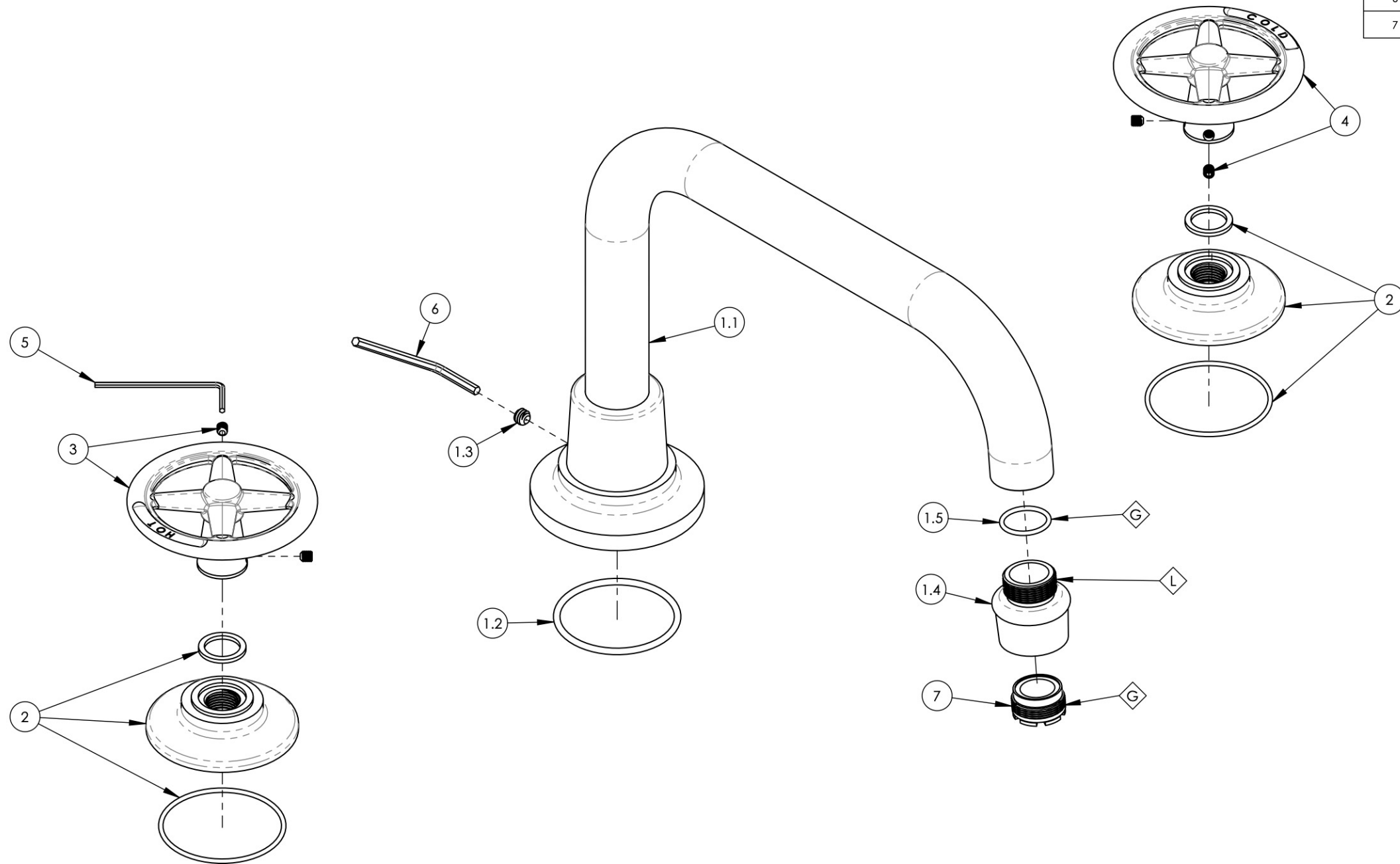
3. APPLY NSF COMPLIANT LOCTITE TO THREADED AREA:

4. APPLY NSF COMPLIANT REMOVABLE (BLUE) LOCTITE TO THREADED AREA:

5. SILVER SOLDER JOINTS SHALL BE FULLY WETTED VIA CAPILLARY ACTION AND COMPLETELY NON-POROUS.



ITEM NO.	PART NUMBER	DESCRIPTION	QTY.
1	3-297/00	SPOUT, DECK TUB, LOW FLAT, TRADITIONAL, WORKS	1
1.1	2-349/00	SPOUT, DECK TUB, LOW FLAT, TRADITIONAL, BRAZE, WORKS	1
1.2	90133	1 3/4" O-RING, 1-13/16 ID X 3/32 THK, AS-568-133	1
1.3	92391	SET SCREW, CUP PT, 1/4"-20 X 3/16"L	1
1.4	11674/00	AERATOR HOUSING, RT SPOUT, TRANS. HEX MODERN	1
1.5	90017	O-RING, 1 1/16" ID X 13/16" OD X 1/16" THK, AS-568-017	1
2	3-299/00	ESCUTCHEON BASE FOR HANDLE, WORKS	2
3	3-300/00	HANDLE CROSS, HOT, W/ HARDWARE, WORKS	1
4	3-301/00	HANDLE CROSS, COLD, W/ HARDWARE, WORKS	1
5	92021	HEX KEY 5/64, FOR 8-32 SET SCREW	1
6	92216	HEX L-KEY 1/8" HEX X 2-5/16"L	1
7	P05024	AERATOR CACHE COIN SLOT, M21.5X1.0 FULL FLOW	1



ZONE	REV.	DESCRIPTION	DATE	APPROVED
REVISIONS				

1261 LOGAN AVENUE
 COSTA MESA, CALIFORNIA 92626
 PHONE: 714.361.4800
 FAX: 714.617.3120

PHYLIRICH[®]
 Defining Luxury Since 1959

PROPRIETARY AND CONFIDENTIAL
 THE INFORMATION CONTAINED IN THIS DRAWING IS THE SOLE PROPERTY OF PHYLIRICH. ANY REPRODUCTION IN PART OR AS A WHOLE WITHOUT THE WRITTEN PERMISSION OF PHYLIRICH IS PROHIBITED.
DO NOT SCALE DRAWING

**DECK TUB SET, LOW FLAT SPOUT W/
 CROSS, WORKS**

SIZE	ASM/PRT NO.	REV
B	220-42/00	-
SCALE: 1:2	WEIGHT: lbs.	SHEET 1 OF 2

8

7

6

5

4

3

2

1