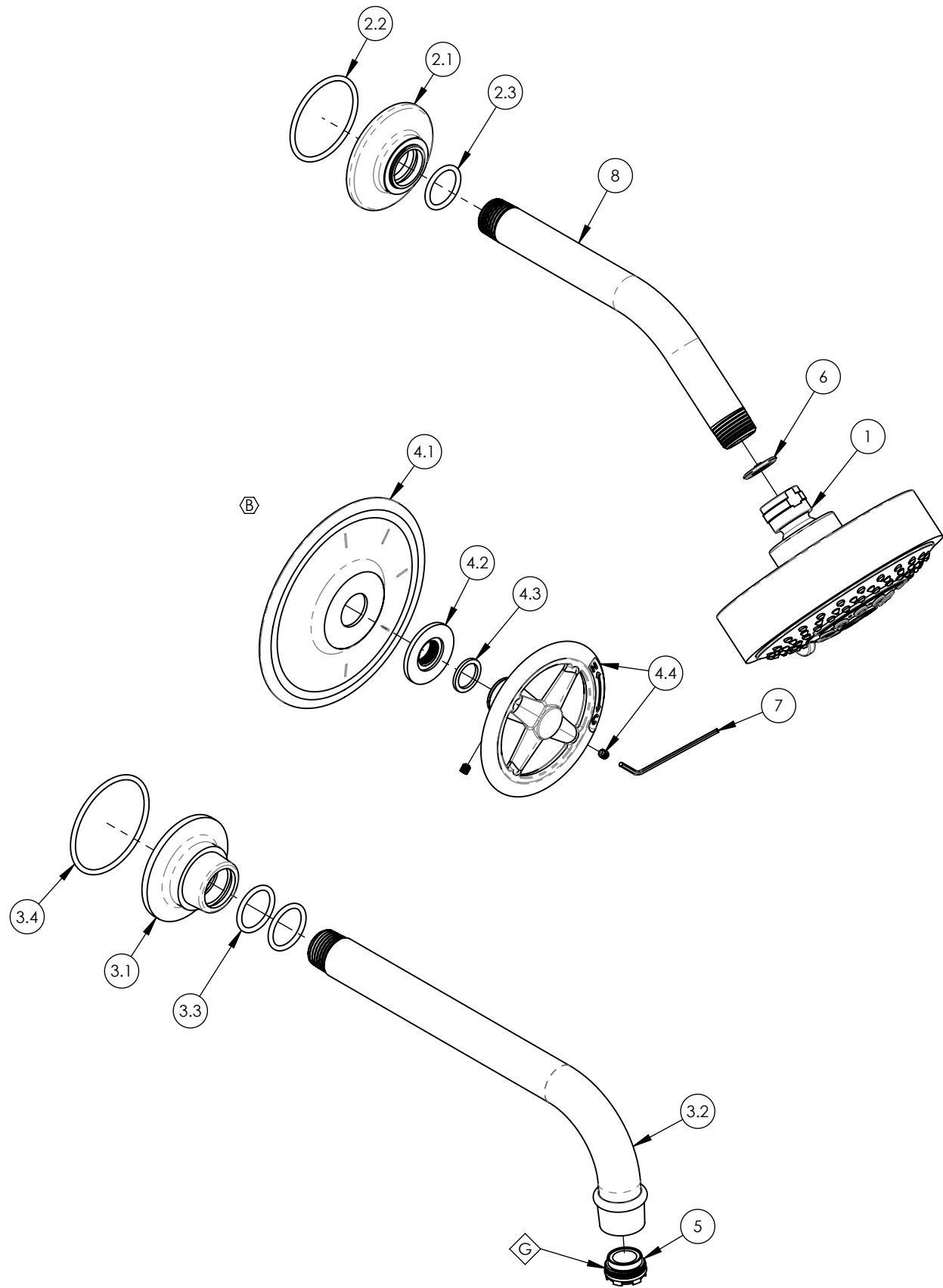


- NOTE(S):
 1. PART NUMBER, "/00" DENOTES PART SHALL HAVE FINISH.
 2. APPLY NSF COMPLIANT GREASE TO ANY O-RING, SEALING JOINTS, AND/OR PIVOTAL POINTS.
 3. APPLY NSF COMPLIANT LOCTITE TO THREADED AREA.
 4. APPLY NSF COMPLIANT REMOVABLE (BLUE) LOCTITE TO THREADED AREA.
 5. SILVER SOLDER JOINTS SHALL BE FULLY WETTED VIA CAPILLARY ACTION AND COMPLETELY NON-POROUS.
 6. REQUIRED IN WALL VALVE: 1-030

- G
- L
- B
- S

B



ITEM NO.	PART NUMBER	DESCRIPTION	QTY.
1	3-454/00	SHOWER HEAD MULTI. FUNC. CONTEMP.	1
2	3-622/00	FLANGE FOR SHOWER ARM, WORKS	1
2.1	11938/00	ESCUTHEON FLANGE, SHOWER ARM, WORKS	1
2.2	90132	O-RING, 1-3/4"ID X 3/32THK, AS-568-132	1
2.3	90117	O-RING, 7/8"ID X 33/32THK., AS-568-117	1
3	3-643/00	SPOUT, WALL, W/ HARDWARE, TRADITIONAL, WORKS	1
3.1	11920/00	ESCUTHEON BASE, WALL SPOUT, WORKS	1
3.2	2-282/00	ASSY, WALL SPOUT, BRAZE, HEX MODERN	1
3.3	90118	O-RING, 7/8"ID X 1-1/16"OD X 3/32THK, AS-568-118	2
3.4	90137	O-RING, 2-1/16"ID X 3/32THK., AS-568-137	1
4	4-580/00	SHOWER TRIM PLATE, SINGLE HANDLE CROSS, WORKS	1
4.1	11939/00	TRIM PLATE, SHOWER, WORKS	1
4.2	11940/00	MOUNTING HUB, TRIM PLATE SHOWER, WORKS	1
4.3	92404	WEAR WASHER, HANDLE	1
4.4	3-623/00	HANDLE CROSS, H&C, FOR SHOWER, W/ HARDWARE, WORKS	1
5	10141	AERATOR, CACHE LAMINAR FULL FLOW NEOPERL 42.3330.010	1
6	11432	1.75 GPM FLOW REGULATOR	1
7	92021	HEX KEY 5/64, FOR 8-32 SET SCREW	1
8	P16008/00	SHOWER ARM (8 INCH)	1

C5	B	ADD NOTES, REVERT TO NON DIVERTED TRIM PLATE	4/25/2022	AMM
ZONE	REV.	DESCRIPTION	DATE	APPROVED
REVISIONS				

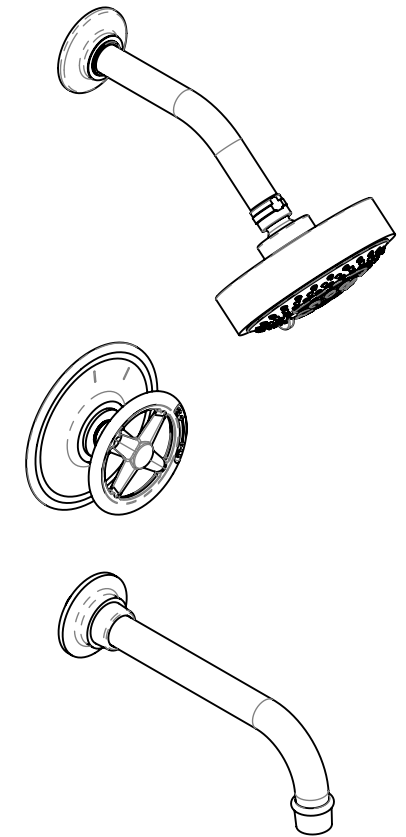
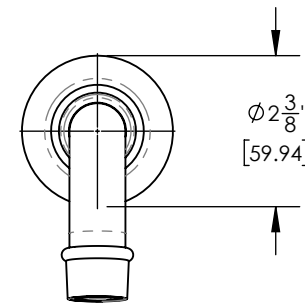
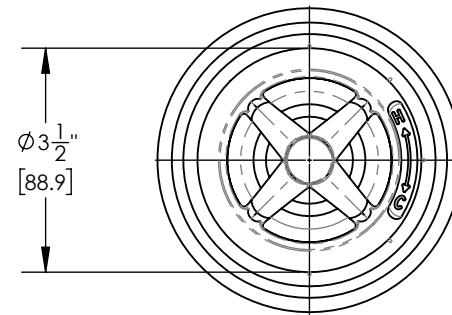
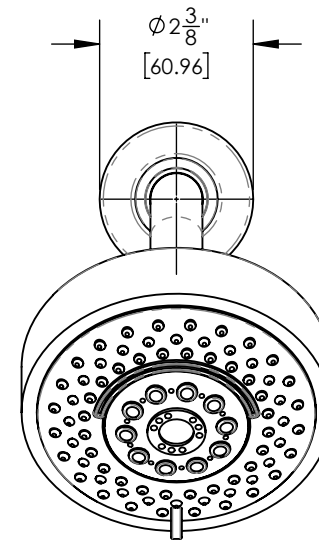
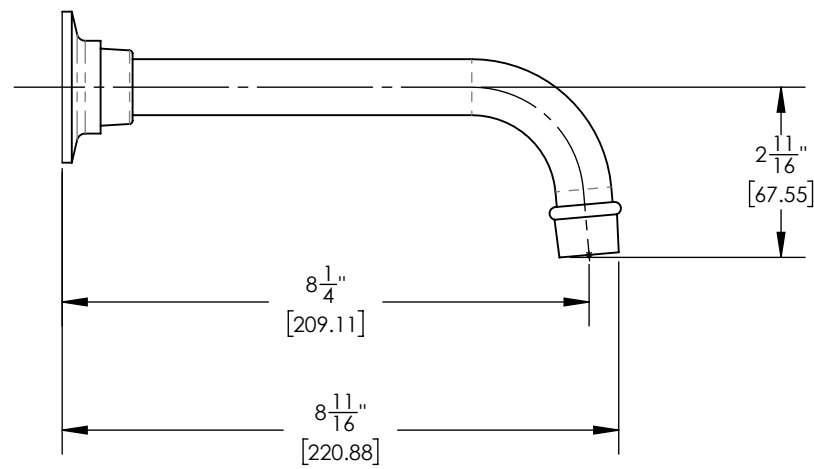
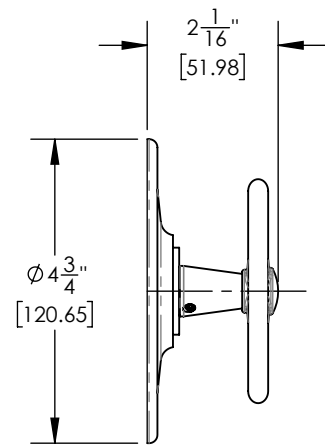
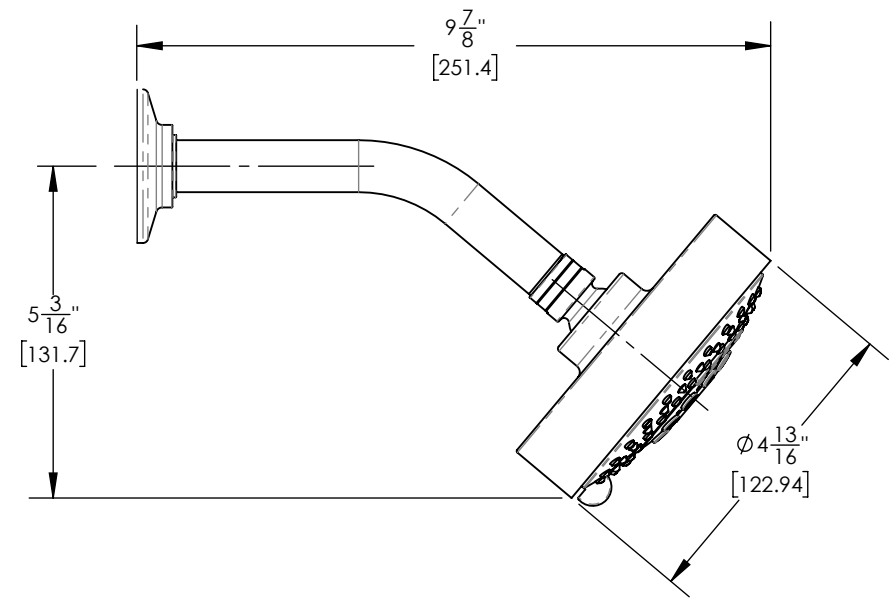
1261 LOGAN AVENUE
 COSTA MESA, CALIFORNIA 92626
 PHONE: 714.361.4800
 FAX: 714.617.3120

PHYLIRICH[®]
 Defining Luxury Since 1959

PROPRIETARY AND CONFIDENTIAL
 THE INFORMATION CONTAINED IN THIS DRAWING IS THE SOLE PROPERTY OF PHYLIRICH. ANY REPRODUCTION IN PART OR AS A WHOLE WITHOUT THE WRITTEN PERMISSION OF PHYLIRICH IS PROHIBITED.
DO NOT SCALE DRAWING

SHOWER TRIM SET, PB TUB & SHOWER,
 SPOUT 8-1/4" W/ CROSS, WORKS

SIZE B	ASM/PRT NO. 220-26/00	REV B
SCALE: 1:3	WEIGHT: lbs.	SHEET 1 OF 2



1261 LOGAN AVENUE
COSTA MESA, CALIFORNIA 92626
PHONE: 714.361.4800
FAX: 714.617.3120

PHYLIRICH[®]
Defining Luxury Since 1959

PROPRIETARY AND CONFIDENTIAL
THE INFORMATION CONTAINED IN THIS DRAWING
IS THE SOLE PROPERTY OF PHYLIRICH. ANY
REPRODUCTION IN PART OR AS A WHOLE
WITHOUT THE WRITTEN PERMISSION OF PHYLIRICH
IS PROHIBITED.
DO NOT SCALE DRAWING

**SHOWER TRIM SET, PB TUB & SHOWER,
SPOUT 8-1/4" W/ CROSS, WORKS**

SIZE	ASM/PRT NO.	REV
B	220-26/00	B
SCALE: 1:3	WEIGHT: lbs.	SHEET 2 OF 2