

5

4

3

2

1

E

E

D

D

C

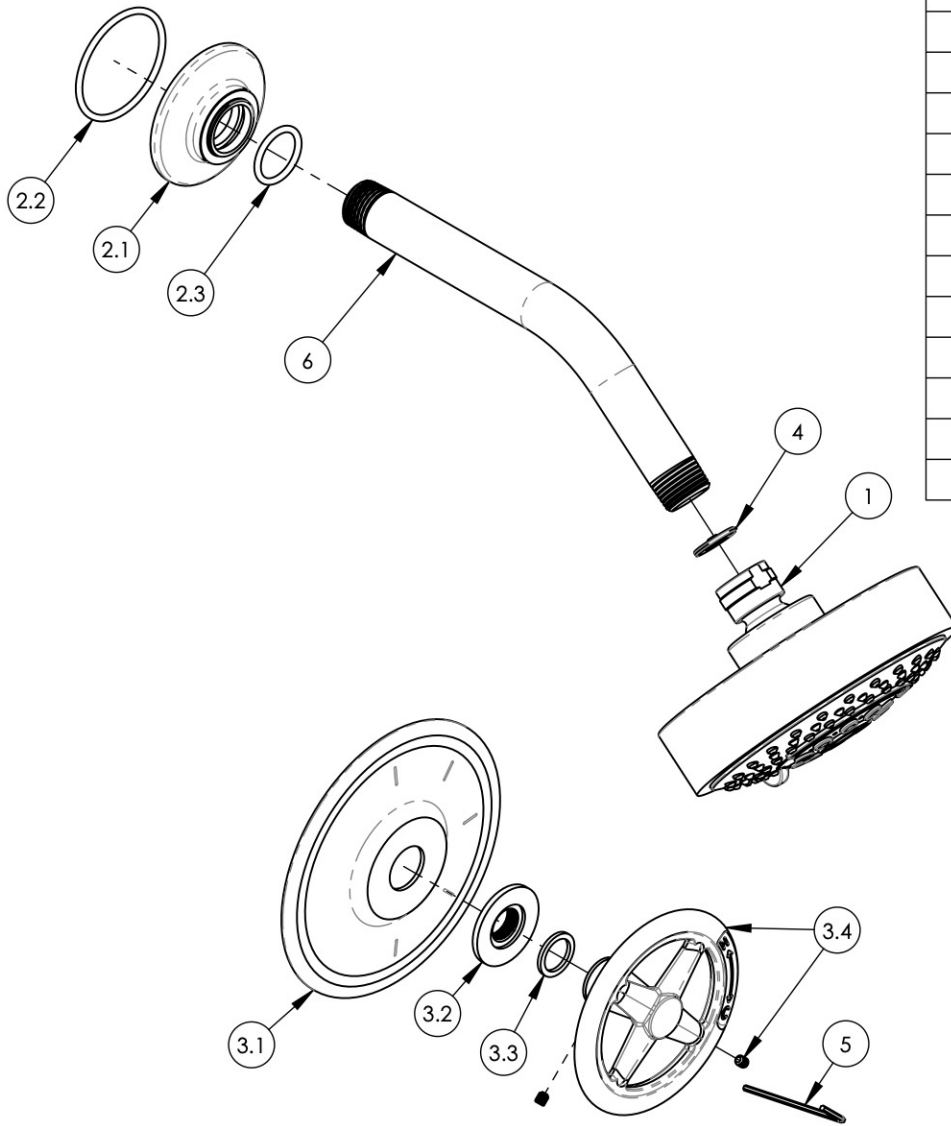
C

B

B

A

A



ITEM NO.	PART NUMBER	DESCRIPTION	QTY.
1	3-454/00	SHOWER HEAD MULTI. FUNC. CONTEMP.	1
2	3-622/00	FLANGE FOR SHOWER ARM, WORKS	1
2.1	11938/00	ESCUTCHEON FLANGE, SHOWER ARM, WORKS	1
2.2	90132	O-RING, 1-3/4"ID X 3/32THK, AS-568-132	1
2.3	90117	O-RING, 7/8"ID X 33/32"THK., AS-568-117	1
3	4-580/00	SHOWER TRIM PLATE, SINGLE HANDLE CROSS, WORKS	1
3.1	11939/00	TRIM PLATE, SHOWER, WORKS	1
3.2	11940/00	MOUNTING HUB, TRIM PLATE SHOWER, WORKS	1
3.3	92404	WEAR WASHER, HANDLE	1
3.4	3-623/00	HANDLE CROSS, H&C, FOR SHOWER, W/ HARDWARE, WORKS	1
4	11432	1.75 GPM FLOW REGULATOR	1
5	92021	HEX KEY 5/64, FOR 8-32 SET SCREW	1
6	P16008/00	SHOWER ARM (8 INCH)	1

ZONE	REV.	DESCRIPTION	DATE	APPROVED
REVISIONS				

1261 LOGAN AVENUE
COSTA MESA, CALIFORNIA 92626
PHONE: 714.361.4800
FAX: 714.617.3120

PHYLIRICH[®]
Defining Luxury Since 1959

PROPRIETARY AND CONFIDENTIAL
THE INFORMATION CONTAINED IN THIS DRAWING IS THE SOLE PROPERTY OF PHYLIRICH. ANY REPRODUCTION IN PART OR AS A WHOLE WITHOUT THE WRITTEN PERMISSION OF PHYLIRICH IS PROHIBITED.
DO NOT SCALE DRAWING

PRESSURE BALANCE SHOWER SET, CROSS,
WORKS

SIZE	ASM/PRT NO.	REV
A	220-21/00	
SCALE: 1:3	WEIGHT: lbs.	SHEET 1 OF 2

5

4

3

2

1