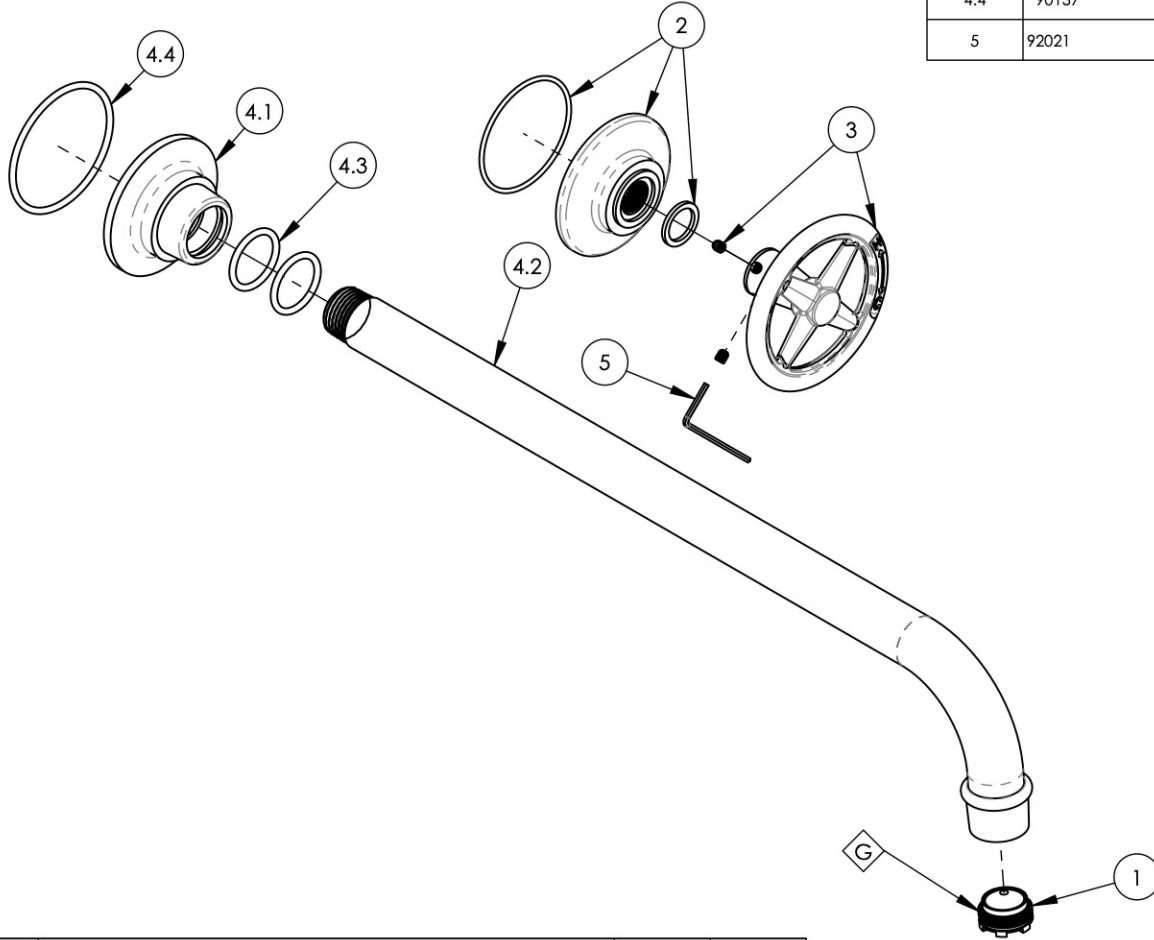


- NOTE(S):
1. PART NUMBER, "/00" DENOTES PART SHALL HAVE FINISH.
 2. APPLY NSF COMPLIANT GREASE TO ANY O-RING, SEALING JOINTS, AND/OR PIVOTAL POINTS. G
 3. APPLY NSF COMPLIANT LOCTITE TO THREADED AREA. L
 4. APPLY NSF COMPLIANT REMOVABLE (BLUE) LOCTITE TO THREADED AREA. B
 5. SILVER SOLDER JOINTS SHALL BE FULLY WETTED VIA CAPILLARY ACTION AND COMPLETELY NON-POROUS. S

ITEM NO.	PART NUMBER	DESCRIPTION	QTY.
1	11429	AERATOR CACHE JR, 1.2GPM, M21.5X1.0, 42.2260.450	1
2	3-299/00	ESCUTCHEON BASE FOR HANDLE, WORKS	1
3	3-304/00	HANDLE CROSS, H&C, W/ HARDWARE, WORKS	1
4	3-766/00	SPOUT, WALL, 14" W/ HARDWARE, TRAD., WORKS	1
4.1	11920/00	ESCUTCHEON BASE, WALL SPOUT, WORKS	1
4.2	2-379/00	WALL SPOUT, 14", BRAZE, HEX MODERN	1
4.3	90118	O-RING, 7/8"ID X 1-1/16"OD X 3/32"THK, AS-568-118	2
4.4	90137	O-RING, 2-1/16"ID X 3/32"THK., AS-568-137	1
5	92021	HEX KEY 5/64, FOR 8-32 SET SCREW	1



ZONE	REV.	DESCRIPTION	DATE	APPROVED
REVISIONS				

1261 LOGAN AVENUE
COSTA MESA, CALIFORNIA 92626
PHONE: 714.361.4800
FAX: 714.617.3120

PHYLIRICH[®]
Defining Luxury Since 1959

PROPRIETARY AND CONFIDENTIAL
THE INFORMATION CONTAINED IN THIS DRAWING IS THE SOLE PROPERTY OF PHYLIRICH. ANY REPRODUCTION IN PART OR AS A WHOLE WITHOUT THE WRITTEN PERMISSION OF PHYLIRICH IS PROHIBITED.
DO NOT SCALE DRAWING

WALL LAV, SINGLE HANDLE, SPOUT 14"
W/ CROSS, WORKS

SIZE	ASM/PRT NO.	REV
A	220-15-14/00	-
SCALE: 1:3	WEIGHT: lbs.	SHEET 1 OF 2