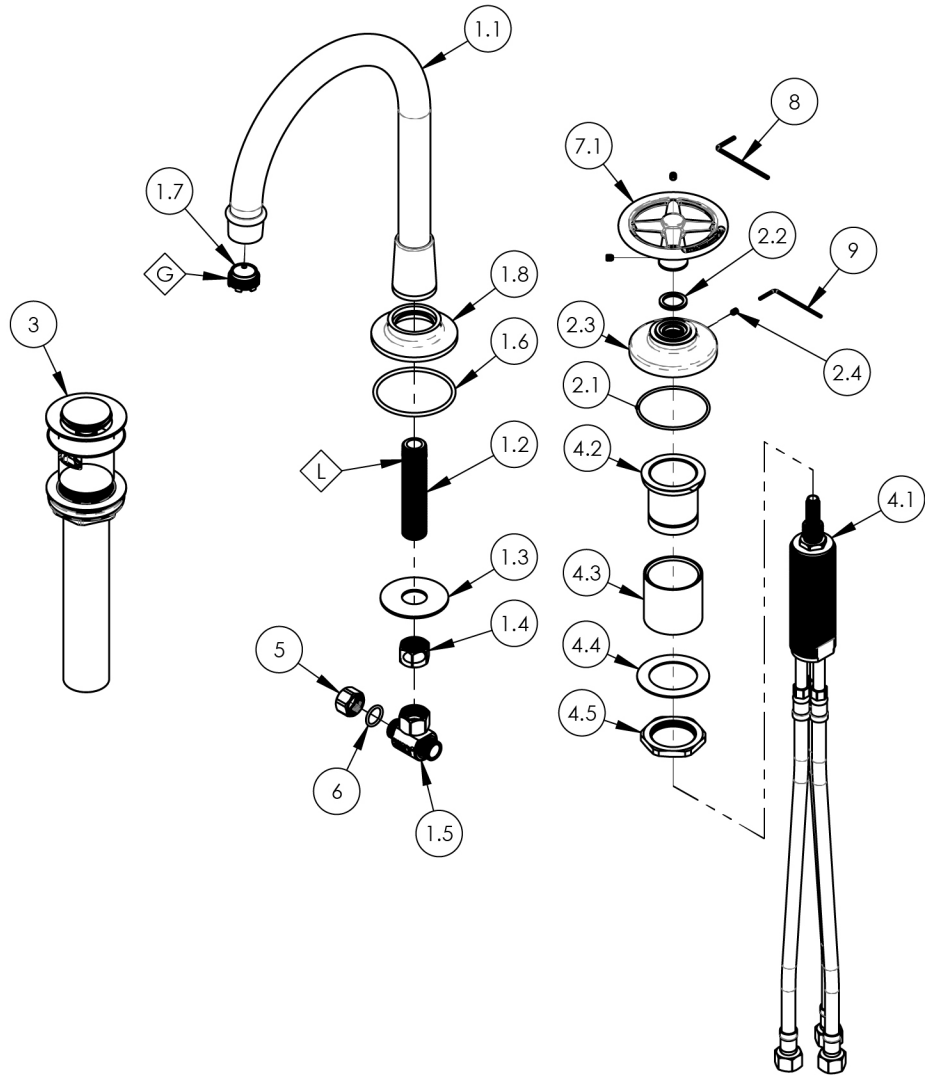


NOTE(S):
 1. PART NUMBER, "/00" DENOTES PART SHALL HAVE FINISH.

2. APPLY NSF COMPLIANT GREASE TO ANY O-RING, SEALING JOINTS, AND/OR PIVOTAL POINTS.

3. APPLY NSF COMPLIANT LOCTITE TO THREADED AREA.



ITEM NO.	PART NUMBER	DESCRIPTION	QTY.
1	3-616/00	SPOUT ARC, WIDESPREAD, W/ HARDWARE, TRADITIONAL, WORKS	1
1.1	2-331/00	SPOUT ARC, BASE & AERATOR HOUSING, BRAZE, WORKS	1
1.2	10745	THREAD ALL, 3/8"-18 NPSM	1
1.3	92174	WASHER, 1.860 O.D X .690 I.D	1
1.4	10746	NUT, 3/8"-18 NPSL	1
1.5	1-112	TEE VALVE, 3/8" NPSM X 3/8" COMPRESSION	1
1.6	90137	O-RING, 2-1/16"ID X 3/32"THK., AS-568-137	1
1.7	11429	AERATOR CACHE JR, 1.2GPM, M21.5X1.0, 42.2260.450	1
1.8	12273/00	ESCUTCHEON BASE, ARC SPOUT, WORKS	1
2	3-984/00	ESCUTCHEON BASE, SINGLE HANDLE LAV	1
2.1	90032	O-RING, 1-7/8"ID X 2"OD X 1/16"THK, AS-568-032	1
2.2	92404	WEAR WASHER, HANDLE	1
2.3	12685/00	ESCUTCHEON, SINGLE HANDLE LAV	1
2.4	92005	SET SCREW, CUP PT 6-32 UNC THREAD 3/16"L	1
3	3-545/00	BRASS PUSH TYPE DRAIN, W/ OVERFLOW & SMALL PLUG	1
4	2-580	VALVE KIT, FLUSH MOUNT, SINGLE HANDLE LAV	1
4.1	1-054	VALVE, DECK MOUNTED SINGLE HANDLE LAV DROP-IN	1
4.2	11077	SLEEVE MOUNT, DECK (ROMAN) TUB	1
4.3	92180	EXTENSION SLEEVE, WIDESPREAD	1
4.4	92138	BRASS WASHER, THIN	1
4.5	92313	HEX NUT, 1-1/4"-20 THREAD	1
5	92492	CAP NUT, 3/8" COMPRESSION	1
6	90014	O-RING, 1/2"ID X 5/8"OD X 1/16"THK, AS-568-014	1
7	3-304/00	HANDLE CROSS, H&C, W/ HARDWARE, WORKS	1
7.1	2-338/00	HANDLE CROSS, H & C, W/ POST, BRAZE, WORKS	1
7.2	92008	SET SCREW, CUP POINT 8-32, 3/16" L.	2
8	92021	HEX KEY 5/64, FOR 8-32 SET SCREW	1
9	92246	HEX KEY 1/16, FOR 6-32 SET SCREW	1

ZONE	REV.	DESCRIPTION	DATE	APPROVED
REVISIONS				

1261 LOGAN AVENUE
 COSTA MESA, CALIFORNIA 92626
 PHONE: 714.361.4800
 FAX: 714.617.3120

PHYLIRICH[®]
 Defining Luxury Since 1959

PROPRIETARY AND CONFIDENTIAL
 THE INFORMATION CONTAINED IN THIS DRAWING IS THE SOLE PROPERTY OF PHYLIRICH. ANY REPRODUCTION IN PART OR AS A WHOLE WITHOUT THE WRITTEN PERMISSION OF PHYLIRICH IS PROHIBITED.
 DO NOT SCALE DRAWING

WIDESPREAD LAV, HIGH ARC SPOUT,
 SINGLE CROSS HANDLE, WORKS

SIZE A	ASM/PRT NO. 220-07/00	REV -
SCALE: 1:5.25	WEIGHT: lbs.	SHEET 1 OF 2