

5

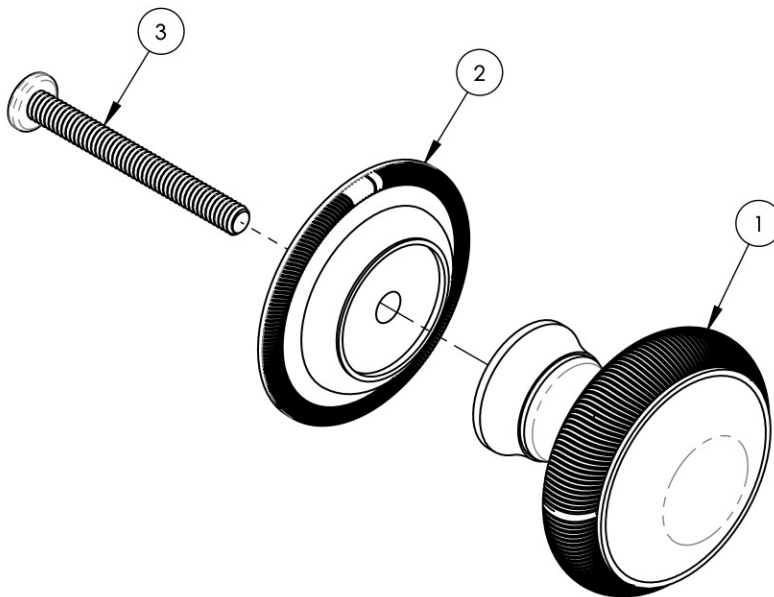
4

3

2

1

ITEM NO.	PART NUMBER	DESCRIPTION	QTY.
1	10493/00	CABINET KNOB, COINED SERIES	1
2	10494/00	ROSSETTE, CABINET KNOB, COINED SERIES	1
3	92094	SCREW, PAN HD 8-32 X 1.5"L	1



ALL	REV.	DESCRIPTION	DATE	APPROVED
A		UPDATE TEMPLATE	4/10/2020	AMM

1261 LOGAN AVENUE
COSTA MESA, CALIFORNIA 92626
PHONE: 714.361.4800
FAX: 714.617.3120

PHYL RICH[®]
Defining Luxury Since 1959

PROPRIETARY AND CONFIDENTIAL
THE INFORMATION CONTAINED IN THIS DRAWING IS THE SOLE PROPERTY OF PHYL RICH. ANY REPRODUCTION IN PART OR AS A WHOLE WITHOUT THE WRITTEN PERMISSION OF PHYL RICH IS PROHIBITED.

-	-	INTERPRET GEOMETRIC DIMENSIONING & TOLERANCING IN ACCORDANCE WITH ASME Y14.5-2009 & ASME Y14.41-2003 STANDARDS, UNLESS OTHERWISE SPECIFIED. DIMENSIONS ARE IN INCHES. TOLERANCES ARE:		
NEXT ASSY	USED ON	FRACTIONS ±1/16"	DECIMALS X.X: ±.1 X.XX: ±.01 X.XXX: ±.005	ANGULAR ±2°
APPLICATION		MATERIAL	NAME	DATE
FINISH		DRAWN	LLO	9/24/2015
DO NOT SCALE DRAWING		CHECKED	GRE	

CABINET KNOB, COINED SERIES

SIZE	ASM/PRT NO.	REV
A	208-90/00	A
SCALE: 1:1	WEIGHT: lbs.	SHEET 1 OF 2

5

4

3

2

1