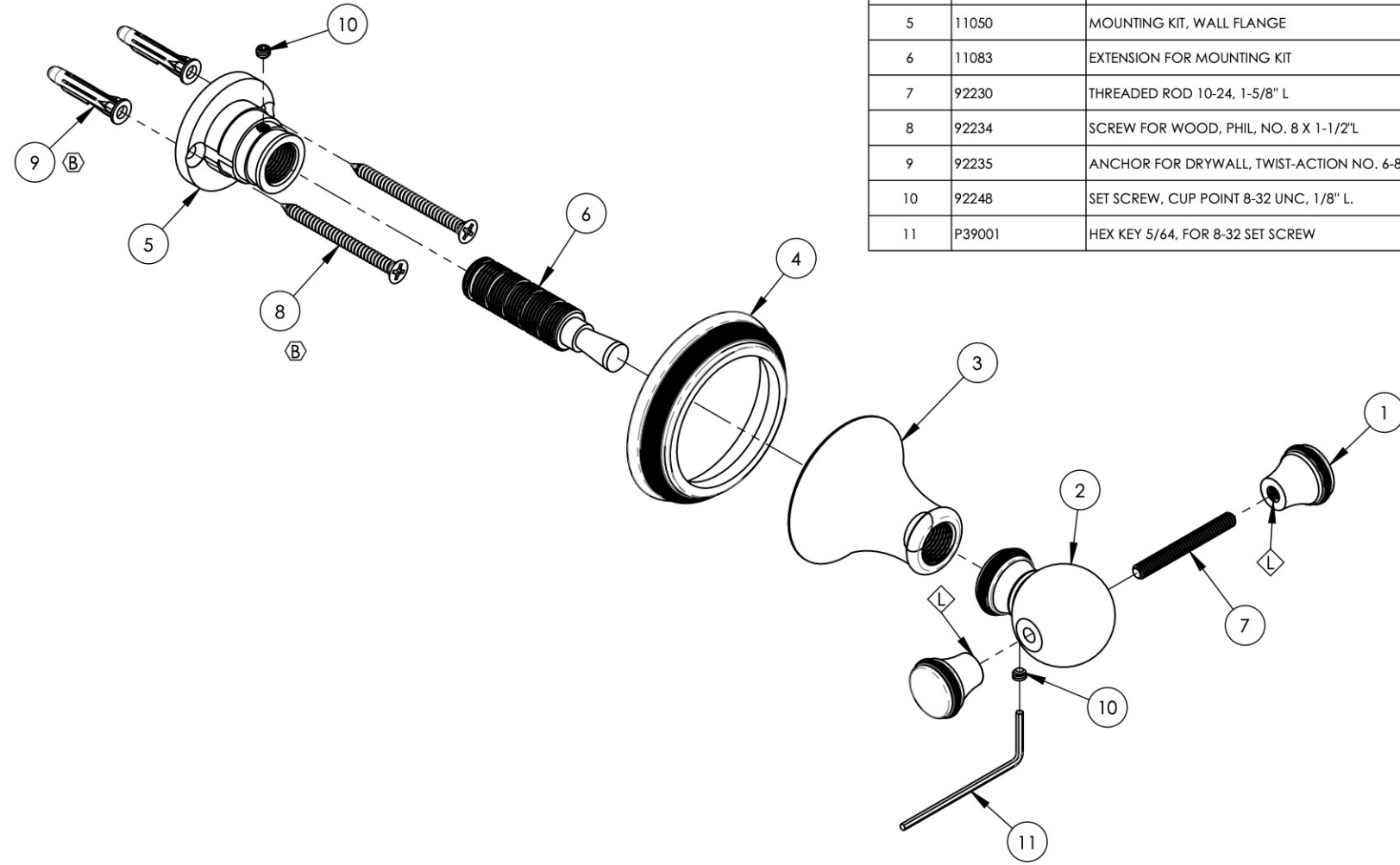


NOTE(S):
 1. APPLY NSF COMPLIANT LOCTITE TO THREADED AREA. L



ITEM NO.	PART NUMBER	DESCRIPTION	QTY.
1	10525/00	ROBE HOOK FINIAL, 208 SERIES	2
2	10526/00	DOUBLE ROBE HOOK POST, 208 SERIES	1
3	10972/00	HUB, TRANSITIONAL 3RING	1
4	10978/00	ESCUTCHEON HANDLE BASE COINED, 3RING, COINED SERIES	1
5	11050	MOUNTING KIT, WALL FLANGE	1
6	11083	EXTENSION FOR MOUNTING KIT	1
7	92230	THREADED ROD 10-24, 1-5/8" L	1
8	92234	SCREW FOR WOOD, PHIL, NO. 8 X 1-1/2" L	2
9	92235	ANCHOR FOR DRYWALL, TWIST-ACTION NO. 6-8 SIZE	2
10	92248	SET SCREW, CUP POINT 8-32 UNC, 1/8" L.	2
11	P39001	HEX KEY 5/64, FOR 8-32 SET SCREW	1

D4, A1	B	UPDATE DWG NAME, REMOVE MOUNTING SUBASSY, UPDATE MOUNT SCREWS/ ANCHOR & QTY	9/28/2020	AMM
ZONE	REV.	DESCRIPTION	DATE	APPROVED
REVISIONS				

1261 LOGAN AVENUE
 COSTA MESA, CALIFORNIA 92626
 PHONE: 714.361.4800
 FAX: 714.617.3120

PHYLIRICH[®]
 Defining Luxury Since 1959

PROPRIETARY AND CONFIDENTIAL
 THE INFORMATION CONTAINED IN THIS DRAWING IS THE SOLE PROPERTY OF PHYLIRICH. ANY REPRODUCTION IN PART OR AS A WHOLE WITHOUT THE WRITTEN PERMISSION OF PHYLIRICH IS PROHIBITED.

NEXT ASSY		USED ON		INTERPRET GEOMETRIC DIMENSIONING & TOLERANCING IN ACCORDANCE WITH ASME Y14.5-2009 & ASME Y14.41-2003 STANDARDS, UNLESS OTHERWISE SPECIFIED. DIMENSIONS ARE IN INCHES. TOLERANCES ARE: FRACTIONS ±1/16" DECIMALS X.X: ±.1 X.XX: ±.01 X.XXX: ±.005 ANGULAR ±2°
APPLICATION				
MATERIAL	NAME	DATE		
FINISH	DRAWN	LLO	9/24/2015	
DO NOT SCALE DRAWING		CHECKED	GRE	

ROBE HOOK, DOUBLE POST, COINED SERIES

SIZE	ASM/PRT NO.	REV
A	208-77/00	B
SCALE: 1:2	WEIGHT: lbs.	SHEET 1 OF 2