

5

4

3

2

1

E

E

D

D

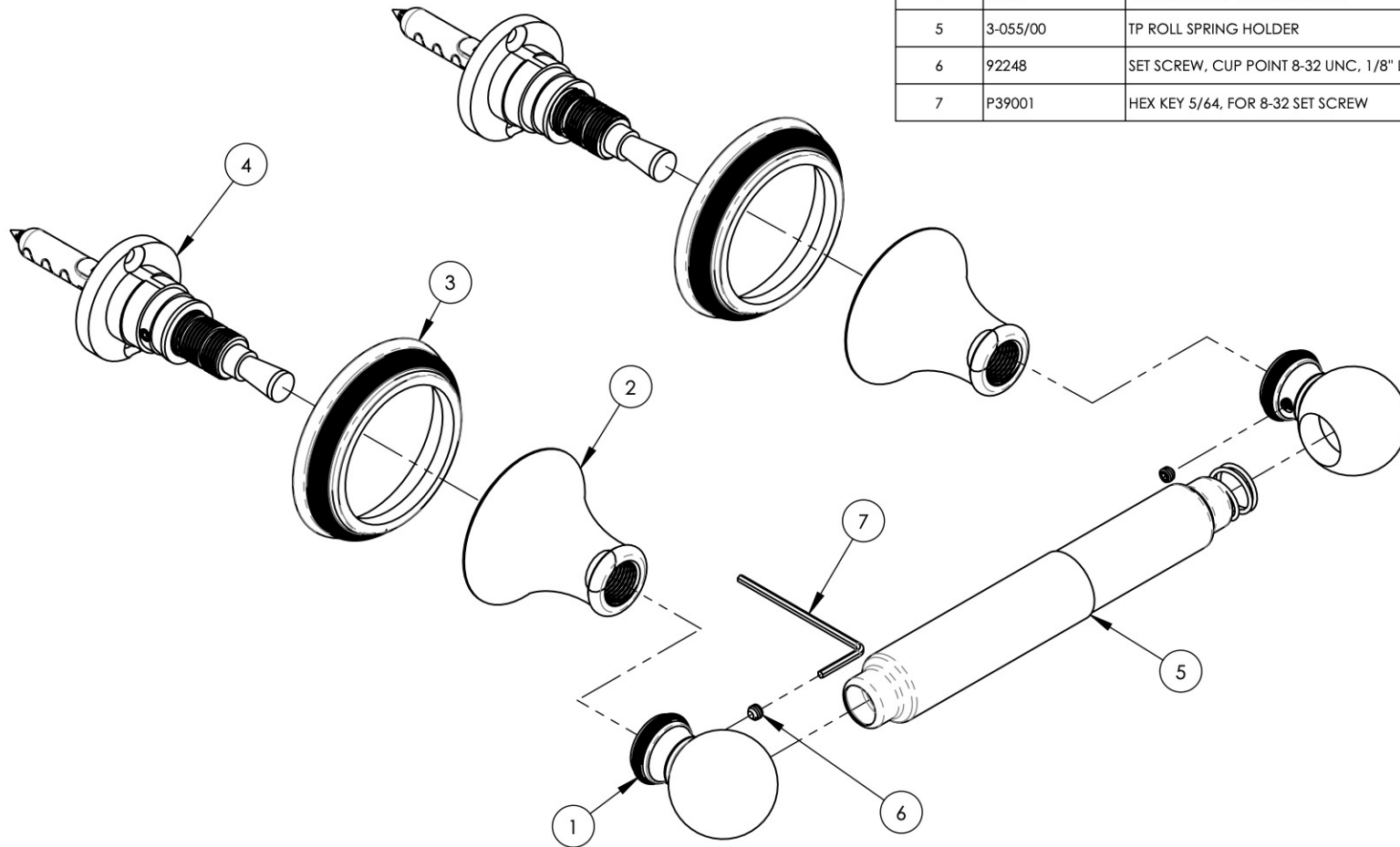
C

C

B

B

ITEM NO.	PART NUMBER	DESCRIPTION	QTY.
1	10492/00	POST TP HOLDER, COINED SERIES	2
2	10972/00	HUB, TRANSITIONAL 3RING	2
3	10978/00	ESCUTCHEON HANDLE BASE COINED, 3RING, COINED SERIES	2
4	2-104	MOUNTING KIT WITH EXTENSION	2
5	3-055/00	TP ROLL SPRING HOLDER	1
6	92248	SET SCREW, CUP POINT 8-32 UNC, 1/8" L.	2
7	P39001	HEX KEY 5/64, FOR 8-32 SET SCREW	1



ALL	A	UPDATE TEMPLATE	4/10/2020	AMM
ZONE	REV.	DESCRIPTION	DATE	APPROVED
REVISIONS				

1261 LOGAN AVENUE
COSTA MESA, CALIFORNIA 92626
PHONE: 714.361.4800
FAX: 714.617.3120

PHYL RICH[®]
Defining Luxury Since 1959

PROPRIETARY AND CONFIDENTIAL
THE INFORMATION CONTAINED IN THIS DRAWING IS THE SOLE PROPERTY OF PHYL RICH. ANY REPRODUCTION IN PART OR AS A WHOLE WITHOUT THE WRITTEN PERMISSION OF PHYL RICH IS PROHIBITED.

-	-	INTERPRET GEOMETRIC DIMENSIONING & TOLERANCING IN ACCORDANCE WITH ASME Y14.5-2009 & ASME Y14.41-2003 STANDARDS, UNLESS OTHERWISE SPECIFIED. DIMENSIONS ARE IN INCHES. TOLERANCES ARE:		
NEXT ASSY	USED ON	FRACTIONS ±1/16"	DECIMALS X.X: ±.1 X.XX: ±.01 X.XXX: ±.005	ANGULAR ±2°
APPLICATION		MATERIAL	NAME	DATE
FINISH		DRAWN	LLO	3/25/2014
DO NOT SCALE DRAWING		CHECKED	GRE	

PAPER HOLDER, COINED SERIES

SIZE	ASM/PRT NO.	REV
A	208-73/00	A
SCALE: 1:2	WEIGHT: lbs.	SHEET 1 OF 2

5

4

3

2

1

A

A