

5

4

3

2

1

ITEM NO.	PART NUMBER	DESCRIPTION	QTY.
1	10489/00	CABINET KNOB, BEADED	1
2	10490/00	BACK PLATE, BEADED	1
3	92094	SCREW, PAN HD 8-32 X 1.5"L	1

E

E

D

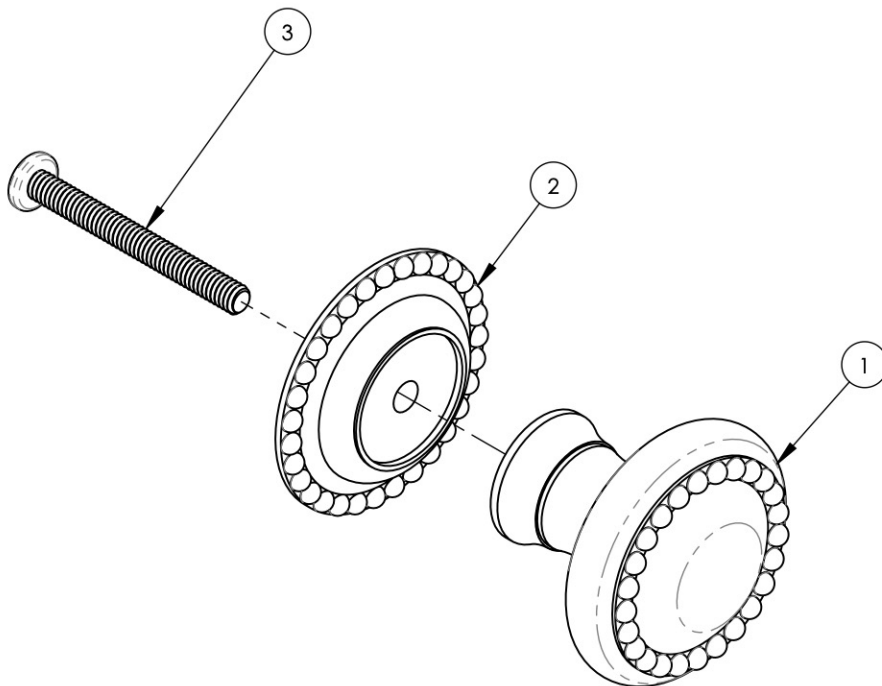
D

C

C

B

B



ALL	REV.	DESCRIPTION	DATE	APPROVED
ALL	A	UPDATE TEMPLATE	4/8/2020	AMM
REVISIONS				

1261 LOGAN AVENUE  
COSTA MESA, CALIFORNIA 92626  
PHONE: 714.361.4800  
FAX: 714.617.3120

**PHYL RICH**<sup>®</sup>  
Defining Luxury Since 1959

**PROPRIETARY AND CONFIDENTIAL**  
THE INFORMATION CONTAINED IN THIS DRAWING IS THE SOLE PROPERTY OF PHYL RICH. ANY REPRODUCTION IN PART OR AS A WHOLE WITHOUT THE WRITTEN PERMISSION OF PHYL RICH IS PROHIBITED.

-	-	INTERPRET GEOMETRIC DIMENSIONING & TOLERANCING IN ACCORDANCE WITH ASME Y14.5-2009 & ASME Y14.41-2003 STANDARDS, UNLESS OTHERWISE SPECIFIED. DIMENSIONS ARE IN INCHES. TOLERANCES ARE:		
NEXT ASSY	USED ON	<b>FRACTIONS</b> ±1/16"	<b>DECIMALS</b> X.X: ±.1 X.XX: ±.01 X.XXX: ±.005	<b>ANGULAR</b> ±2°
MATERIAL	APPLICATION	NAME	DATE	
FINISH	DRAWN	LLO	10/2/2015	
<b>DO NOT SCALE DRAWING</b>		CHECKED	GRE	

**CABINET KNOB, BEADED SERIES**

SIZE	ASM/PRT NO.	REV
<b>A</b>	207-90/00	<b>A</b>
SCALE: 1:1	WEIGHT: lbs.	SHEET 1 OF 2

5

4

3

2

1

A

A