

5

4

3

2

1

E

E

D

D

C

C

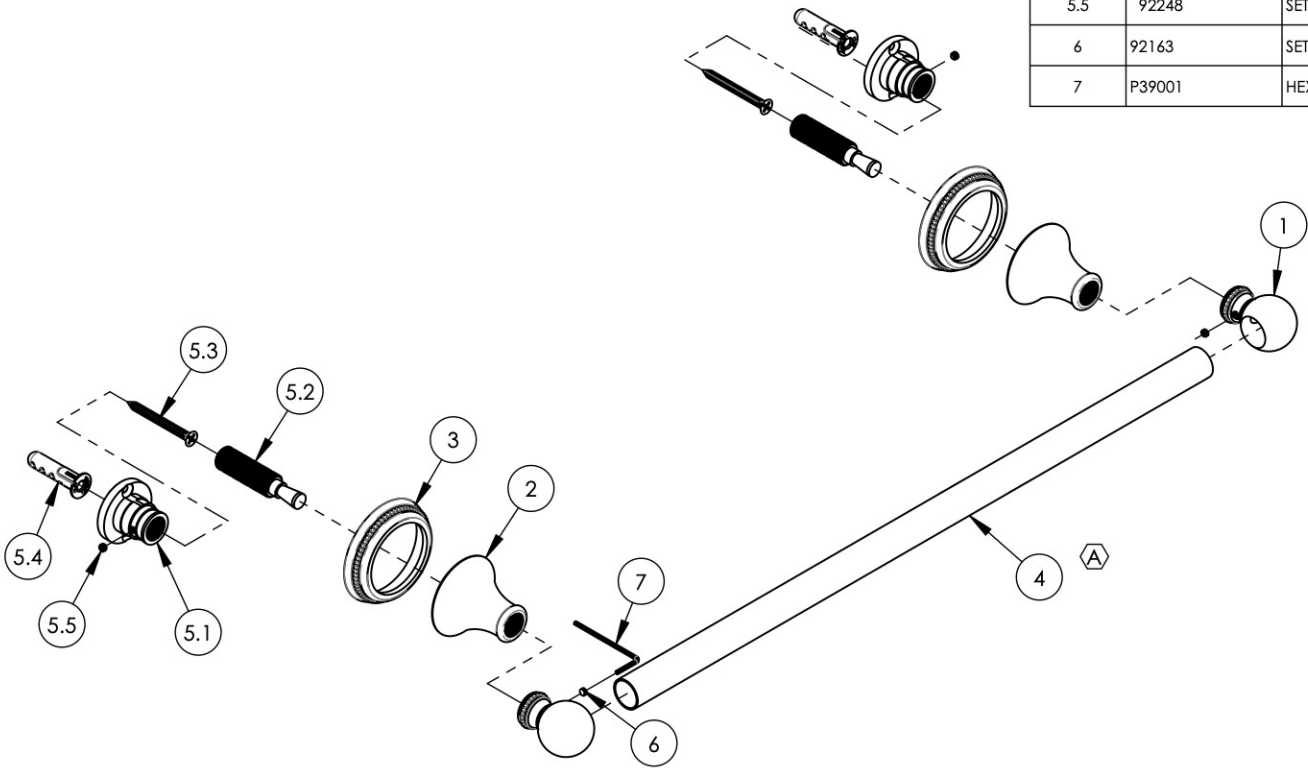
B

B

A

A

ITEM NO.	PART NUMBER	DESCRIPTION	QTY.
1	10536/00	POST TOWEL BARS, BEADED SERIES	2
2	10972/00	HUB, TRANSITIONAL 3RING	2
3	10973/00	ESCUTCHEON, BEADED HANDLE	2
4	11063/00	BAR TUBE, FOR 18" TOWEL BAR	1
5	2-104	MOUNTING KIT WITH EXTENSION	2
5.1	11050	MOUNTING KIT, WALL FLANGE	1
5.2	11083	EXTENSION FOR MOUNTING KIT	1
5.3	92043	SCREW, FLAT HD #10 SIZE W/ #2 PHIL DRIVE, 2"L	1
5.4	92046	ANCHOR SCREW 3/8" HOLE, TOGGLER AF10	1
5.5	92248	SET SCREW, CUP POINT 8-32 UNC, 1/8" L.	1
6	92163	SET SCREW, CONE PT 8-32 X 1/8" L	2
7	P39001	HEX KEY 5/64, FOR 8-32 SET SCREW	1



B3	A	TEMPLATE/ BAR UPDATED	4/7/2020	AMM
ZONE	REV.	DESCRIPTION	DATE	APPROVED
REVISIONS				

1261 LOGAN AVENUE
COSTA MESA, CALIFORNIA 92626
PHONE: 714.361.4800
FAX: 714.617.3120

PHYL RICH[®]
Defining Luxury Since 1959

PROPRIETARY AND CONFIDENTIAL
THE INFORMATION CONTAINED IN THIS DRAWING IS THE SOLE PROPERTY OF PHYL RICH. ANY REPRODUCTION IN PART OR AS A WHOLE WITHOUT THE WRITTEN PERMISSION OF PHYL RICH IS PROHIBITED.

-	-	INTERPRET GEOMETRIC DIMENSIONING & TOLERANCING IN ACCORDANCE WITH ASME Y14.5-2009 & ASME Y14.41-2003 STANDARDS, UNLESS OTHERWISE SPECIFIED. DIMENSIONS ARE IN INCHES. TOLERANCES ARE:		
NEXT ASSY	USED ON	FRACTIONS ±1/16"	DECIMALS X.X: ±.1 X.XX: ±.01 X.XXX: ±.005	ANGULAR ±2°
MATERIAL	APPLICATION	NAME	DATE	
FINISH	DRAWN	LLO	10/2/2015	
DO NOT SCALE DRAWING	CHECKED	GRE	3/25/2014	

18" TOWEL BAR, BEADED SERIES

SIZE	ASM/PRT NO.	REV
A	207-70/00	A
SCALE: 1:4.25	WEIGHT: lbs.	SHEET 1 OF 2

5

4

3

2

1