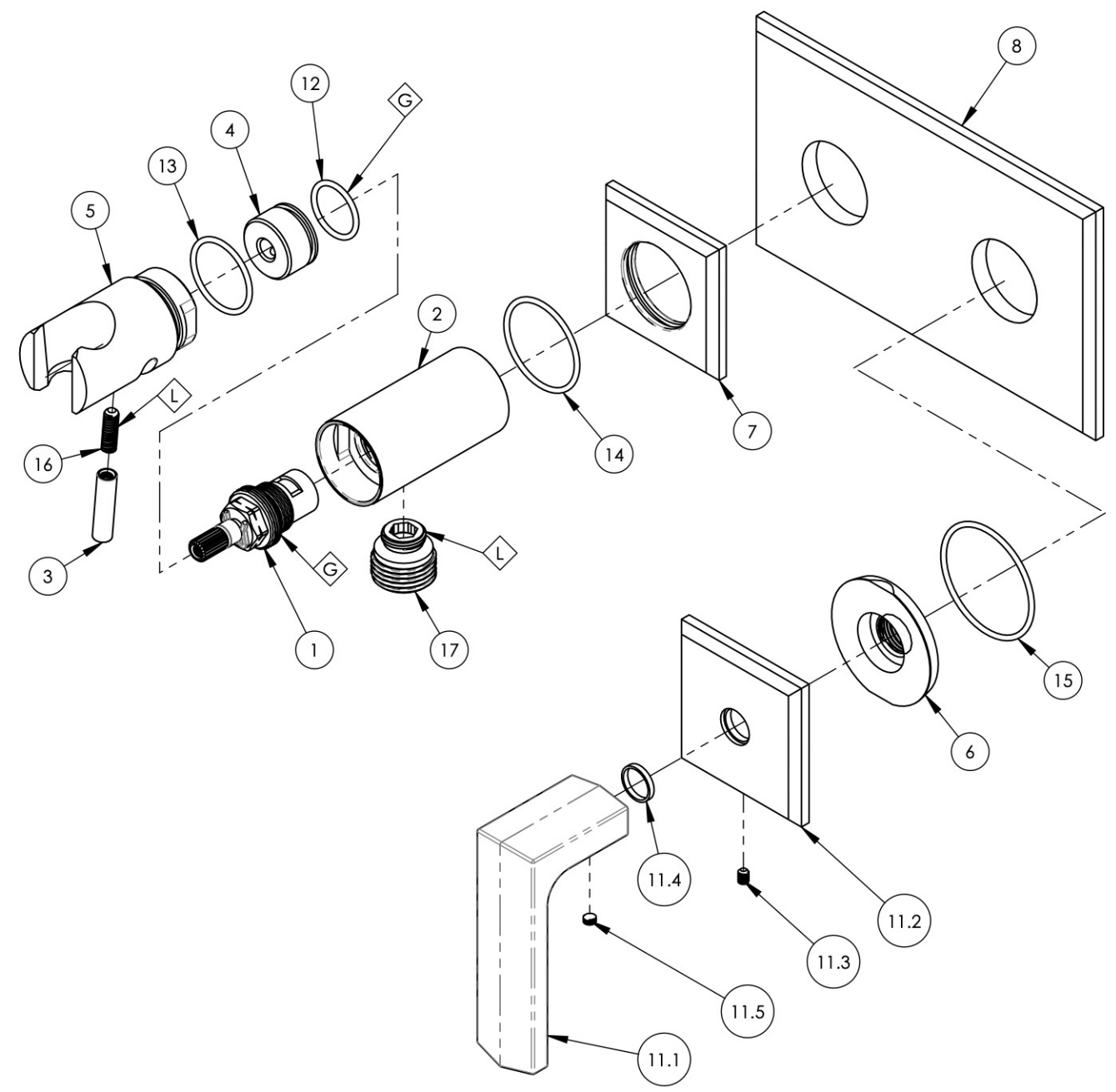
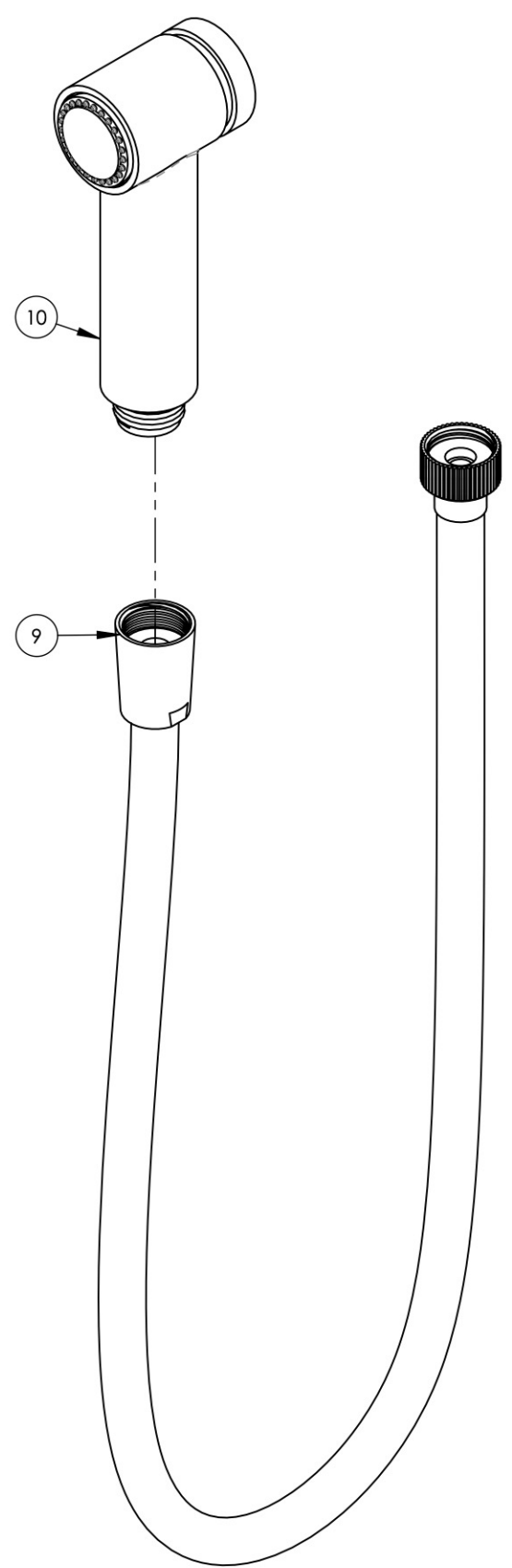


- NOTE(S):
1. APPLY NSF COMPLIANT GREASE TO ANY O-RING, SEALING JOINTS, AND/OR PIVOTAL POINTS. G
 2. APPLY NSF COMPLIANT LOCTITE TO THREADED AREA. L



ITEM NO.	PART NUMBER	DESCRIPTION	QTY.
1	10739	CARTRIDGE, VALVE 3/8" G RIGHT CLOSING	1
2	10859/00	BODY, HANDSHOWER HOLDER W/ INTEGRATED VOL. CTRL.	1
3	10861/00	HANDLE, LEVER 10-24 UNC	1
4	10862/00	HIDDEN HUB, HANDSHOWER VOL. CTRL.	1
5	10863/00	SHOWER HOOK, INTEGRATED HANDLE	1
6	11003	SLEEVE MOUNT, WALL MT WIDESPREAD	1
7	11773/00	SINGLE HOLE BIDET, ESCUTCHEON FLANGE, DIAMA	1
8	11778/00	TRIM PLATE, SINGLE HOLE BIDET, TWO HANDLE, DIAMA	1
9	3-049/00	ASSY. HOSE KIT, HANDSHOWER	1
10	3-410/00	ASSY, HAND SPRAY	1
11	3-596/00	ASSY, LEVER HANDLE, DIAMA	1
11.1	11769/00	LEVER HANDLE, DIAMA	1
11.2	11764/00	ESCUTCHEON, HANDLE, DIAMA	1
11.3	92005	SET SCREW, CUP PT 6-32 UNC THREAD 3/16" L	1
11.4	92176	WEAR WASHER	1
11.5	92163	SET SCREW, CONE PT 8-32 X 1/8" L	1
12	90017	O-RING, 11/16" ID X 13/16" OD X 1/16" THK, AS-568-017	1
13	90021	O-RING, 15/16" ID X 1-1/16" OD X 1/16" THK, AS-568-021	1
14	90025	O-RING, 1-3/16" ID X 1/16" THK, AS-568-025	1
15	90029	O-RING, 1-5/8" ID X 1-3/4" OD X 1/16" THK, AS-568-029	1
16	92152	SET SCREW, CUP PT. 10-24 UNC X 5/8" L	1
17	P18011/00	CONNECTOR OUTLET 1/2", HOUSING OV10	1

ALL	A	UPDATE TEMPLATE, ADD CALL OUTS	6/12/2020	AMM
ZONE	REV.	DESCRIPTION	DATE	APPROVED
REVISIONS				
		PHYLIRICH® Defining Luxury Since 1959 PROPRIETARY AND CONFIDENTIAL THE INFORMATION CONTAINED IN THIS DRAWING IS THE SOLE PROPERTY OF PHYLIRICH. ANY REPRODUCTION IN PART OR AS A WHOLE WITHOUT THE WRITTEN PERMISSION OF PHYLIRICH IS PROHIBITED.		

1261 LOGAN AVENUE
 COSTA MESA, CALIFORNIA 92626
 PHONE: 714.361.4800
 FAX: 714.617.3120

INTERPRET GEOMETRIC DIMENSIONING & TOLERANCING IN ACCORDANCE WITH ASME Y14.5-2009 & ASME Y14.41-2003 STANDARDS. UNLESS OTHERWISE SPECIFIED, DIMENSIONS ARE IN INCHES. TOLERANCES ARE:		
FRACTIONS ±1/16"	DECIMALS X.X: ±.1 X.XX: ±.01 X.XXX: ±.005	ANGULAR ±2°
NEXT ASSY	USED ON	APPLICATION
MATERIAL	NAME	DATE
FINISH	DRAWN	AMM 2/19/2019
CHECKED		

TRIM, WALL MOUNTED BIDET, LEVER HANDLE, DIAMA		
SIZE	ASM/PRT NO.	REV
B	184-65/00	A
SCALE: 1:2	WEIGHT: lbs.	SHEET 1 OF 2

DO NOT SCALE DRAWING