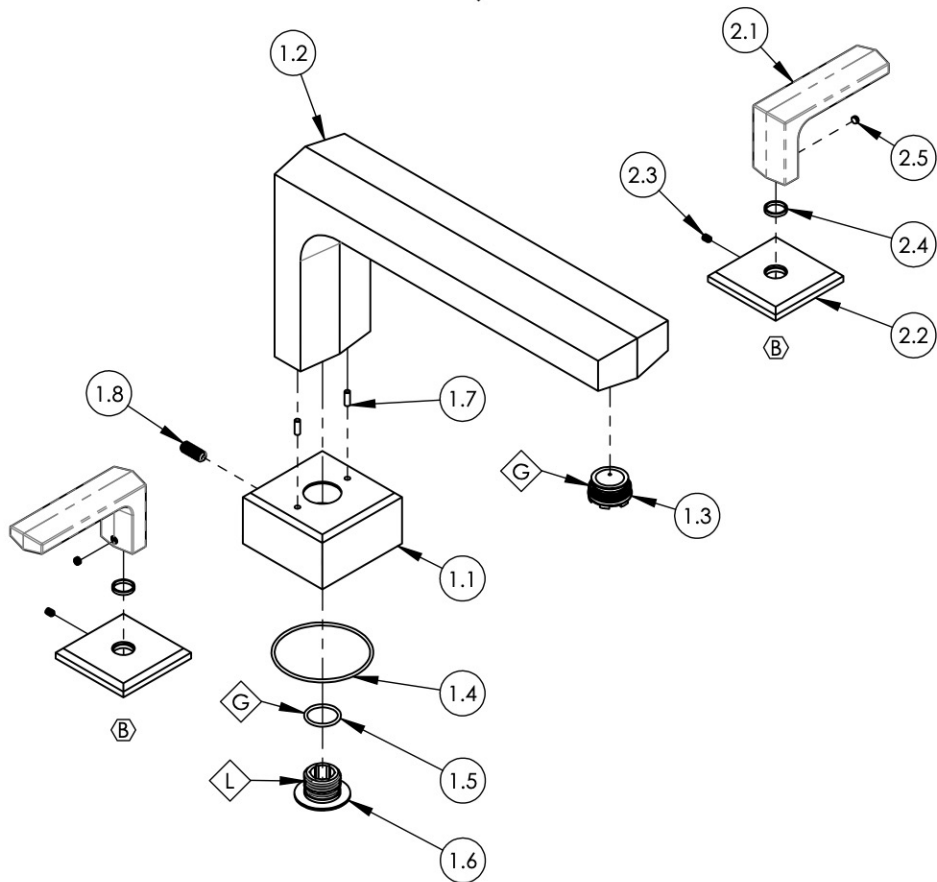


NOTE(S):

1. PART NUMBER, "/00" DENOTES PART SHALL HAVE FINISH.
2. APPLY NSF COMPLIANT GREASE TO ANY O-RING, SEALING JOINTS, AND/OR PIVOTAL POINTS. G
3. APPLY NSF COMPLIANT LOCTITE TO THREADED AREA. L
4. APPLY NSF COMPLIANT REMOVABLE (BLUE) LOCTITE TO THREADED AREA. B
5. SILVER SOLDER JOINTS SHALL BE FULLY WETTED VIA CAPILLARY ACTION AND COMPLETELY NON-POROUS. S

ITEM NO.	PART NUMBER	DESCRIPTION	QTY.
1	3-592/00	ASSY, SPOUT, DECK TUB, DIAMA	1
1.1	11767/00	ESCUTCHEON, SPOUT, DECK TUB, DIAMA	1
1.2	11774/00	SPOUT, DECK TUB, DIAMA	1
1.3	P05051	AERATOR, CACHE COINED SLOT M24X1.0 FULL FLOW	1
1.4	90034	O-RING, 2-1/8"ID X 2-1/4"OD X 1/16"THK, AS-568-034	1
1.5	90017	O-RING, 11/16"ID X 13/16"OD X 1/16"THK, AS-568-017	1
1.6	11220	SPUD SCREW, 1/2"-NPSM CONNECTOR	1
1.7	92158	DOWEL PIN, 1/8" X 3/8"L	2
1.8	92262	SET SCREW, CUP PT 1/4"-20 X 5/8"L	1
2	3-596/00	ASSY, LEVER HANDLE, DIAMA	2
2.1	11769/00	LEVER HANDLE, DIAMA	1
2.2	11764/00	ESCUTCHEON, HANDLE, DIAMA	1
2.3	92005	SET SCREW, CUP PT 6-32 UNC THREAD 3/16"L	1
2.4	92176	WEAR WASHER	1
2.5	92163	SET SCREW, CUP PT 8-32 X 1/8"L	1



ZONE	REV.	DESCRIPTION	DATE	APPROVED
B5, C3	B	REMOVED FLUSH MOUNT & O-RING	1/12/2023	LFV
ALL	A	UPDATE TEMPLATE, ADD CALL OUTS	6/12/2020	AMM
REVISIONS				

1261 LOGAN AVENUE  
COSTA MESA, CALIFORNIA 92626  
PHONE: 714.361.4800  
FAX: 714.617.3120

**PHYLIRICH**  
D.L. Long & Associates

**PROPRIETARY AND CONFIDENTIAL**  
THE INFORMATION CONTAINED IN THIS DRAWING IS THE SOLE PROPERTY OF PHYLIRICH. ANY REPRODUCTION IN PART OR AS A WHOLE WITHOUT THE WRITTEN PERMISSION OF PHYLIRICH IS PROHIBITED.  
**DO NOT SCALE DRAWING**

DECK TUB, LEVER HANDLES, DIAMA

SIZE <b>A</b>	ASM/PRT NO. 184-41/00	REV B
SCALE: 1:4.25	WEIGHT: lbs.	SHEET 1 OF 2