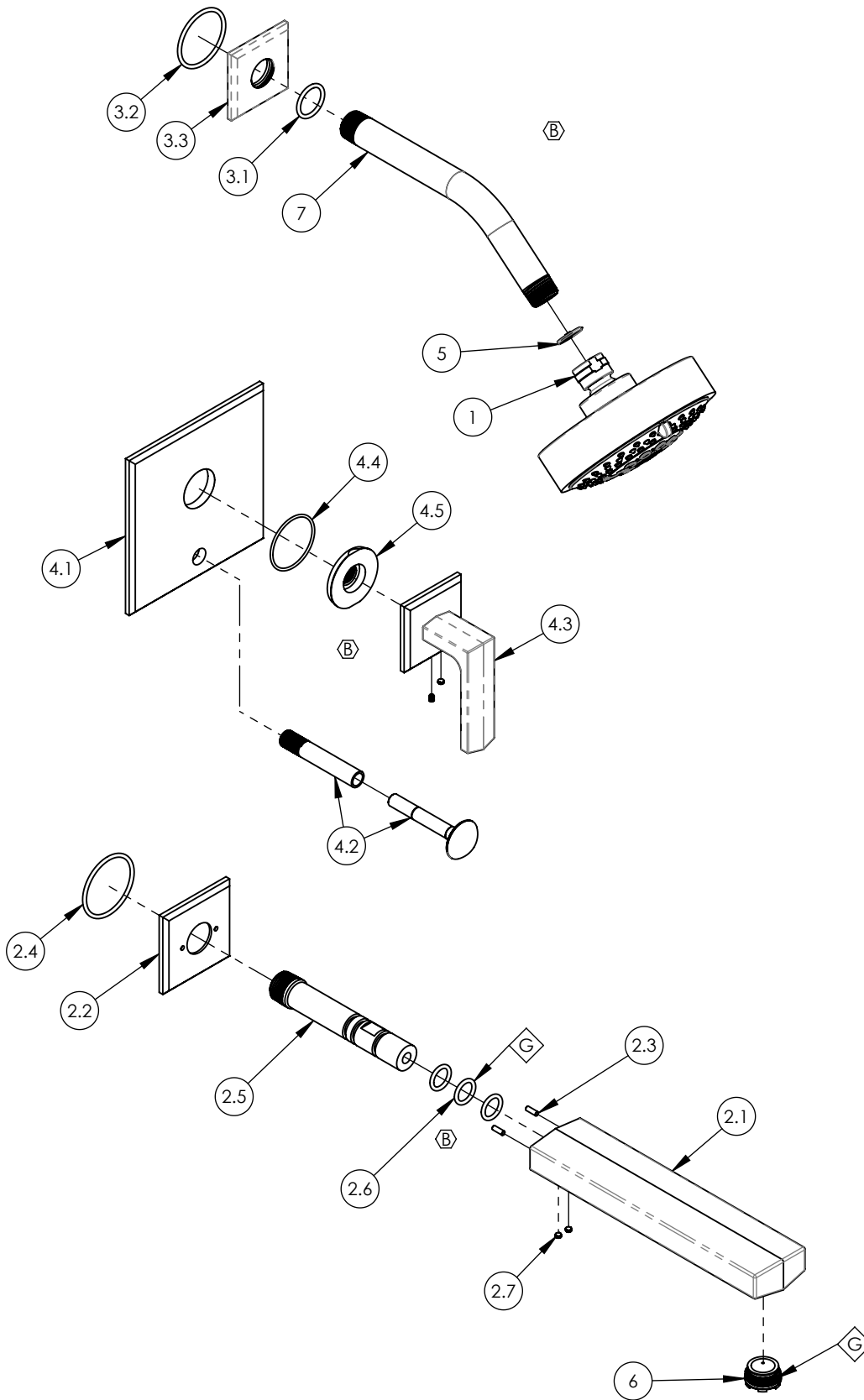


- NOTE(S):
- PART NUMBER, "/00" DENOTES PART SHALL HAVE FINISH.
 - APPLY NSF COMPLIANT GREASE TO ANY O-RING, SEALING JOINTS, AND/OR PIVOTAL POINTS. G
 - APPLY NSF COMPLIANT LOCTITE TO THREADED AREA: L
 - APPLY NSF COMPLIANT REMOVABLE (BLUE) LOCTITE TO THREADED AREA: B
 - SILVER SOLDER JOINTS SHALL BE FULLY WETTED VIA CAPILLARY ACTION AND COMPLETELY NON-POROUS. S
 - FOR DEEPER ESCUTCHEON:
 - 3-598/00 B
 - 92401 B



ITEM NO.	PART NUMBER	DESCRIPTION	QTY.
1	3-454/00	SHOWER HEAD MULTI. FUNC. CONTEMP.	1
2	3-597/00	ASSY, WALL SPOUT, DIAMA	1
2.1	11780/00	SPOUT, WALL TUB, DIAMA	1
2.2	11768/00	ESCUTCHEON, SPOUT, WALL LAV, DIAMA	1
2.3	92158	DOWEL PIN, 1/8" X 3/8"L	2
2.4	90131	O-RING, 1-11/16ID X 3/32THK, AS-568-131	1
2.5	10013	INJECTOR SHANK, 1/2"NPT MALE TO M16.5 CACHE W/ O-SEAL	1
2.6	90113	O-RING, 9/16"ID X 3/4"OD X 3/32"THK, AS-568-113	3
2.7	92163	SET SCREW, CUP PT 8-32 X 1/8"L	2
3	3-714/00	SHOWER FLANGE, DIAMA	1
3.1	90117	O-RING, 7/8"ID X 33/32"THK., AS-568-117	1
3.2	90129	O-RING, 1-9/16"ID X 3/32THK, AS-568-129	1
3.3	11765/00	ESCUTCHEON, SHOWER FLANGE, DIAMA	1
4	4-562/00	SHOWER PLATE, LEVER HANDLE, DIVERTED, TRIM ONLY, DIAMA	1
4.1	11772/00	SHOWER TRIM PLATE W/ DIVERTER HOLE, DIAMA	1
4.2	3-125/00	DIVERTER EXTENSION ASSY FOR PB TUB & SHOWER SET	1
4.3	3-596/00	ASSY, LEVER HANDLE, DIAMA	1
4.4	90029	O-RING, 1-5/8"ID X 1-3/4"OD X 1/16"THK, AS-568-029	1
4.5	11003	SLEEVE MOUNT, WALL MT WIDESPREAD	1
5	11432	1.75 GPM FLOW REGULATOR	1
6	P05051	AERATOR, CACHE COINED SLOT M24X1.0 FULL FLOW	1
7	P16008/00	SHOWER ARM (8 INCH)	1

ALL	B	UPDATE SLEEVE MOUNT & HANDLE ASSY, ADD NOTE, UPATE O-RINGS, REMOVE SHOWER SUBASSY, ADD FLANGE ASSY.	2/23/2021	AMM
ZONE	REV.	DESCRIPTION	DATE	APPROVED
REVISIONS				

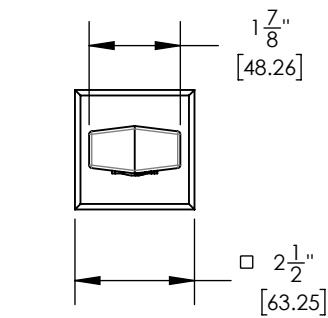
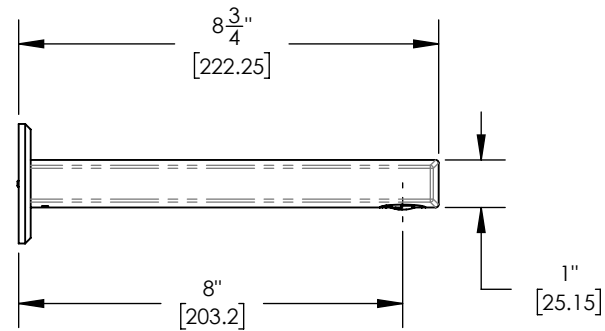
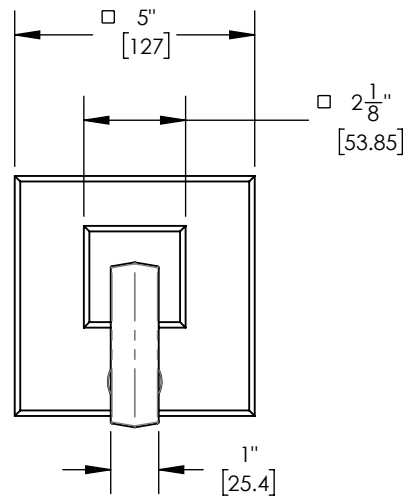
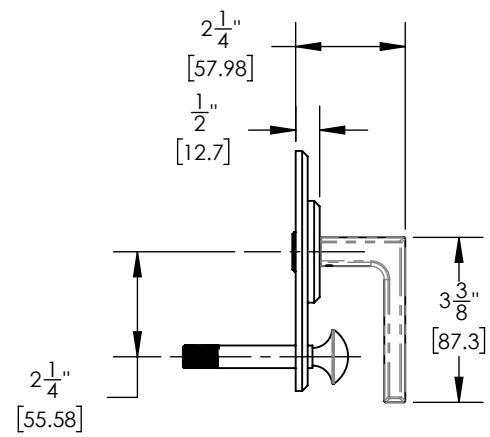
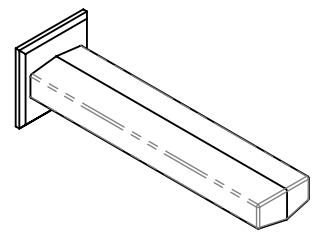
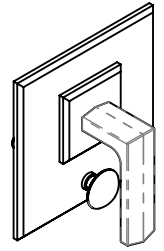
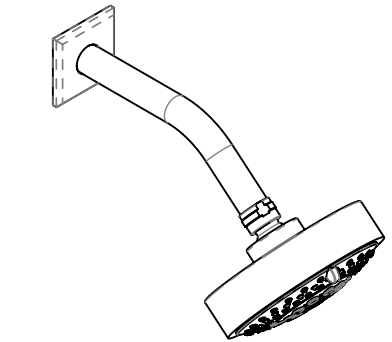
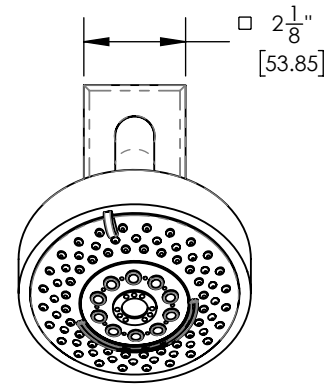
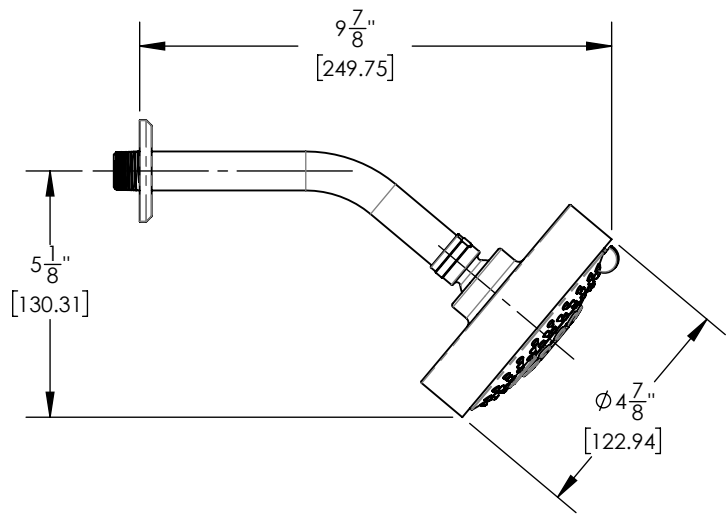
1261 LOGAN AVENUE
COSTA MESA, CALIFORNIA 92626
PHONE: 714.361.4800
FAX: 714.617.3120

PHYLIRICH
Defining Luxury Since 1959

PROPRIETARY AND CONFIDENTIAL
THE INFORMATION CONTAINED IN THIS DRAWING IS THE SOLE PROPERTY OF PHYLIRICH. ANY REPRODUCTION IN PART OR AS A WHOLE WITHOUT THE WRITTEN PERMISSION OF PHYLIRICH IS PROHIBITED.
DO NOT SCALE DRAWING

PB SHOWER SET, TUB-SHOWER, LEVER HANDLE, DIAMA

SIZE	ASM/PRT NO.	REV
B	184-27/00	B
SCALE: 1:4.25	WEIGHT: lbs.	SHEET 1 OF 2



1261 LOGAN AVENUE
COSTA MESA, CALIFORNIA 92626
PHONE: 714.361.4800
FAX: 714.617.3120

PHYLIRICH[®]
Defining Luxury Since 1959

PROPRIETARY AND CONFIDENTIAL
THE INFORMATION CONTAINED IN THIS DRAWING IS THE SOLE PROPERTY OF PHYLIRICH. ANY REPRODUCTION IN PART OR AS A WHOLE WITHOUT THE WRITTEN PERMISSION OF PHYLIRICH IS PROHIBITED.
DO NOT SCALE DRAWING

PB SHOWER SET, TUB-SHOWER, LEVER HANDLE, DIAMA

SIZE	ASM/PRT NO.	REV
B	184-27/00	B
SCALE: 1:4	WEIGHT: lbs.	SHEET 2 OF 2