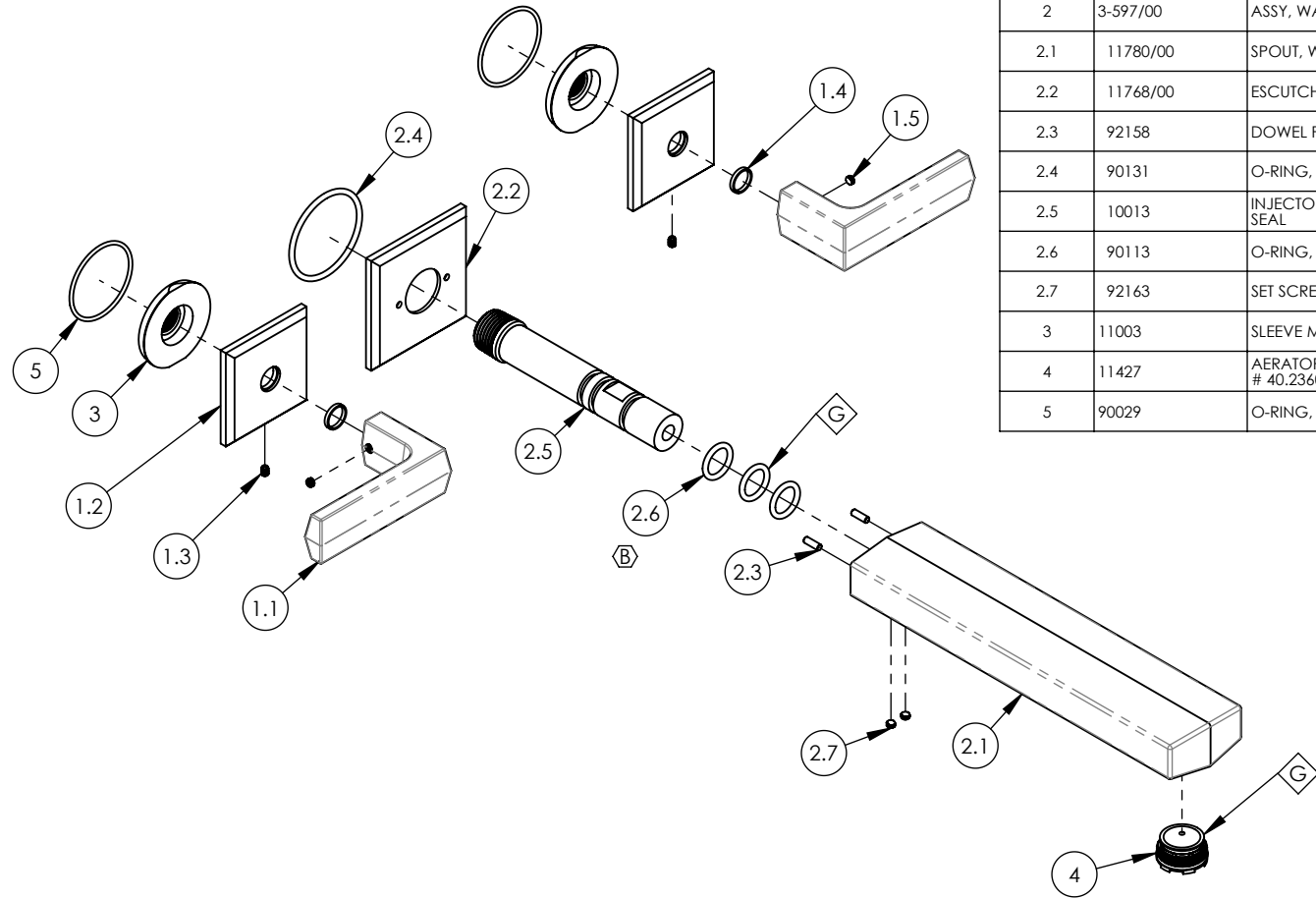


- NOTE(S):
1. PART NUMBER, "/00" DENOTES PART SHALL HAVE FINISH.
 2. APPLY NSF COMPLIANT GREASE TO ANY O-RING, SEALING JOINTS, AND/OR PIVOTAL POINTS.
 3. APPLY NSF COMPLIANT LOCTITE TO THREADED AREA.
 4. APPLY NSF COMPLIANT REMOVABLE (BLUE) LOCTITE TO THREADED AREA.
 5. SILVER SOLDER JOINTS SHALL BE FULLY WETTED VIA CAPILLARY ACTION AND COMPLETELY NON-POROUS.



| ITEM NO. | PART NUMBER | DESCRIPTION | QTY. |
|----------|-------------|--|------|
| 1 | 3-596/00 | ASSY, LEVER HANDLE, DIAMA | 2 |
| 1.1 | 11769/00 | LEVER HANDLE, DIAMA | 1 |
| 1.2 | 11764/00 | ESCUTCHEON, HANDLE, DIAMA | 1 |
| 1.3 | 92005 | SET SCREW, CUP PT 6-32 UNC THREAD 3/16"L | 1 |
| 1.4 | 92176 | WEAR WASHER | 1 |
| 1.5 | 92163 | SET SCREW, CUP PT 8-32 X 1/8"L | 1 |
| 2 | 3-597/00 | ASSY, WALL SPOUT, DIAMA | 1 |
| 2.1 | 11780/00 | SPOUT, WALL TUB, DIAMA | 1 |
| 2.2 | 11768/00 | ESCUTCHEON, SPOUT, WALL LAV, DIAMA | 1 |
| 2.3 | 92158 | DOWEL PIN, 1/8" X 3/8"L | 2 |
| 2.4 | 90131 | O-RING, 1-11/16ID X 3/32THK, AS-568-131 | 1 |
| 2.5 | 10013 | INJECTOR SHANK, 1/2"NPT MALE TO M16.5 CACHE W/ O-SEAL | 1 |
| 2.6 | 90113 | O-RING, 9/16"ID X 3/4"OD X 3/32"THK, AS-568-113 | 3 |
| 2.7 | 92163 | SET SCREW, CUP PT 8-32 X 1/8"L | 2 |
| 3 | 11003 | SLEEVE MOUNT, WALL MT WIDESPREAD | 2 |
| 4 | 11427 | AERATOR, CACHE REG, PINK 1.2 GPM, M24X1.0, NEOPERL # 40.2360.010 | 1 |
| 5 | 90029 | O-RING, 1-5/8"ID X 1-3/4"OD X 1/16"THK, AS-568-029 | 2 |

| ZONE | REV. | DESCRIPTION | DATE | APPROVED |
|-----------|------|----------------|-----------|----------|
| C4 | B | UPDATE O-RINGS | 6/10/2021 | AMM |
| REVISIONS | | | | |

1261 LOGAN AVENUE
COSTA MESA, CALIFORNIA 92626
PHONE: 714.361.4800
FAX: 714.617.3120

PHYLIRICH[®]
Defining Luxury Since 1959

PROPRIETARY AND CONFIDENTIAL
THE INFORMATION CONTAINED IN THIS DRAWING IS THE SOLE PROPERTY OF PHYLIRICH. ANY REPRODUCTION IN PART OR AS A WHOLE WITHOUT THE WRITTEN PERMISSION OF PHYLIRICH IS PROHIBITED.
DO NOT SCALE DRAWING

WALL LAV, LEVER HANDLES, DIAMA

| | | |
|------------------|--------------------------|--------------|
| SIZE A | ASM/PRT NO. 184-12/00 | REV B |
| SCALE: 1:3.5 | WEIGHT: lbs. | SHEET 1 OF 2 |

5

4

3

2

1

E

E

D

D

C

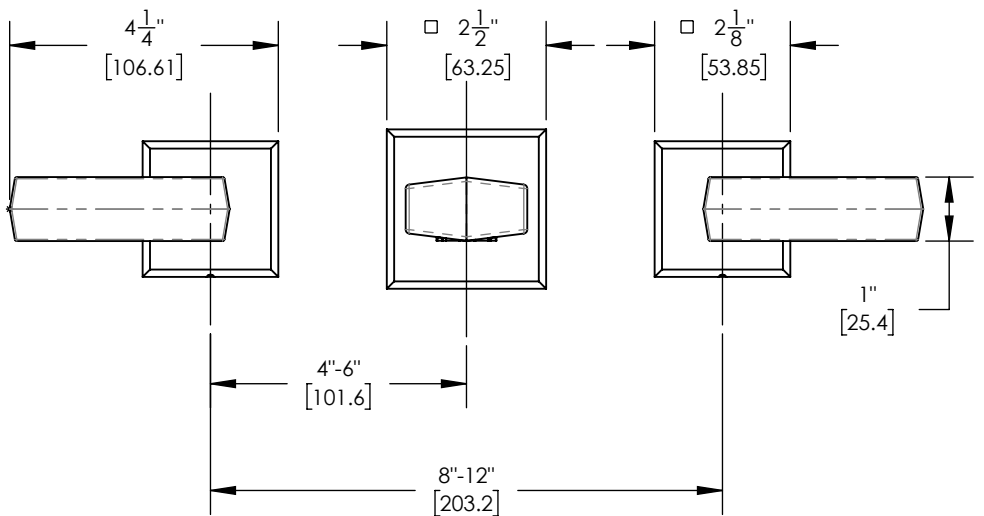
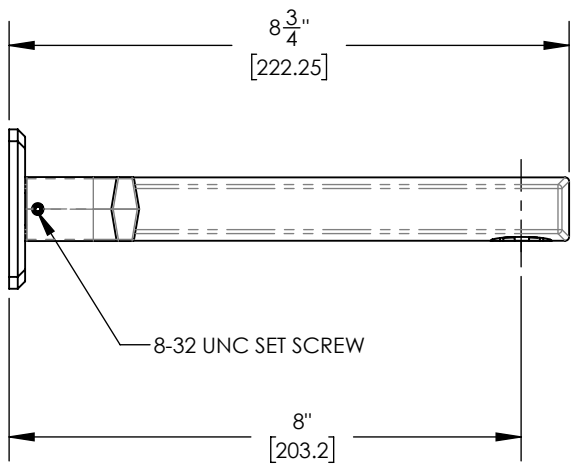
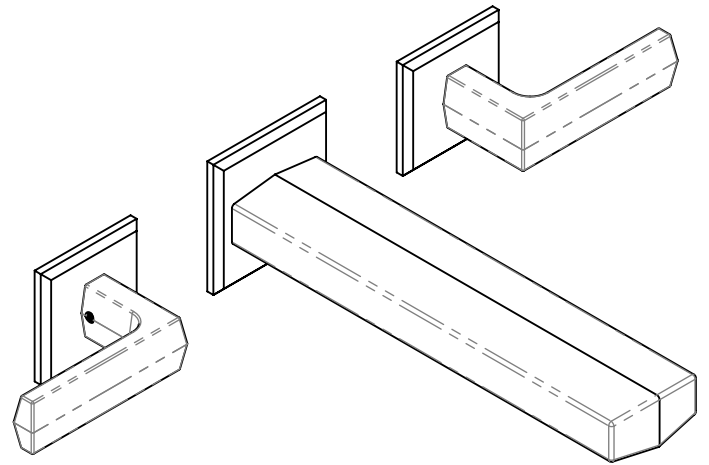
C

B

B

A

A



1261 LOGAN AVENUE
 COSTA MESA, CALIFORNIA 92626
 PHONE: 714.361.4800
 FAX: 714.617.3120

PHYLIRICH[®]
 Defining Luxury Since 1959

PROPRIETARY AND CONFIDENTIAL
 THE INFORMATION CONTAINED IN THIS DRAWING IS THE SOLE PROPERTY OF PHYLIRICH. ANY REPRODUCTION IN PART OR AS A WHOLE WITHOUT THE WRITTEN PERMISSION OF PHYLIRICH IS PROHIBITED.
DO NOT SCALE DRAWING

WALL LAV, LEVER HANDLES, DIAMA

| | | |
|------------------|--------------------------|--------------|
| SIZE A | ASM/PRT NO. 184-12/00 | REV B |
| SCALE: 1:3 | WEIGHT: lbs. | SHEET 2 OF 2 |

5

4

3

2

1