

NOTE(S):  
1. PART NUMBER, "/00" DENOTES PART SHALL HAVE FINISH.

2. APPLY NSF COMPLIANT GREASE TO ANY O-RING, SEALING JOINTS, AND/OR PIVOTAL POINTS.

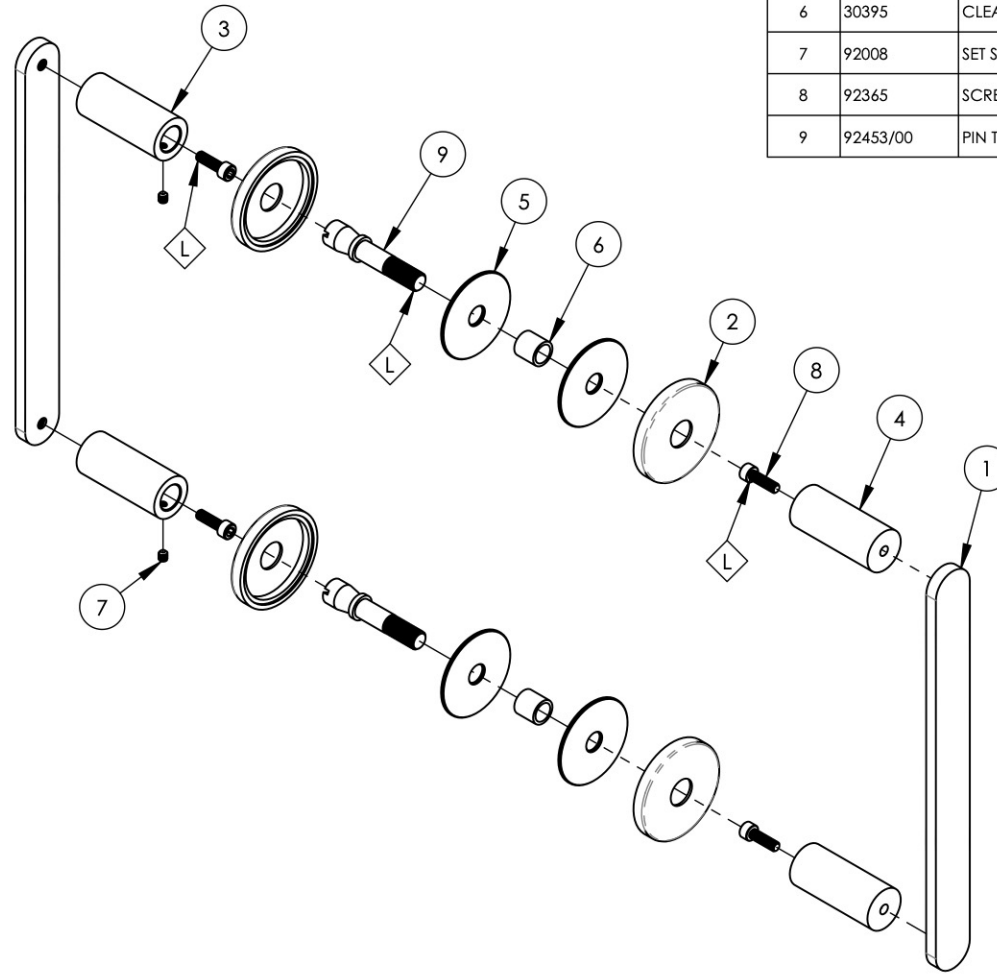
3. APPLY NSF COMPLIANT LOCTITE TO THREADED AREA.

4. APPLY NSF COMPLIANT REMOVABLE (BLUE) LOCTITE TO THREADED AREA.

5. SILVER SOLDER JOINTS SHALL BE FULLY WETTED VIA CAPILLARY ACTION AND COMPLETELY NON-POROUS.



ITEM NO.	PART NUMBER	DESCRIPTION	QTY.
1	12079/00	BAR FOR SHOWER PULL, 8" C2C, ROND	2
2	12085/00	ESCUTCHEON, ACCESSORIES, ROND	4
3	12087/00	POST EXTENSION, ACCESSORIES, ROND	2
4	12088/00	POST EXTENSION, OUTSIDE, SHOWER PULL, ROND	2
5	30394	WASHER, CLEAR PLASTIC, OD 1.750 X .384 ID X .065 THK	4
6	30395	CLEAR TUBE, UV-RESISTANT PVC	2
7	92008	SET SCREW, CUP POINT 8-32, 3/16" L.	2
8	92365	SCREW, SOCKET HD, 10-32 X 5/8" L	4
9	92453/00	PIN THRU GLASS, SHOWER ENCLOSURE PULL	2



ZONE	REV.	DESCRIPTION	DATE	APPROVED
REVISIONS				

1261 LOGAN AVENUE  
COSTA MESA, CALIFORNIA 92626  
PHONE: 714.361.4800  
FAX: 714.617.3120

**PHYLIRICH**<sup>®</sup>  
Defining Luxury Since 1959

**PROPRIETARY AND CONFIDENTIAL**  
THE INFORMATION CONTAINED IN THIS DRAWING IS THE SOLE PROPERTY OF PHYLIRICH. ANY REPRODUCTION IN PART OR AS A WHOLE WITHOUT THE WRITTEN PERMISSION OF PHYLIRICH IS PROHIBITED.  
**DO NOT SCALE DRAWING**

SHOWER DOOR PULL, 8" BACK TO BACK, ROND

SIZE <b>A</b>	ASM/PRT NO. 183-93-08/00	REV
SCALE: 1:3.5	WEIGHT: lbs.	SHEET 1 OF 2