

NOTE(S):
1. PART NUMBER, "/00" DENOTES PART SHALL HAVE FINISH.

2. APPLY NSF COMPLIANT GREASE TO ANY O-RING, SEALING JOINTS, AND/OR PIVOTAL POINTS.

3. APPLY NSF COMPLIANT LOCTITE TO THREADED AREA.

4. APPLY NSF COMPLIANT REMOVABLE (BLUE) LOCTITE TO THREADED AREA.

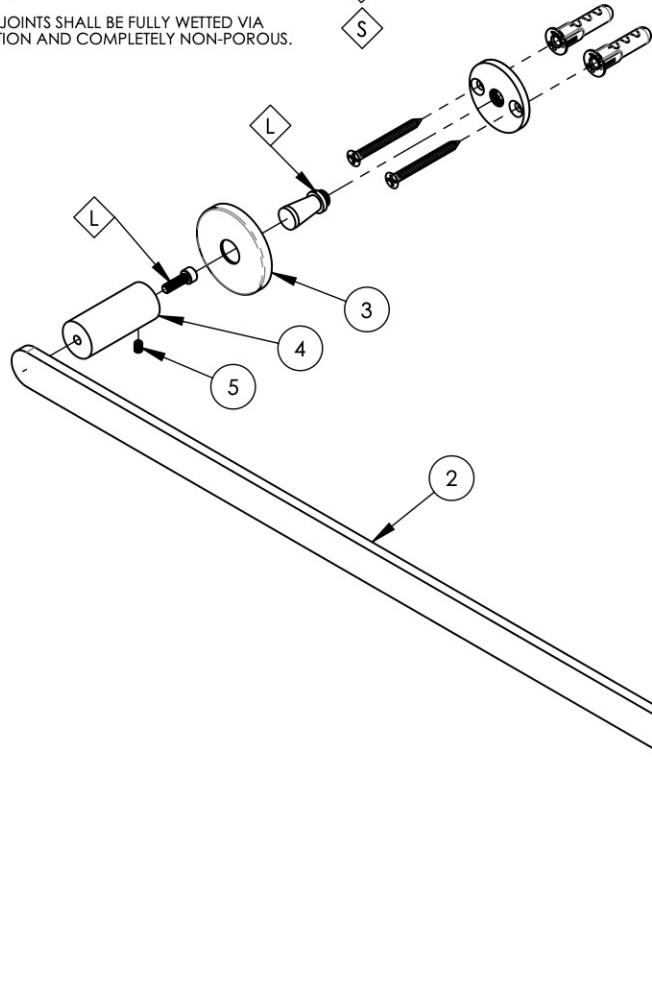
5. SILVER SOLDER JOINTS SHALL BE FULLY WETTED VIA CAPILLARY ACTION AND COMPLETELY NON-POROUS.

G

L

B

S



ITEM NO.	PART NUMBER	DESCRIPTION	QTY.
1	2-264	WALL MOUNTING KIT	2
1.1	92355	WALL MOUNT PLATE, TOWEL BAR, RADI	1
1.2	92046	ANCHOR SCREW 3/8" HOLE, TOGGLER AF10	2
1.3	92043	SCREW, FLAT HD #10 SIZE W/ #2 PHIL DRIVE, 2"L	2
1.4	92355	WALL MOUNT BUNG, TOWEL BAR, RADI	1
2	12083/00	BAR FOR TOWEL ACCESSORIES 30"C2C, ROND	1
3	12085/00	ESCUTCHEON, ACCESSORIES, ROND	2
4	12087/00	POST EXTENSION, ACCESSORIES, ROND	2
5	92162	SET SCREW, CUP PT. 8-32 UNC X 1/4"L	2
6	92365	SCREW, SOCKET HD, 10-32 X 5/8" L	2

ZONE	REV.	DESCRIPTION	DATE	APPROVED
REVISIONS				

1261 LOGAN AVENUE
COSTA MESA, CALIFORNIA 92626
PHONE: 714.361.4800
FAX: 714.617.3120

PHYL RICH[®]
Defining Luxury Since 1959

PROPRIETARY AND CONFIDENTIAL
THE INFORMATION CONTAINED IN THIS DRAWING IS THE SOLE PROPERTY OF PHYL RICH. ANY REPRODUCTION IN PART OR AS A WHOLE WITHOUT THE WRITTEN PERMISSION OF PHYL RICH IS PROHIBITED.

-	-	INTERPRET GEOMETRIC DIMENSIONING & TOLERANCING IN ACCORDANCE WITH ASME Y14.5-2009 & ASME Y14.41-2003 STANDARDS, UNLESS OTHERWISE SPECIFIED. DIMENSIONS ARE IN INCHES. TOLERANCES ARE:		
NEXT ASSY	USED ON	FRACTIONS ±1/16"	DECIMALS X.X: ±.1 X.XX: ±.01 X.XXX: ±.005	ANGULAR ±2°
APPLICATION		MATERIAL	NAME	DATE
FINISH		DRAWN	RAH	1/30/2018
DO NOT SCALE DRAWING		CHECKED		

ACCESSORIES TOWEL BAR 30", ROND

SIZE	ASM/PRT NO.	REV
A	183-72/00	-

SCALE: 1:4 WEIGHT: lbs. SHEET 1 OF 2