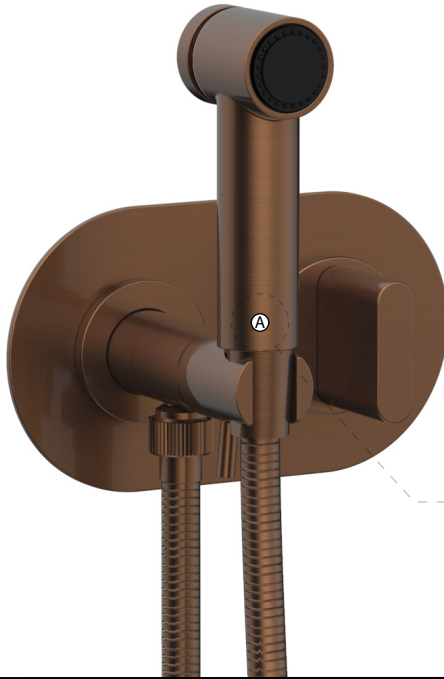


183-64

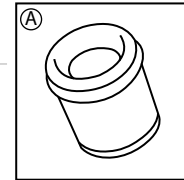


■ **PRODUCT FEATURES**

- Style: Contemporary
- Collection: Rond
- Temperature Controlled By Handles
- Blade Handle
-
-

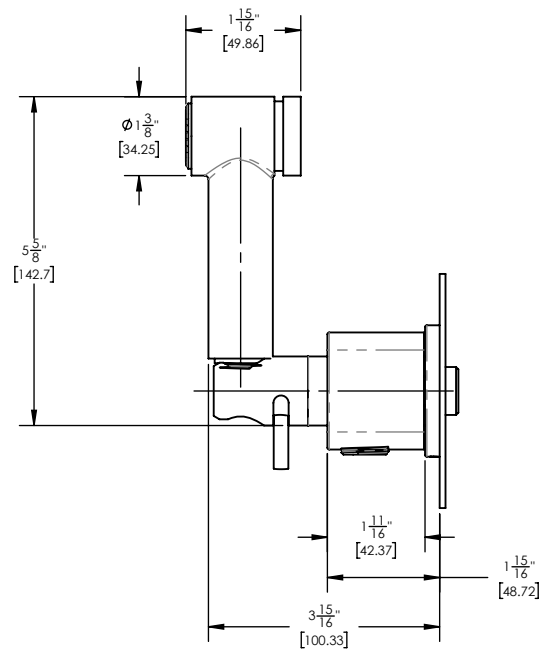
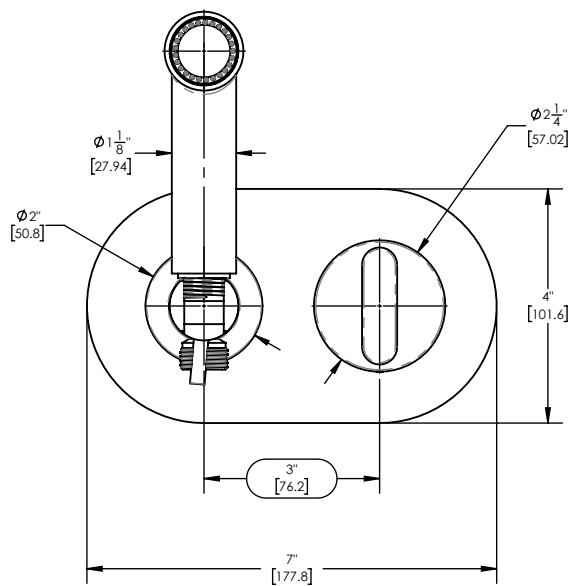
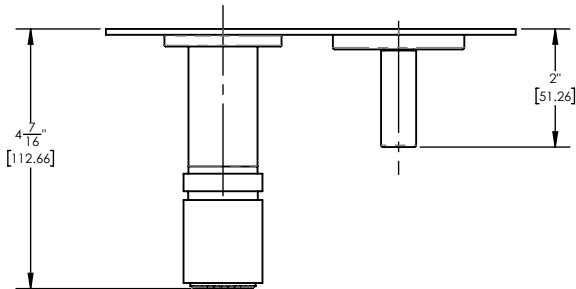
■ **TECHNICAL DETAILS**

Number of Handles: 1
 Handle Turn Angle: Quarter Turn
 Installation Type: Wall Mounted
 Primary Material: Brass
 Valve Material: Ceramic
 Flow Restriction: 1.8 GPM
 Water Pressure Maximum: 85 PSI
 Water Pressure Minimum: 20 PSI
 Water Pressure Recommended: 60 PSI



CV 14 FR-US -
 1.5 to 2.5 gpm
 Flow Regulating Check Valve -
 Pressure Compensating
 Combines check valve and
 flow regulator

■ **PRODUCT DIMENSIONS**



www.phylrich.com

1261 Logan Avenue, Costa Mesa, California 92626.
 Phone: 714.361.4800 Fax: 714.617.3120

Rev-



CODES & STANDARDS

ASME A11.181/ CSA B1251, ASME 112.18.2/ CSA B125.2, ANSI NSF, CEC

WARRANTY

Mechanical Warranty: 10 Years from date of purchase.
 Finish Warranty: See catalog for further information.