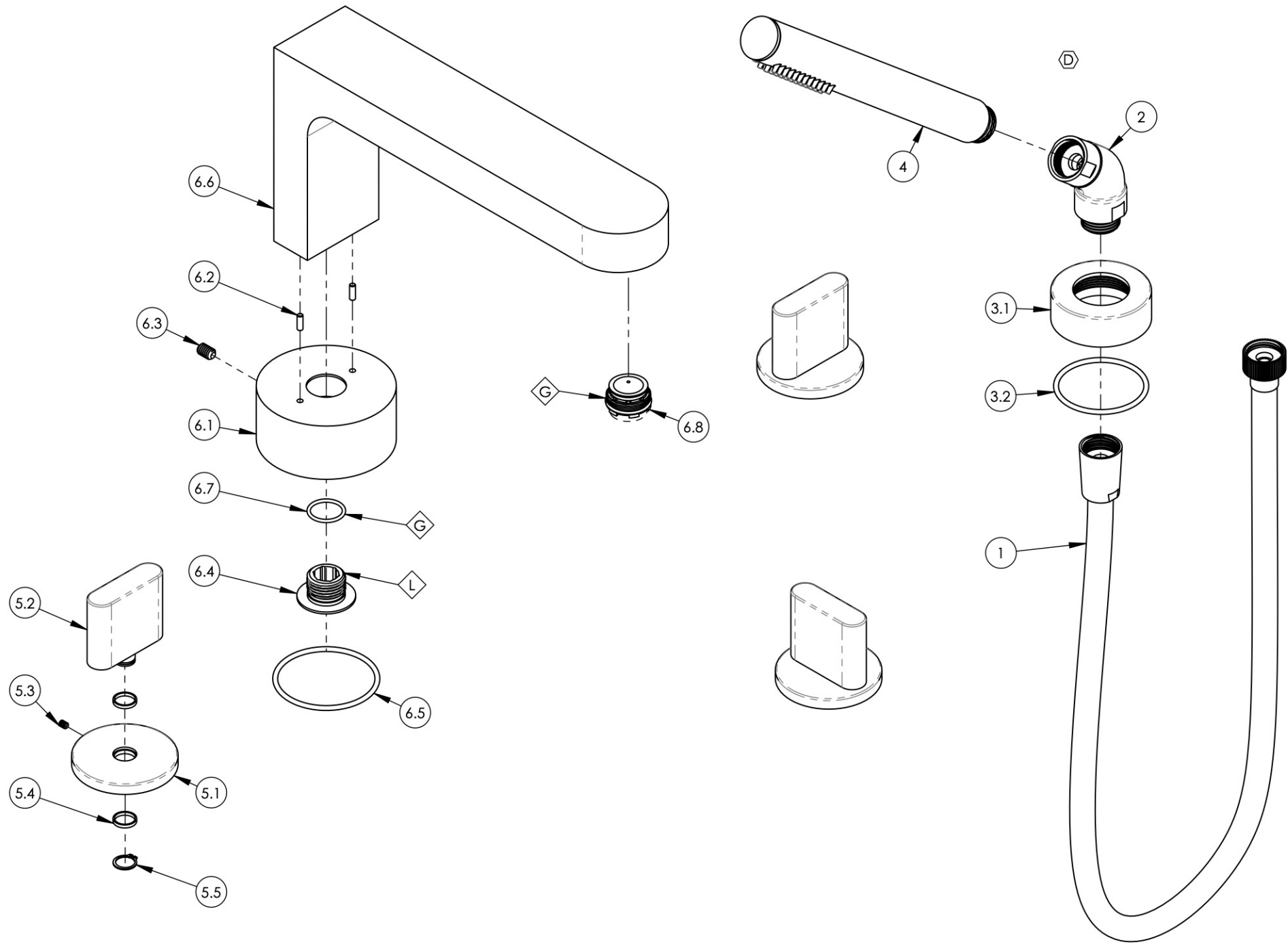


NOTE(S):

- 1. PART NUMBER, "/00" DENOTES PART SHALL HAVE FINISH.
- 2. APPLY NSF COMPLIANT GREASE TO ANY O-RING, SEALING JOINTS, AND/OR PIVOTAL POINTS.
- 3. APPLY NSF COMPLIANT LOCTITE TO THREADED AREA.
- 4. APPLY NSF COMPLIANT REMOVABLE (BLUE) LOCTITE TO THREADED AREA.
- 5. SILVER SOLDER JOINTS SHALL BE FULLY WETTED VIA CAPILLARY ACTION AND COMPLETELY NON-POROUS.

◇ G
◇ L
◇ B
◇ S



ITEM NO.	PART NUMBER	DESCRIPTION	QTY.
1	3-049/00	ASSY, HOSE KIT, HANDSHOWER	1
2	3-050/00	ELBOW ASSEMBLY	1
3	3-216/00	ESCUTCHEON BASE, HANDSHOWER, ROND	1
3.1	11760/00	ESCUTCHEON, HAND SHOWER, ROND	1
3.2	90133	1 13/16" O-RING, 1-13/16ID X 3/32THK, AS-568-133	1
4	3-471/00	ASSY, ROUND HANDSHOWER, CONTEMPORARY	1
5	3-584/00	ASSY, BLADE HANDLE, ROND	3
5.1	11749/00	ESCUTCHEON, HANDLE, ROND	1
5.2	11748/00	HANDLE, BLADE, ROND	1
5.3	92005	SET SCREW, CUP PT 6-32 UNC THREAD 3/16"L	1
5.4	92176	WEAR WASHER	2
5.5	92177	RETAINING RING, 7/16" SHAFT	1
6	3-591/00	ASSY, DECK TUB SPOUT, ROND	1
6.1	11758/00	ESCUTCHEON, DECK TUB SPOUT, ROND	1
6.2	92158	DOWEL PIN, 1/8" X 3/8"L	2
6.3	92173	SET SCREW, CUP PT, 1/4"-20 X 3/8" L	1
6.4	11220	SPUD SCREW, 1/2"-NPSM CONNECTOR	1
6.5	90137	O-RING, 2-1/16"ID X 3/32"THK., AS-568-137	1
6.6	11759/00	SPOUT, DECK TUB, ROND	1
6.7	90017	O-RING, 11/16"ID X 13/16"OD X 1/16"THK, AS-568-017	1
6.8	P05051	AERATOR, CACHE COINED SLOT M24X1.0 FULL FLOW	1

D4	D	REMOVE HAND SHOWER SUB-ASSEMBLY	2/17/2021	AMM
ZONE	REV.	DESCRIPTION	DATE	APPROVED
REVISIONS				

1261 LOGAN AVENUE
COSTA MESA, CALIFORNIA 92626
PHONE: 714.361.4800
FAX: 714.617.3120

PHYLIRICH
Defining Luxury Since 1959

PROPRIETARY AND CONFIDENTIAL
THE INFORMATION CONTAINED IN THIS DRAWING IS THE SOLE PROPERTY OF PHYLIRICH. ANY REPRODUCTION IN PART OR AS A WHOLE WITHOUT THE WRITTEN PERMISSION OF PHYLIRICH IS PROHIBITED.
DO NOT SCALE DRAWING

DECK TUB SET W/ HANDSHOWER, BLADE HANDLES, ROND

SIZE B	ASM/PRT NO. 183-48/00	REV D
SCALE: 1:2.75	WEIGHT: lbs.	SHEET 1 OF 2