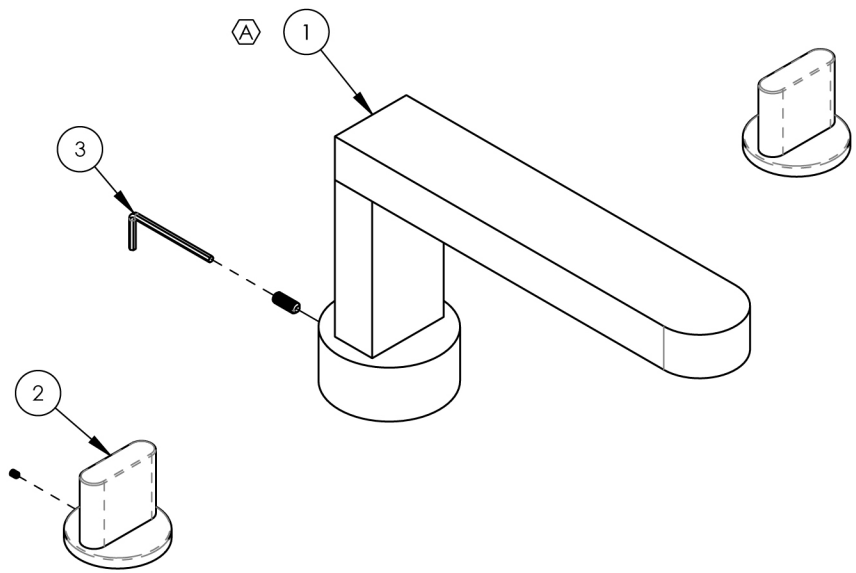


- NOTE(S):
1. PART NUMBER, "/00" DENOTES PART SHALL HAVE FINISH.
  2. APPLY NSF COMPLIANT GREASE TO ANY O-RING, SEALING JOINTS, AND/OR PIVOTAL POINTS.
  3. APPLY NSF COMPLIANT LOCTITE TO THREADED AREA.
  4. APPLY NSF COMPLIANT REMOVABLE (BLUE) LOCTITE TO THREADED AREA.
  5. SILVER SOLDER JOINTS SHALL BE FULLY WETTED VIA CAPILLARY ACTION AND COMPLETELY NON POROUS.

- ◇ G
- ◇ L
- ◇ B
- ◇ S

Ⓐ



| ITEM NO. | PART NUMBER | DESCRIPTION                   | QTY. |
|----------|-------------|-------------------------------|------|
| 1        | 3-591/00    | DECK TUB SPOUT, ROND, ASSY    | 1    |
| 2        | 3-584/00    | ASSY, BLADE HANDLE, ROND      | 2    |
| 3        | 92216       | HEX L-KEY 1/8" HEX x 2-5/16"L | 1    |

| ZONE | REV. | DESCRIPTION                             | DATE      | APPROVED |
|------|------|---|-----------|----------|
|      | A    | UPDATED DRAWINGS                        | 7/12/2024 | VA       |
| ALL  | A    | UPDATE TEMPLATE, O-RINGS, ADD CALL OUTS | 6/5/2020  | AMM      |

|   |  |   |   |  |                             |   |                                 |
|---|--|---|---|--|-----------------------------|---|---------------------------------|
| 1261 LOGAN AVENUE<br>COSTA MESA, CALIFORNIA 92626<br>PHONE: 714.361.4800<br>FAX: 714.617.3120 |  | <h1>PHYLIRICH®</h1> <p>Defining Luxury Since 1959</p> | PROPRIETARY AND CONFIDENTIAL<br>THE INFORMATION CONTAINED IN THIS DRAWING IS THE SOLE PROPERTY OF PHYLIRICH. ANY REPRODUCTION IN PART OR AS A WHOLE WITHOUT THE WRITTEN PERMISSION OF PHYLIRICH IS PROHIBITED.<br><b>DO NOT SCALE DRAWING</b> | <b>ASSY, DECK TUB SET, BLADE HANDLES, ROND</b> | SIZE <b>A</b><br>SCALE: 1:4 | ASM/PRT NO.<br><b>183-40/00</b><br>WEIGHT: lbs. | REV<br><b>A</b><br>SHEET 1 OF 2 |
|---|--|---|---|--|-----------------------------|---|---------------------------------|

Ⓐ