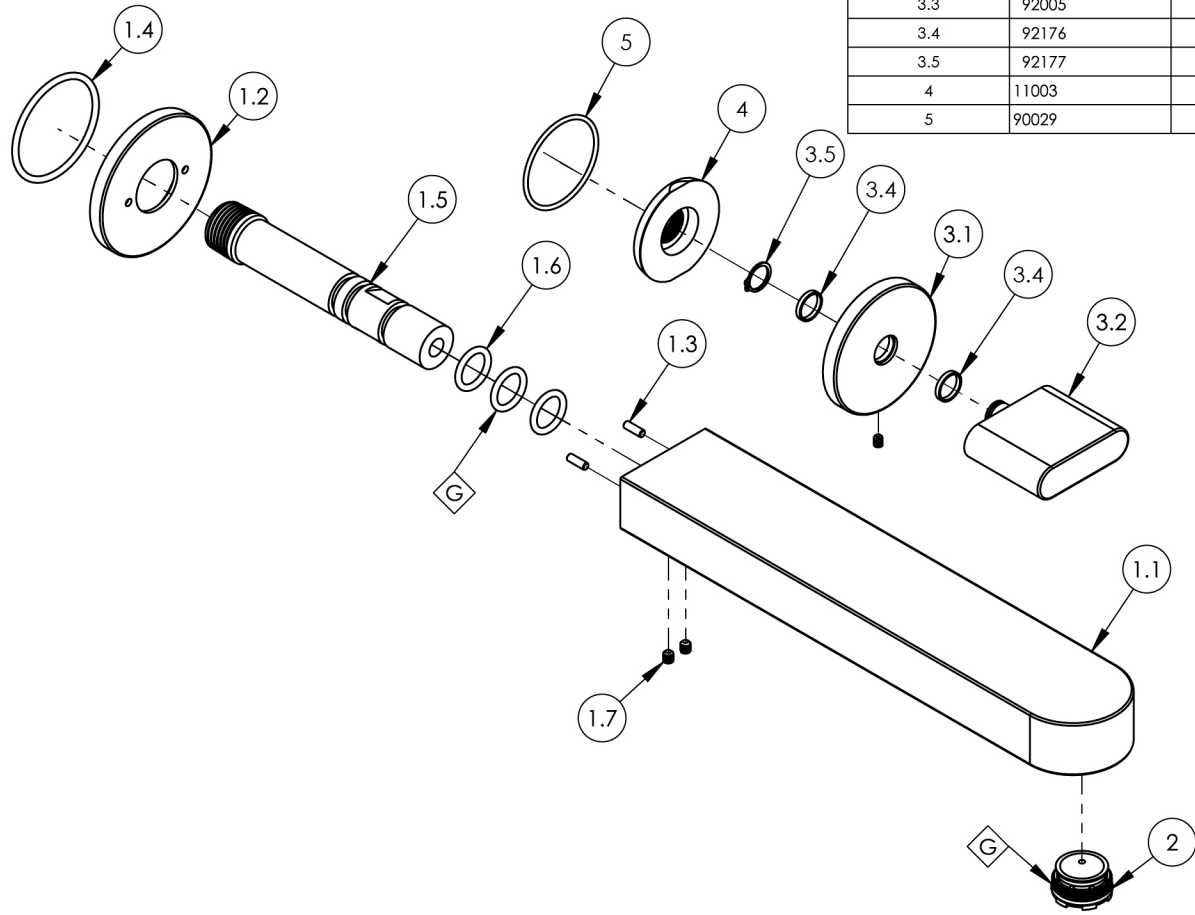


ITEM NO.	PART NUMBER	DESCRIPTION	QTY.
1	3-989/00	ASSY, WALL SPOUT, 10" L, ROND	1
1.1	12688/00	WALL SPOUT, 10" ROND	1
1.2	11756/00	ESCUTCHEON, WALL SPOUT, ROND	1
1.3	92158	DOWEL PIN, 1/8" X 3/8" L	2
1.4	90131	O-RING, 1-11/16" ID X 3/32" THK, AS-568-131	1
1.5	10013	INJECTOR SHANK, 1/2" NPT MALE TO M16.5 CACHE W/ O-SEAL	1
1.6	90113	O-RING, 9/16" ID X 3/4" OD X 3/32" THK, AS-568-113	3
1.7	92008	SET SCREW, CUP POINT 8-32, 3/16" L.	2
2	11427	AERATOR, CACHE REG, PINK 1.2 GPM, M24X1.0, NEOPERL # 40.2360.010	1
3	3-584/00	ASSY, BLADE HANDLE, ROND	1
3.1	11749/00	ESCUTCHEON, HANDLE, ROND	1
3.2	11748/00	HANDLE, BLADE, ROND	1
3.3	92005	SET SCREW, CUP PT 6-32 UNC THREAD 3/16" L	1
3.4	92176	WEAR WASHER	2
3.5	92177	RETAINING RING, 7/16" SHAFT	1
4	11003	SLEEVE MOUNT, WALL MT WIDESPREAD	1
5	90029	O-RING, 1-5/8" ID X 1-3/4" OD X 1/16" THK, AS-568-029	1

- NOTE(S):
- PART NUMBER, "/00" DENOTES PART SHALL HAVE FINISH.
  - APPLY NSF COMPLIANT GREASE TO ANY O-RING, SEALING JOINTS, AND/OR PIVOTAL POINTS.
  - APPLY NSF COMPLIANT LOCTITE TO THREADED AREA.
  - APPLY NSF COMPLIANT REMOVABLE (BLUE) LOCTITE TO THREADED AREA.
  - SILVER SOLDER JOINTS SHALL BE FULLY WETTED VIA CAPILLARY ACTION AND COMPLETELY NON-POROUS.



ZONE	REV.	DESCRIPTION	DATE	APPROVED
REVISIONS				

1261 LOGAN AVENUE  
COSTA MESA, CALIFORNIA 92626  
PHONE: 714.361.4800  
FAX: 714.617.3120

**PHYLIRICH**<sup>®</sup>  
Defining Luxury Since 1959

PROPRIETARY AND CONFIDENTIAL  
THE INFORMATION CONTAINED IN THIS DRAWING IS THE SOLE PROPERTY OF PHYLIRICH. ANY REPRODUCTION IN PART OR AS A WHOLE WITHOUT THE WRITTEN PERMISSION OF PHYLIRICH IS PROHIBITED.  
DO NOT SCALE DRAWING

ASSY, WALL LAV, SINGLE BLADE HANDLE, 10", ROND

SIZE <b>A</b>	ASM/PRT NO. 183-15-10/00	REV -
SCALE: 1:3	WEIGHT: lbs.	SHEET 1 OF 2