

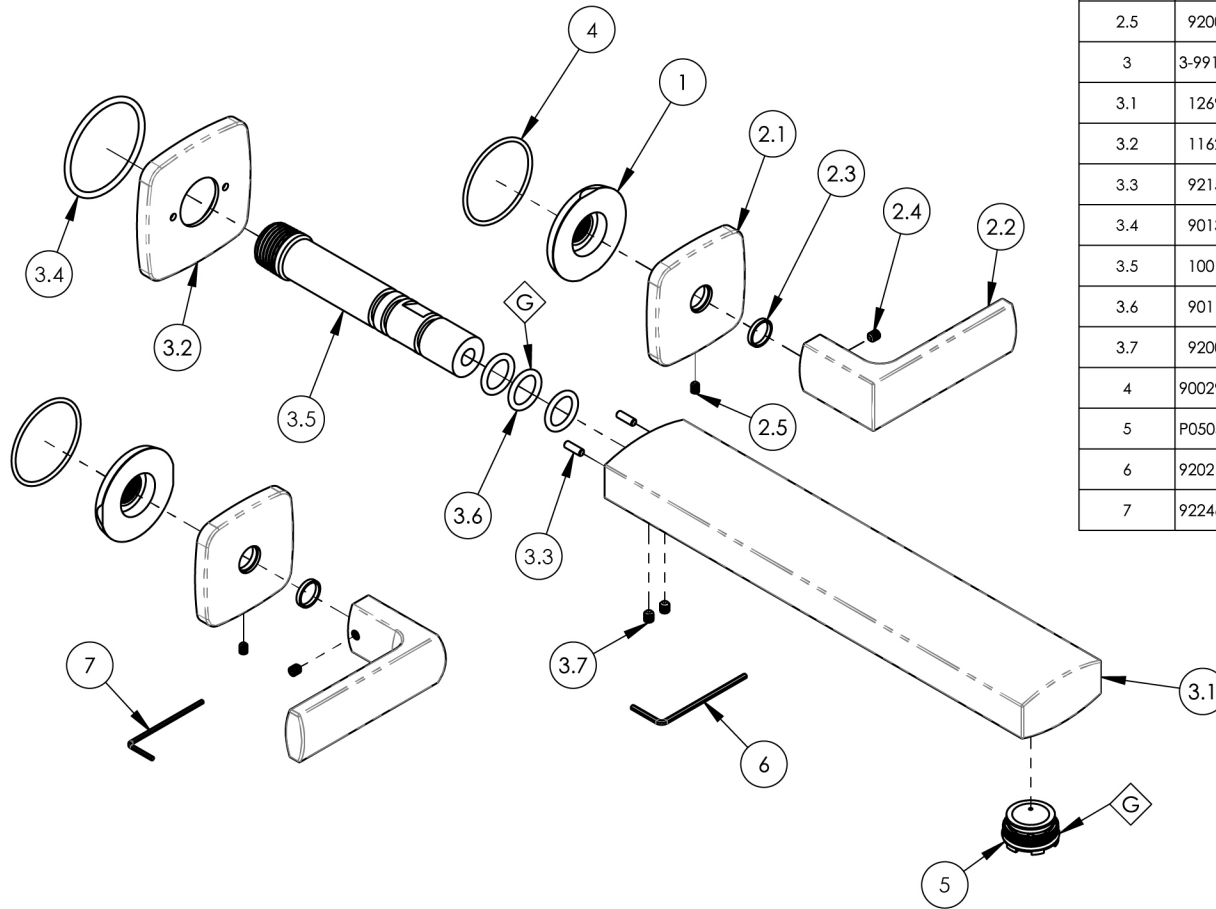
NOTE(S):  
 1. PART NUMBER, "/00" DENOTES PART SHALL HAVE FINISH.

2. APPLY NSF COMPLIANT GREASE TO ANY O-RING, SEALING JOINTS, AND/OR PIVOTAL POINTS. G

3. APPLY NSF COMPLIANT LOCTITE TO THREADED AREA. L

4. APPLY NSF COMPLIANT REMOVABLE (BLUE) LOCTITE TO THREADED AREA. B

5. SILVER SOLDER JOINTS SHALL BE FULLY WETTED VIA CAPILLARY ACTION AND COMPLETELY NON-POROUS. S



ITEM NO.	PART NUMBER	DESCRIPTION	QTY.
1	11003	SLEEVE MOUNT, WALL MT WIDESPREAD	2
2	3-520/00	ASSY, LEVER HANDLE, RADI	2
2.1	11620/00	ESCUTCHEON, HANDLE RADI	1
2.2	11622/00	HANDLE, LEVER, RADI	1
2.3	92176	WEAR WASHER	1
2.4	92008	SET SCREW, CUP POINT 8-32, 3/16" L.	1
2.5	92005	SET SCREW, CUP PT 6-32 UNC THREAD 3/16"L	1
3	3-991/00	ASSY, WALL SPOUT, 10", RADI	1
3.1	12690/00	WALL SPOUT, 10", RADI	1
3.2	11629/00	ESCUTCHEON, WALL SPOUT, RADI	1
3.3	92158	DOWEL PIN, 1/8" X 3/8"L	2
3.4	90131	O-RING, 1-11/16ID X 3/32THK, AS-568-131	1
3.5	10013	INJECTOR SHANK, 1/2"NPT MALE TO M16.5 CACHE W/ O-SEAL	1
3.6	90113	O-RING, 9/16"ID X 3/4"OD X 3/32"THK, AS-568-113	3
3.7	92008	SET SCREW, CUP POINT 8-32, 3/16" L.	2
4	90029	O-RING, 1-5/8"ID X 1-3/4"OD X 1/16"THK, AS-568-029	2
5	P05051	AERATOR, CACHE COINED SLOT M24X1.0 FULL FLOW	1
6	92021	HEX KEY 5/64, FOR 8-32 SET SCREW	1
7	92246	HEX KEY 1/16, FOR 6-32 SET SCREW	1

ZONE	REV.	DESCRIPTION	DATE	APPROVED
REVISIONS				

1261 LOGAN AVENUE COSTA MESA, CALIFORNIA 92626  PHONE: 714.361.4800 FAX: 714.617.3120	<h1>PHYLIRICH<sup>®</sup></h1> <p>Defining Luxury Since 1959</p>	PROPRIETARY AND CONFIDENTIAL THE INFORMATION CONTAINED IN THIS DRAWING IS THE SOLE PROPERTY OF PHYLIRICH. ANY REPRODUCTION IN PART OR AS A WHOLE WITHOUT THE WRITTEN PERMISSION OF PHYLIRICH IS PROHIBITED. <b>DO NOT SCALE DRAWING</b>	<h2>WALL TUB SET, LEVER HANDLES, 10"L, RADI</h2>
---	--	---	--

SIZE	ASM/PRT NO.	REV
<b>A</b>	181-57-10/00	-
SCALE: 1:3.25	WEIGHT: lbs.	SHEET 1 OF 2