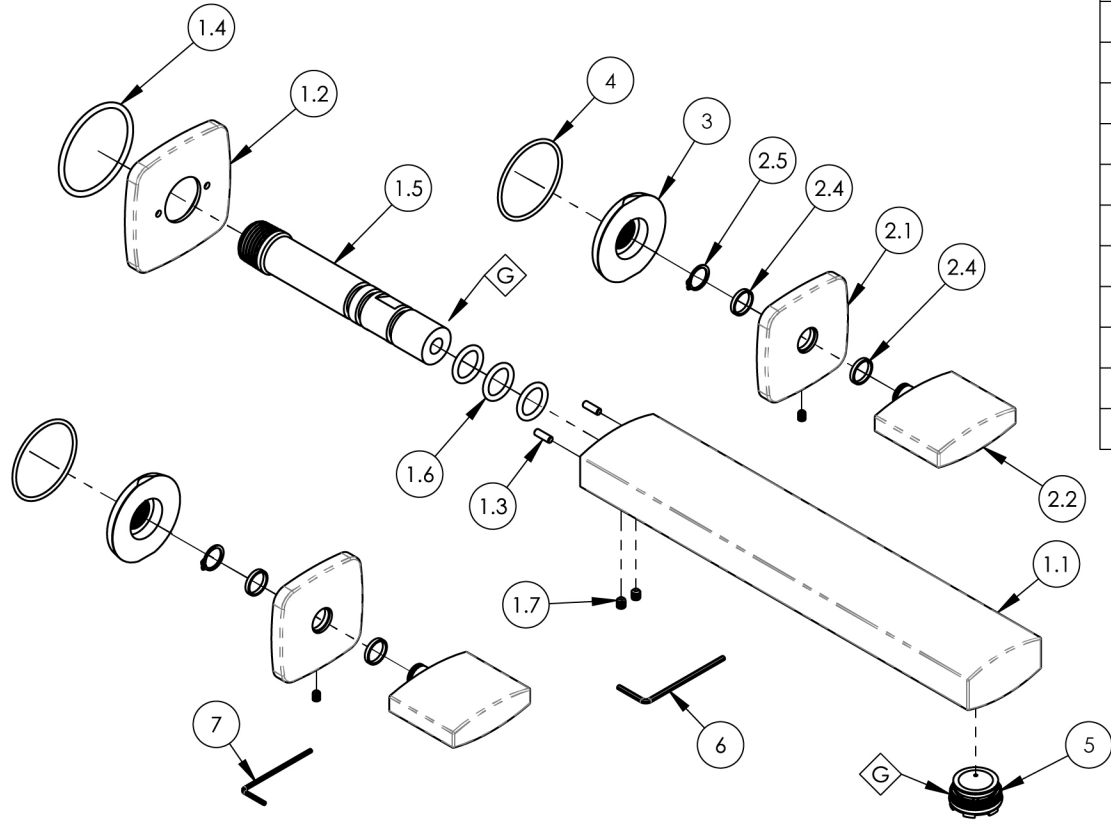


- NOTE(S):  
 1. PART NUMBER, "/00" DENOTES PART SHALL HAVE FINISH.  
 2. APPLY NSF COMPLIANT GREASE TO ANY O-RING, SEALING JOINTS, AND/OR PIVOTAL POINTS.  
 3. APPLY NSF COMPLIANT LOCTITE TO THREADED AREA.  
 4. APPLY NSF COMPLIANT REMOVABLE (BLUE) LOCTITE TO THREADED AREA.  
 5. SILVER SOLDER JOINTS SHALL BE FULLY WETTED VIA CAPILLARY ACTION AND COMPLETELY NON-POROUS.



ITEM NO.	PART NUMBER	DESCRIPTION	QTY.
1	3-991/00	ASSY, WALL SPOUT, 10", RADI	1
1.1	12690/00	WALL SPOUT, 10", RADI	1
1.2	11629/00	ESCUTCHEON, WALL SPOUT, RADI	1
1.3	92158	DOWEL PIN, 1/8" X 3/8" L	2
1.4	90131	O-RING, 1-11/16 ID X 3/32 THK, AS-568-131	1
1.5	10013	INJECTOR SHANK, 1/2" NPT MALE TO M16.5 CACHE W/ O-SEAL	1
1.6	90113	O-RING, 9/16" ID X 3/4" OD X 3/32" THK, AS-568-113	3
1.7	92008	SET SCREW, CUP POINT 8-32, 3/16" L.	2
2	3-519/00	ASSY, BLADE HANDLE, RADI	2
2.1	11620/00	ESCUTCHEON, HANDLE RADI	1
2.2	11619/00	HANDLE, BLADE, RADI	1
2.3	92005	SET SCREW, CUP PT 6-32 UNC THREAD 3/16" L	1
2.4	92176	WEAR WASHER	2
2.5	92177	RETAINING RING, 7/16" SHAFT	1
3	11003	SLEEVE MOUNT, WALL MT WIDESPREAD	2
4	90029	O-RING, 1-5/8" ID X 1-3/4" OD X 1/16" THK, AS-568-029	2
5	P05051	AERATOR, CACHE COINED SLOT M24X1.0 FULL FLOW	1
6	92021	HEX KEY 5/64, FOR 8-32 SET SCREW	1
7	92246	HEX KEY 1/16, FOR 6-32 SET SCREW	1

ZONE	REV.	DESCRIPTION	DATE	APPROVED
------	------	-------------	------	----------

REVISIONS

1261 LOGAN AVENUE  
 COSTA MESA, CALIFORNIA 92626  
 PHONE: 714.361.4800  
 FAX: 714.617.3120

**PHYLIRICH**<sup>®</sup>  
 Defining Luxury Since 1959

PROPRIETARY AND CONFIDENTIAL  
 THE INFORMATION CONTAINED IN THIS DRAWING IS THE SOLE PROPERTY OF PHYLIRICH. ANY REPRODUCTION IN PART OR AS A WHOLE WITHOUT THE WRITTEN PERMISSION OF PHYLIRICH IS PROHIBITED.  
 DO NOT SCALE DRAWING

WALL TUB SET, BLADE HANDLE, 10" L, RADI

SIZE

ASM/PRT NO.

REV

**A**

181-56-10/00

-

SCALE: 1:8

WEIGHT: lbs.

SHEET 1 OF 2