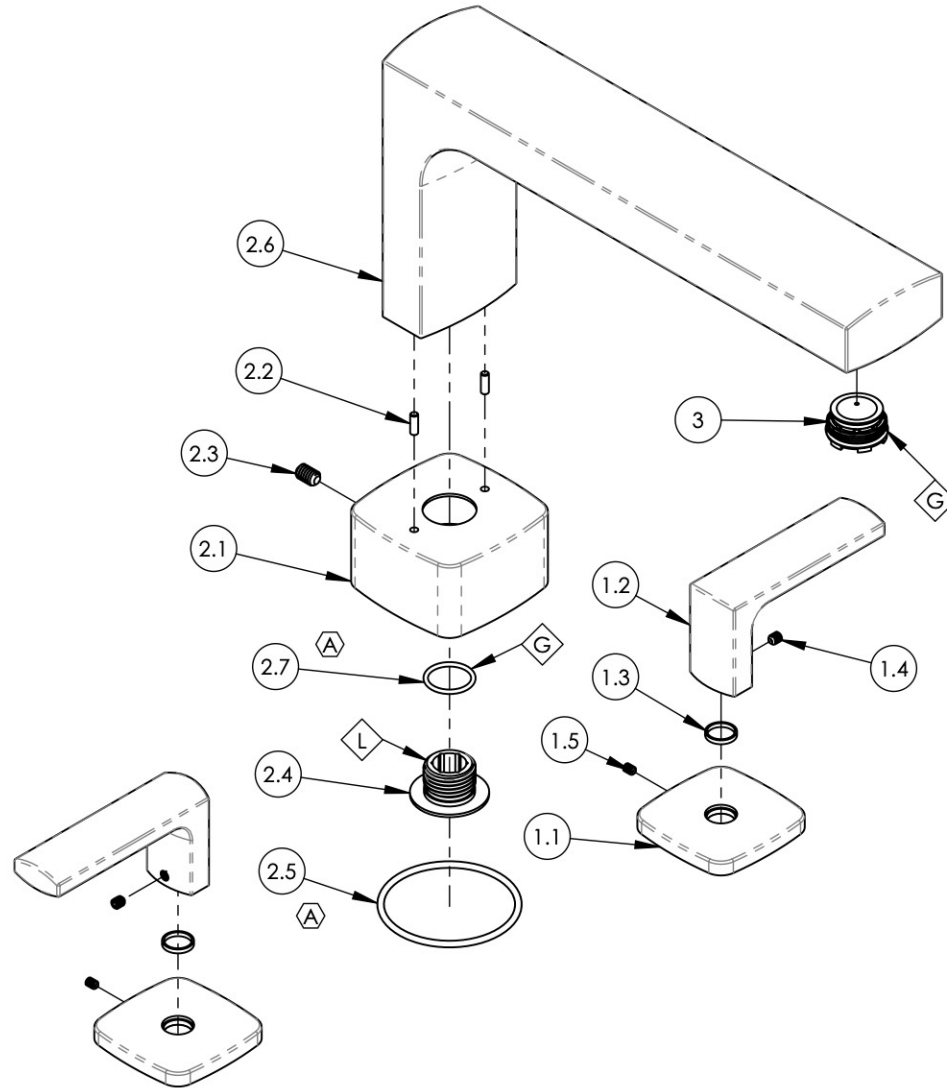


- NOTE(S):
1. APPLY NSF COMPLIANT GREASE TO ANY O-RING, SEALING JOINTS, AND/OR PIVOTAL POINTS. G
  2. APPLY NSF COMPLIANT LOCTITE TO THREADED AREA. L



ITEM NO.	PART NUMBER	DESCRIPTION	QTY.
1	3-520/00	ASSY, LEVER HANDLE, RADII	2
1.1	11620/00	ESCUTCHEON, HANDLE RADII	1
1.2	11622/00	HANDLE, LEVER, RADII	1
1.3	92176	WEAR WASHER	1
1.4	92008	SET SCREW, CUP POINT 8-32, 3/16" L.	1
1.5	92005	SET SCREW, CUP PT 6-32 UNC THREAD 3/16"L	1
2	3-529/00	ASSY, DECK TUB SPOUT, RADII	1
2.1	11636/00	ESCUTCHEON, DECK TUB SPOUT, RADII	1
2.2	92158	DOWEL PIN, 1/8" X 3/8"L	2
2.3	92173	SET SCREW, CUP PT, 1/4"-20 X 3/8" L	1
2.4	11220	SPUD SCREW, 1/2"-NPSM CONNECTOR	1
2.5	90137	O-RING, 2-1/16"ID X 3/32"THK., AS-568-137	1
2.6	11635/00	SPOUT, DECK TUB, RADII	1
2.7	90017	O-RING, 11/16"ID X 13/16"OD X 1/16"THK., AS-568-017	1
3	P05051	AERATOR, CACHE COINED SLOT M24X1.0 FULL FLOW	1

ALL	A	UPDATE TEMPLATE, O-RINGS, ADD CALL OUTS	6/10/2020	AMM
ZONE	REV.	DESCRIPTION	DATE	APPROVED
REVISIONS				

1261 LOGAN AVENUE  
COSTA MESA, CALIFORNIA 92626  
PHONE: 714.361.4800  
FAX: 714.617.3120

**PHYLIRICH**<sup>®</sup>  
Defining Luxury Since 1959

**PROPRIETARY AND CONFIDENTIAL**  
THE INFORMATION CONTAINED IN THIS DRAWING IS THE SOLE PROPERTY OF PHYLIRICH. ANY REPRODUCTION IN PART OR AS A WHOLE WITHOUT THE WRITTEN PERMISSION OF PHYLIRICH IS PROHIBITED.

-	-	INTERPRET GEOMETRIC DIMENSIONING & TOLERANCING IN ACCORDANCE WITH ASME Y14.5-2009 & ASME Y14.41-2003 STANDARDS, UNLESS OTHERWISE SPECIFIED. DIMENSIONS ARE IN INCHES. TOLERANCES ARE:		
NEXT ASSY	USED ON	FRACTIONS ±1/16"	DECIMALS X.X: ±.1 X.XX: ±.01 X.XXX: ±.005	ANGULAR ±2°
APPLICATION		MATERIAL	NAME	DATE
FINISH		DRAWN	RAH	12/20/2017
DO NOT SCALE DRAWING		CHECKED		

ASSY, DECK TUB SET, LEVER HANDLES, RADII

SIZE **A** ASM/PRT NO. 181-41/00 REV A

SCALE: 1:3 WEIGHT: lbs. SHEET 1 OF 2