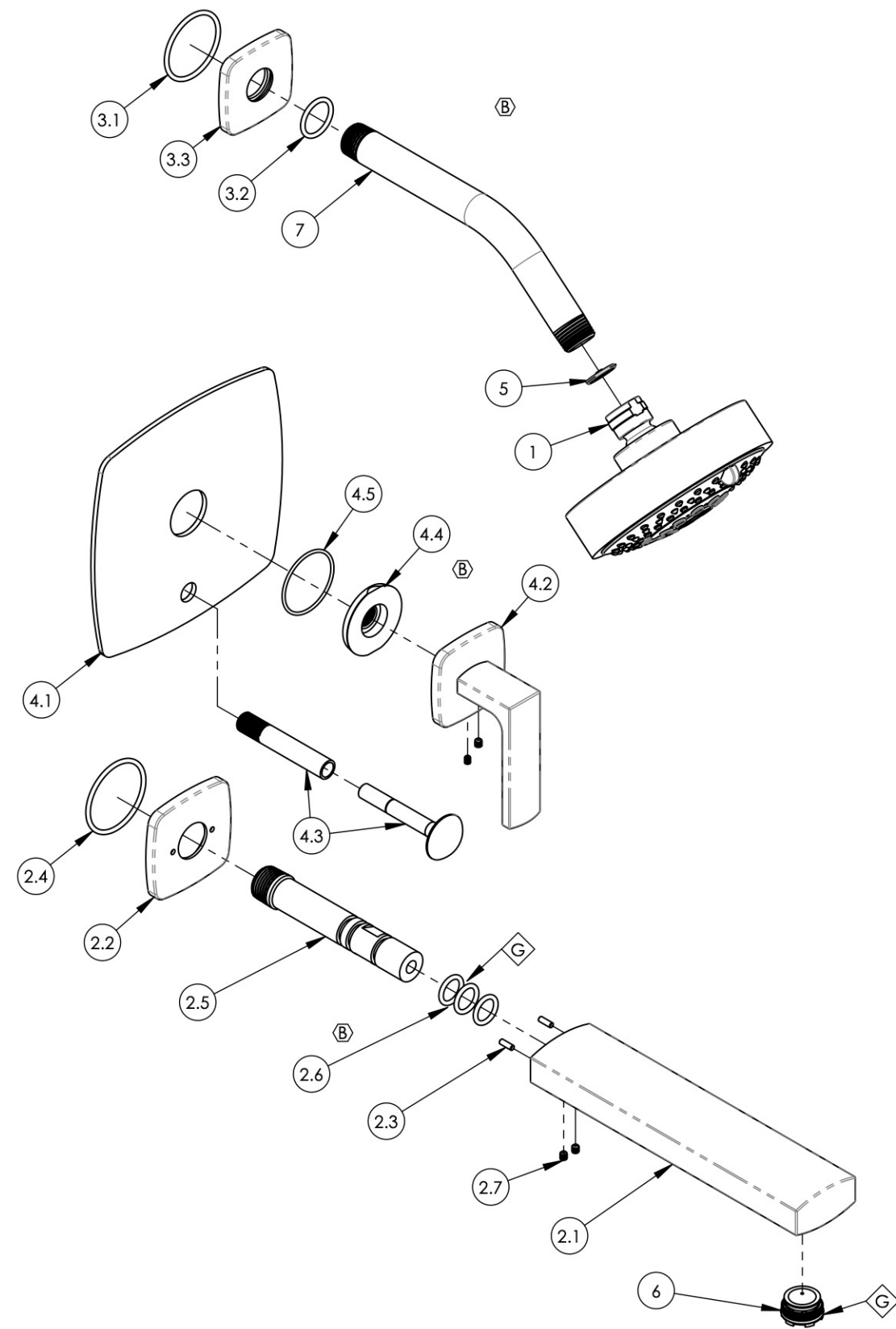


NOTE(S):

1. PART NUMBER, "/00" DENOTES PART SHALL HAVE FINISH.
2. APPLY NSF COMPLIANT GREASE TO ANY O-RING, SEALING JOINTS, AND/OR PIVOTAL POINTS.
3. APPLY NSF COMPLIANT LOCTITE TO THREADED AREA.
4. APPLY NSF COMPLIANT REMOVABLE (BLUE) LOCTITE TO THREADED AREA.
5. SILVER SOLDER JOINTS SHALL BE FULLY WETTED VIA CAPILLARY ACTION AND COMPLETELY NON-POROUS.
6. FOR DEEPEER ESCUTCHEON:
  - 3-527/00
  - 92401

◇ G  
◇ L  
◇ B  
◇ S



ITEM NO.	PART NUMBER	DESCRIPTION	QTY.
1	3-454/00	SHOWER HEAD MULTI. FUNC. CONTEMP.	1
2	3-523/00	ASSY, WALL SPOUT, RADI	1
2.1	11628/00	WALL SPOUT, RADII	1
2.2	11629/00	ESCUTCHEON, WALL SPOUT, RADI	1
2.3	92158	DOWEL PIN, 1/8" X 3/8" L	2
2.4	90131	O-RING, 1-11/16" ID X 3/32" THK, AS-568-131	1
2.5	10013	INJECTOR SHANK, 1/2" NPT MALE TO M16.5 CACHE W/ O-SEAL	1
2.6	90113	O-RING, 9/16" ID X 3/4" OD X 3/32" THK, AS-568-113	3
2.7	92008	SET SCREW, CUP POINT 8-32, 3/16" L	2
3	3-528/00	SHOWER FLANGE, RADI	1
3.1	90129	O-RING, 1-9/16" ID X 3/32" THK, AS-568-129	1
3.2	90117	O-RING, 7/8" ID X 33/32" THK., AS-568-117	1
3.3	11630/00	ESCUTCHEON, SHOWER FLANGE, RADI	1
4	4-517/00	ASSY, LEVER HANDLE W/DIVERTER, TRIM, RADI	1
4.1	11633/00	TRIM PLATE, SINGLE HANDLE W/ DIVERTER, RADII FACE	1
4.2	3-520/00	ASSY, LEVER HANDLE, RADII	1
4.3	3-125/00	DIVERTER EXTENSION ASSY FOR PB TUB & SHOWER SET	1
4.4	11003	SLEEVE MOUNT, WALL MT WIDESPREAD	1
4.5	90029	O-RING, 1-5/8" ID X 1-3/4" OD X 1/16" THK, AS-568-029	1
5	11432	1.75 GPM FLOW REGULATOR	1
6	P05051	AERATOR, CACHE COINED SLOT M24X1.0 FULL FLOW	1
7	P16008/00	SHOWER ARM (8 INCH)	1

ALL	B	UPDATE SLEEVE MOUNT & HANDLE ASSY, REMOVE SHOWER SUBASSY, UPDATE O-RINGS, ADD NOTE	2/18/2021	AMM
ZONE	REV.	DESCRIPTION	DATE	APPROVED
REVISIONS				

1261 LOGAN AVENUE  
COSTA MESA, CALIFORNIA 92626  
PHONE: 714.361.4800  
FAX: 714.617.3120

**PHYLIRICH**<sup>®</sup>  
Defining Luxury Since 1959

**PROPRIETARY AND CONFIDENTIAL**  
THE INFORMATION CONTAINED IN THIS DRAWING IS THE SOLE PROPERTY OF PHYLIRICH. ANY REPRODUCTION IN PART OR AS A WHOLE WITHOUT THE WRITTEN PERMISSION OF PHYLIRICH IS PROHIBITED.  
**DO NOT SCALE DRAWING**

**ASSY, LEVER HANDLE W/DIVERTER, SHOWER KIT, RADI**

SIZE <b>B</b>	ASM/PRT NO. <b>181-27/00</b>	REV <b>B</b>
SCALE: 1:3.5	WEIGHT: lbs.	SHEET 1 OF 2