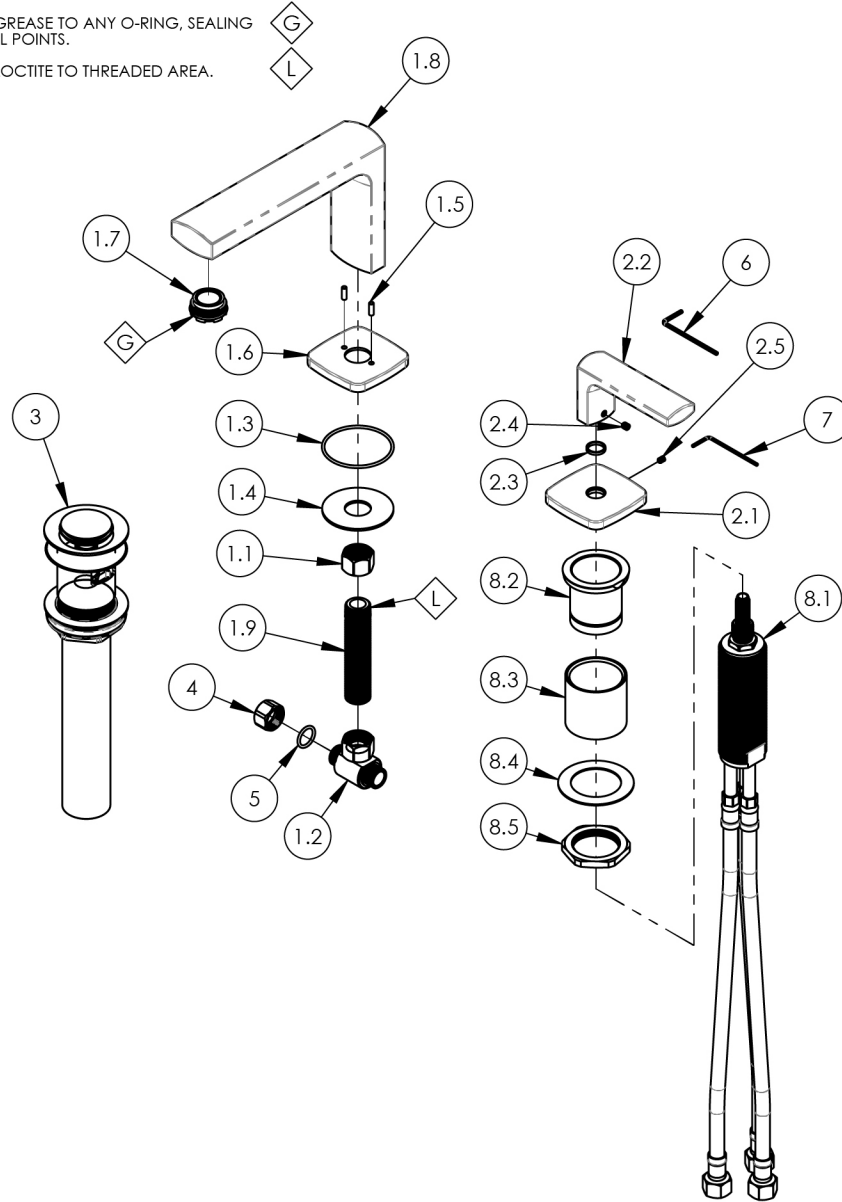


NOTE(S):
1. PART NUMBER, "/00" DENOTES PART SHALL HAVE FINISH.

2. APPLY NSF COMPLIANT GREASE TO ANY O-RING, SEALING JOINTS, AND/OR PIVOTAL POINTS.

3. APPLY NSF COMPLIANT LOCTITE TO THREADED AREA.



ITEM NO.	PART NUMBER	DESCRIPTION	QTY.
1	3-522/00	ASSY, WIDESPREAD LAV LOW SPOUT, RADI	1
1.1	10746	NUT, 3/8"-18 NPSL	1
1.2	1-112	TEE VALVE, 3/8" NPSM X 3/8" COMPRESSION	1
1.3	90031	O-RING, 1-3/4"ID X 1/16"THK, AS-568-031	1
1.4	92174	WASHER, 1.860 O.D X .690 I.D	1
1.5	92158	DOWEL PIN, 1/8" X 3/8"L	2
1.6	11618/00	ESCUTCHEON, LAV SPOUT, RADII	1
1.7	10560	AERATOR, PCA CACHE 1.5GPM, M24X1.0 GREEN	1
1.8	11627/00	SPOUT LOW, RADII	1
1.9	10745	THREAD ALL, 3/8"-18 NPSM	1
2	3-520/00	ASSY, LEVER HANDLE, RADI	1
2.1	11620/00	ESCUTCHEON, HANDLE RADII	1
2.2	11622/00	HANDLE, LEVER, RADII	1
2.3	92176	WEAR WASHER	1
2.4	92008	SET SCREW, CUP POINT 8-32, 3/16" L.	1
2.5	92005	SET SCREW, CUP PT 6-32 UNC THREAD 3/16"L	1
3	3-545/00	BRASS PUSH TYPE DRAIN, W/ OVERFLOW & SMALL PLUG	1
4	92492	CAP NUT, 3/8" COMPRESSION	1
5	90014	O-RING, 1/2"ID X 5/8"OD X 1/16"THK, AS-568-014	1
6	92021	HEX KEY 5/64, FOR 8-32 SET SCREW	1
7	92246	HEX KEY 1/16, FOR 6-32 SET SCREW	1
8	2-580	VALVE KIT, FLUSH MOUNT, SINGLE HANDLE LAV	1
8.1	1-054	VALVE, DECK MOUNTED SINGLE HANDLE LAV DROP-IN	1
8.2	11077	SLEEVE MOUNT, DECK (ROMAN) TUB	1
8.3	92180	EXTENSION SLEEVE, WIDESPREAD	1
8.4	92138	BRASS WASHER, THIN	1
8.5	92313	HEX NUT, 1-1/4"-20 THREAD	1

ZONE	REV.	DESCRIPTION	DATE	APPROVED
------	------	-------------	------	----------

REVISIONS

1261 LOGAN AVENUE
COSTA MESA, CALIFORNIA 92626
PHONE: 714.361.4800
FAX: 714.617.3120

PHYLIRICH[®]
Defining Luxury Since 1959

PROPRIETARY AND CONFIDENTIAL
THE INFORMATION CONTAINED IN THIS DRAWING
IS THE SOLE PROPERTY OF PHYLIRICH. ANY
REPRODUCTION IN PART OR AS A WHOLE
WITHOUT THE WRITTEN PERMISSION OF PHYLIRICH
IS PROHIBITED.
DO NOT SCALE DRAWING

WIDESPREAD LAV, LOW SPOUT, SINGLE
LEVER HANDLE, RADI

SIZE **A** ASM/PRT NO. 181-09/00

REV -

SCALE: 1:12

WEIGHT: lbs.

SHEET 1 OF 2