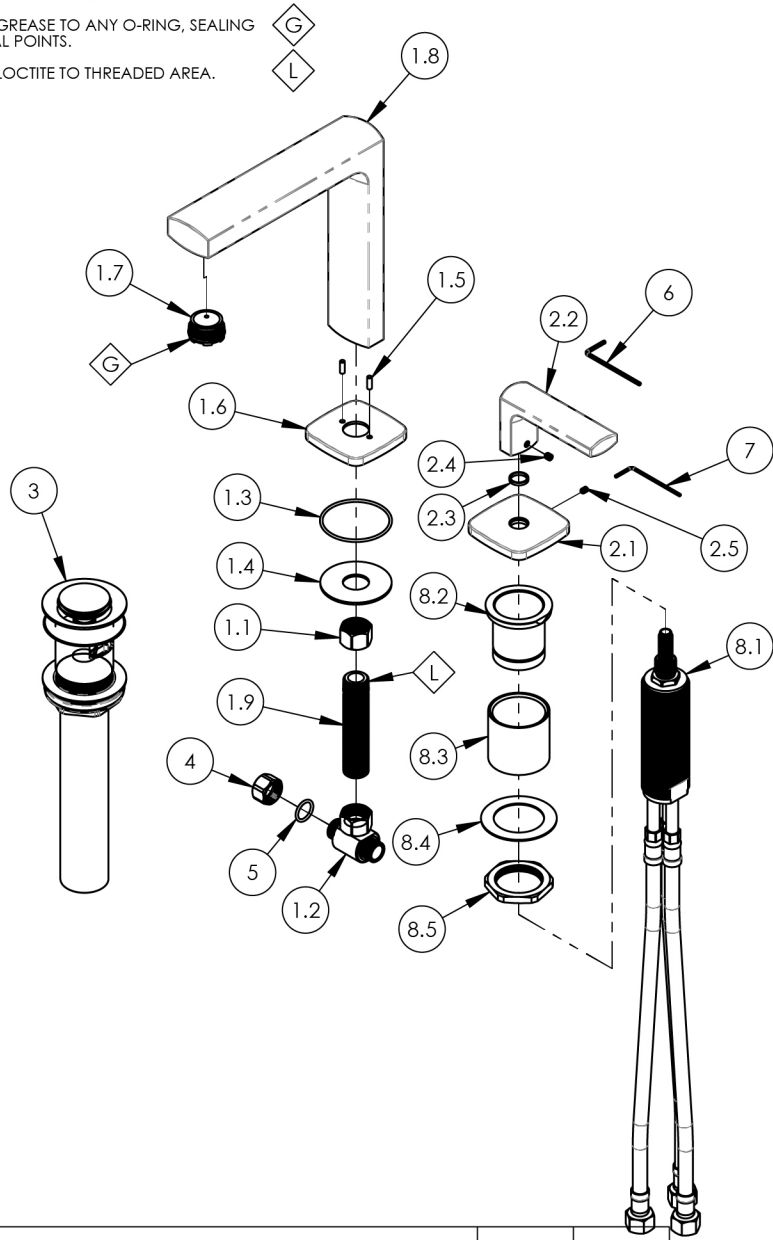


- NOTE(S):
 1. PART NUMBER, "/00" DENOTES PART SHALL HAVE FINISH.
 2. APPLY NSF COMPLIANT GREASE TO ANY O-RING, SEALING JOINTS, AND/OR PIVOTAL POINTS.
 3. APPLY NSF COMPLIANT LOCTITE TO THREADED AREA.



ITEM NO.	PART NUMBER	DESCRIPTION	QTY.
1	3-518/00	ASSY, WIDESPREAD LAV HIGH SPOUT, RADI	1
1.1	10746	NUT, 3/8"-18 NPSL	1
1.2	1-112	TEE VALVE, 3/8" NPSM X 3/8" COMPRESSION	1
1.3	90031	O-RING, 1-3/4"ID X 1/16"THK, AS-568-031	1
1.4	92174	WASHER, 1.860 O.D X .690 I.D	1
1.5	92158	DOWEL PIN, 1/8" X 3/8"L	2
1.6	11618/00	ESCUTCHEON, LAV SPOUT, RADI	1
1.7	11427	AERATOR, CACHE REG, PINK 1.2 GPM, M24X1.0, NEOPERL # 40,2360.010	1
1.8	11621/00	SPOUT, WIDESPREAD LAV HIGH, RADI	1
1.9	10745	THREAD ALL, 3/8"-18 NPSM	1
2	3-520/00	ASSY, LEVER HANDLE, RADI	1
2.1	11620/00	ESCUTCHEON, HANDLE RADI	1
2.2	11622/00	HANDLE, LEVER, RADI	1
2.3	92176	WEAR WASHER	1
2.4	92008	SET SCREW, CUP POINT 8-32, 3/16" L.	1
2.5	92005	SET SCREW, CUP PT 6-32 UNC THREAD 3/16"L	1
3	3-545/00	BRASS PUSH TYPE DRAIN, W/ OVERFLOW & SMALL PLUG	1
4	92492	CAP NUT, 3/8" COMPRESSION	1
5	90014	O-RING, 1/2"ID X 5/8"OD X 1/16"THK, AS-568-014	1
6	92021	HEX KEY 5/64, FOR 8-32 SET SCREW	1
7	92246	HEX KEY 1/16, FOR 6-32 SET SCREW	1
8	2-580	VALVE KIT, FLUSH MOUNT, SINGLE HANDLE LAV	1
8.1	1-054	VALVE, DECK MOUNTED SINGLE HANDLE LAV DROP-IN	1
8.2	11077	SLEEVE MOUNT, DECK (ROMAN) TUB	1
8.3	92180	EXTENSION SLEEVE, WIDESPREAD	1
8.4	92138	BRASS WASHER, THIN	1
8.5	92313	HEX NUT, 1-1/4"-20 THREAD	1

ZONE	REV.	DESCRIPTION	DATE	APPROVED
------	------	-------------	------	----------

REVISIONS

1261 LOGAN AVENUE
 COSTA MESA, CALIFORNIA 92626
 PHONE: 714.361.4800
 FAX: 714.617.3120

PHYLIRICH[®]
 Defining Luxury Since 1959

PROPRIETARY AND CONFIDENTIAL
 THE INFORMATION CONTAINED IN THIS DRAWING IS THE SOLE PROPERTY OF PHYLIRICH. ANY REPRODUCTION IN PART OR AS A WHOLE WITHOUT THE WRITTEN PERMISSION OF PHYLIRICH IS PROHIBITED.
 DO NOT SCALE DRAWING

WIDESPREAD LAV, HIGH SPOUT, SINGLE LEVER HANDLE, RADI

SIZE A	ASM/PRT NO. 181-07/00	REV -
SCALE: 1:12	WEIGHT: lbs.	SHEET 1 OF 2