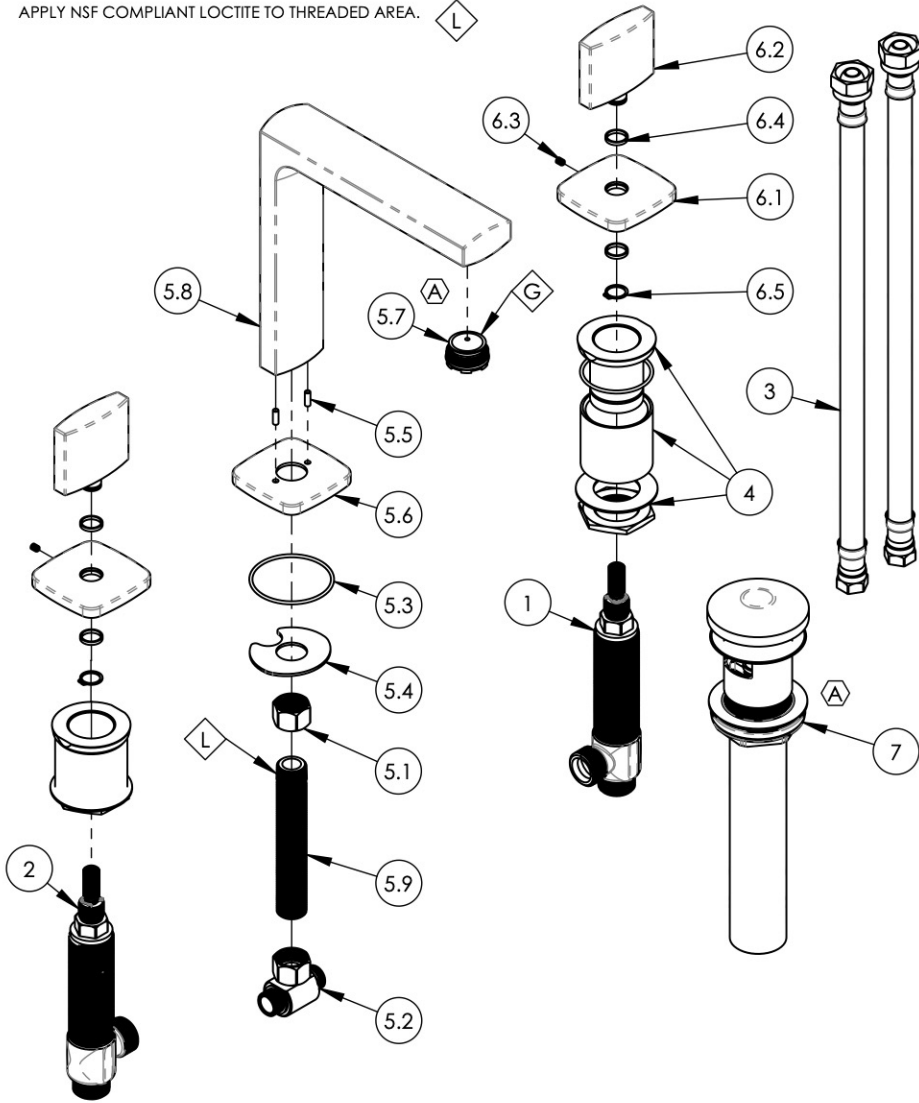


NOTE(S):

1. APPLY NSF COMPLIANT GREASE TO ANY O-RING, SEALING JOINTS, AND/OR PIVOTAL POINTS. G
2. APPLY NSF COMPLIANT LOCTITE TO THREADED AREA. L



ITEM NO.	PART NUMBER	DESCRIPTION	QTY.
1	1-149	WIDESPREAD VALVE LAV 16PT, HOT, ONLY	1
2	1-150	WIDESPREAD VALVE LAV 16PT, COLD, ONLY	1
3	10982	HOSE, 3/8" COMP. X 1/2" NPSM - 12"L	2
4	2-092	RECESSED MOUNTING KIT FOR WIDESPREAD	2
5	3-518	ASSY, WIDESPREAD LAV HIGH SPOUT, RADI	1
5.1	10746	NUT, 3/8"-18 NPSL	1
5.2	1-112	TEE VALVE, 3/8" NPSM X 3/8" COMPRESSION	1
5.3	90031	O-RING, 1-3/4"ID X 1/16"THK, AS-568-031	1
5.4	92174	WASHER MOUNT WIDESPREAD (3/8")	1
5.5	92158	DOWEL PIN, 1/8" X 3/8"L	2
5.6	11618/00	ESCUTCHEON, LAV SPOUT, RADII	1
5.7	11427	AERATOR, CACHE REG, PINK 1.2 GPM, M24X1.0, NEOPERL # 40.2360.010	1
5.8	11621/00	SPOUT, WIDESPREAD LAV HIGH, RADII	1
5.9	10745	THREAD ALL, 3/8"-18 NPSL - 3/8"NPT	1
6	3-519/00	ASSY, BLADE HANDLE, RADII	2
6.1	11620/00	ESCUTCHEON, HANDLE RADII	1
6.2	11619/00	HANDLE, BLADE, RADII	1
6.3	92005	SET SCREW, CUP PT 6-32 UNC THREAD 3/16"L	1
6.4	92176	WEAR WASHER	2
6.5	92177	RETAINING RING, 7/16" SHAFT	1
7	3-545/00	BRASS PUSH TYPE DRAIN, W/ OVERFLOW & SMALL PLUG	1

ALL	A	UPDATE TEMPLATE, AEARATOR, DRAIN, ADD CALL OUTS	6/8/2020	AMM
ZONE	REV.	DESCRIPTION	DATE	APPROVED
REVISIONS				

1261 LOGAN AVENUE  
COSTA MESA, CALIFORNIA 92626  
PHONE: 714.361.4800  
FAX: 714.617.3120

**PHYLIRICH**<sup>®</sup>  
Defining Luxury Since 1959

**PROPRIETARY AND CONFIDENTIAL**  
THE INFORMATION CONTAINED IN THIS DRAWING IS THE SOLE PROPERTY OF PHYLIRICH. ANY REPRODUCTION IN PART OR AS A WHOLE WITHOUT THE WRITTEN PERMISSION OF PHYLIRICH IS PROHIBITED.

-	-	INTERPRET GEOMETRIC DIMENSIONING & TOLERANCING IN ACCORDANCE WITH ASME Y14.5-2009 & ASME Y14.41-2003 STANDARDS, UNLESS OTHERWISE SPECIFIED. DIMENSIONS ARE IN INCHES. TOLERANCES ARE:		
NEXT ASSY	USED ON	<b>FRACTIONS</b> ±1/16"	<b>DECIMALS</b> X.X: ±.1 X.XX: ±.01 X.XXX: ±.005	<b>ANGULAR</b> ±2°
APPLICATION		MATERIAL	NAME	DATE
FINISH		DRAWN	RAH	1/9/2018
<b>DO NOT SCALE DRAWING</b>		CHECKED		

**WIDESPREAD, HIGH SPOUT, BLADE HANDLES, RADI**

SIZE	ASM/PRT NO.	REV
<b>A</b>	181-01/00	<b>A</b>
SCALE: 1:4.25	WEIGHT: lbs.	SHEET 1 OF 2