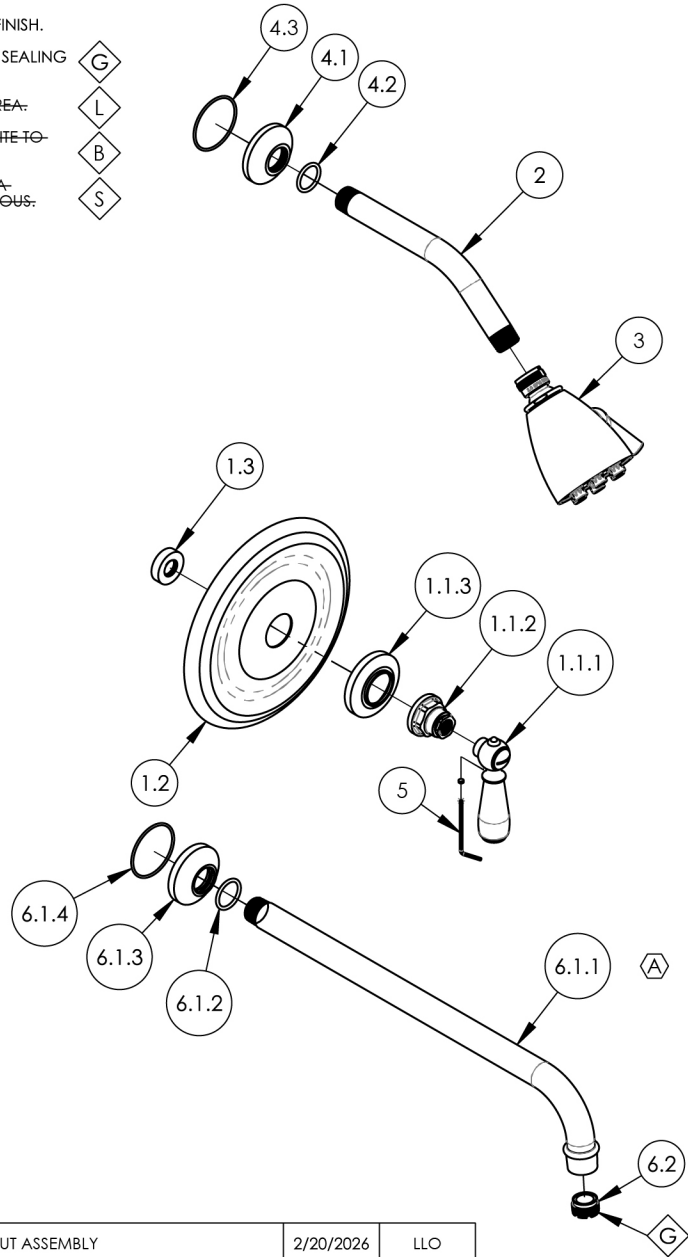


- NOTE(S):  
 1. PART NUMBER, "/00" DENOTES PART SHALL HAVE FINISH.  
 2. APPLY NSF COMPLIANT GREASE TO ANY O-RING, SEALING JOINTS, AND/OR PIVOTAL POINTS.  
 3. APPLY NSF COMPLIANT LOCTITE TO THREADED AREA.  
 4. APPLY NSF COMPLIANT REMOVABLE (BLUE) LOCTITE TO THREADED AREA.  
 5. SILVER SOLDER JOINTS SHALL BE FULLY WETTED VIA CAPILLARY ACTION AND COMPLETELY NON-POROUS.



ITEM NO.	PART NUMBER	DESCRIPTION	QTY.
1	4-735/00	SHOWER TRIM PLATE, SINGLE LEVER HANDLE	1
1.1	3-865/00	LEVER HANDLE, WIDESPREAD/SHOWER	1
1.1.1	3-859/00	LEVER HANDLE W/ BROACH	1
1.1.2	12469/00	HUB SHORT, CROSS HANDLE, WIDESPREAD LAV	1
1.1.3	12474/00	ESCUTCHEON, CROSS & LEVER HANDLES	1
1.2	P17009/00	PRESSURE BALANCE TRIM PLATE	1
1.3	11087	SLEEVE FOR PB-THERM PLATE	1
2	P16008/00	SHOWER ARM (8 INCH)	1
3	3-018/00	SHOWERHEAD SIX JET	1
4	3-868/00	SHOWER FLANGE	1
4.1	12475/00	SHOWER FLANGE	1
4.2	90117	O-RING, 7/8"ID X 33/32"THK., AS-568-117	1
4.3	90031	O-RING, 1-3/4"ID X 1/16"THK, AS-568-031	1
5	92021	HEX KEY 5/64, FOR 8-32 SET SCREW	1
6	3-1024/00	WALL TUB SPOUT, 14" REACH, JAMESTOWN	1
6.1	3-872/00	WALL LAV/TUB SPOUT, 14" L	1
6.1.1	2-379/00	WALL SPOUT, 14", BRAZE, HEX MODERN	1
6.1.2	90118	O-RING, 7/8"ID X 1-1/16"OD X 3/32"THK, AS-568-118	1
6.1.3	12476/00	SPOUT FLANGE, WALL TUB	1
6.1.4	90031	O-RING, 1-3/4"ID X 1/16"THK, AS-568-031	1
6.2	P05024	AERATOR CACHE COIN SLOT, M21.5X1.0 FULL FLOW	1

B3	A	UPDATED SPOUT ASSEMBLY	2/20/2026	LLO
ZONE	REV.	DESCRIPTION	DATE	APPROVED

REVISIONS

1261 LOGAN AVENUE  
 COSTA MESA, CALIFORNIA 92626  
 PHONE: 714.361.4800  
 FAX: 714.617.3120

**PHYLIRICH**<sup>®</sup>  
 Defining Luxury Since 1959

PROPRIETARY AND CONFIDENTIAL  
 THE INFORMATION CONTAINED IN THIS DRAWING IS THE SOLE PROPERTY OF PHYLIRICH. ANY REPRODUCTION IN PART OR AS A WHOLE WITHOUT THE WRITTEN PERMISSION OF PHYLIRICH IS PROHIBITED.  
 DO NOT SCALE DRAWING

PRESSURE BALANCE TUB & SHOWER SET,  
 14" SPOUT

SIZE <b>A</b>	ASM/PRT NO. 165-27-14/00	REV A
SCALE: 1:6	WEIGHT: lbs.	SHEET 1 OF 2