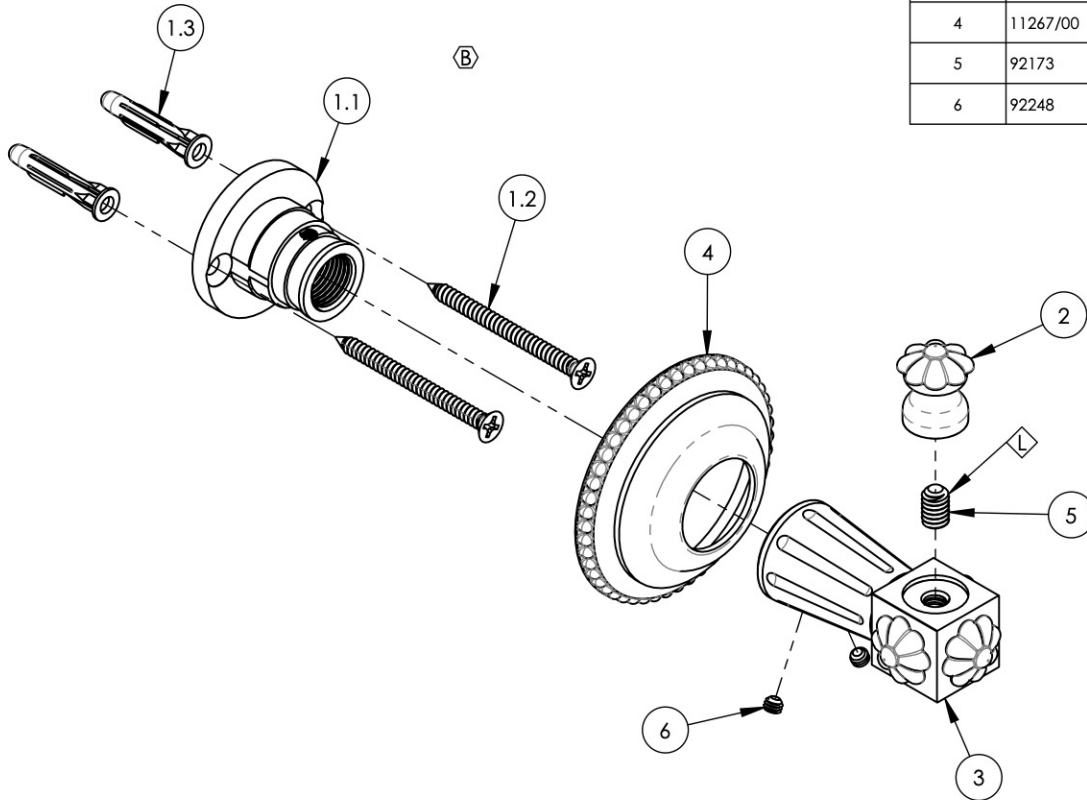


NOTE(S):
 1. APPLY NSF COMPLIANT LOCTITE TO THREADED AREA. L



ITEM NO.	PART NUMBER	DESCRIPTION	QTY.
1	2-103	MOUNTING KIT WITH ADJUSTABLE THREADED PIN	1
1.1	11050	MOUNTING KIT, WALL FLANGE	1
1.2	92234	SCREW FOR WOOD, PHIL, NO. 8 X 1-1/2" L	2
1.3	92235	ANCHOR FOR DRYWALL, TWIST-ACTION NO. 6-8 SIZE	2
2	2-158/00	SUB ASSY. ROBE HOOK FINIAL, MARVELLE	1
3	2-159/00	SUB ASSY. ROBE HOOK POST, MARVELLE	1
4	11267/00	ESCUTCHEON, ACCESSORIES, MARVELLE	1
5	92173	SET SCREW, CUP PT, 1/4"-20 X 3/8" L	1
6	92248	SET SCREW, CUP POINT 8-32 UNC, 1/8" L.	2

ALL	B	UPDATE TEMPLATE & MOUNTING KIT	7/29/2020	AMM
ZONE	REV.	DESCRIPTION	DATE	APPROVED
REVISIONS				

1261 LOGAN AVENUE
 COSTA MESA, CALIFORNIA 92626
 PHONE: 714.361.4800
 FAX: 714.617.3120

PHYLIRICH[®]
 Defining Luxury Since 1959

PROPRIETARY AND CONFIDENTIAL
 THE INFORMATION CONTAINED IN THIS DRAWING IS THE SOLE PROPERTY OF PHYLIRICH. ANY REPRODUCTION IN PART OR AS A WHOLE WITHOUT THE WRITTEN PERMISSION OF PHYLIRICH IS PROHIBITED.

-	-	INTERPRET GEOMETRIC DIMENSIONING & TOLERANCING IN ACCORDANCE WITH ASME Y14.5-2009 & ASME Y14.41-2003 STANDARDS, UNLESS OTHERWISE SPECIFIED. DIMENSIONS ARE IN INCHES. TOLERANCES ARE:		
NEXT ASSY	USED ON	FRACTIONS ±1/16"	DECIMALS X.X: ±.1 X.XX: ±.01 X.XXX: ±.005	ANGULAR ±2°
MATERIAL	APPLICATION	NAME	DATE	
FINISH	DRAWN	LLO	10/20/2015	
DO NOT SCALE DRAWING		CHECKED	GRE	

ROBE HOOK, MARVELLE

SIZE	ASM/PRT NO.	REV
A	162-76/00	B
SCALE: 1:1.75	WEIGHT: lbs.	SHEET 1 OF 2