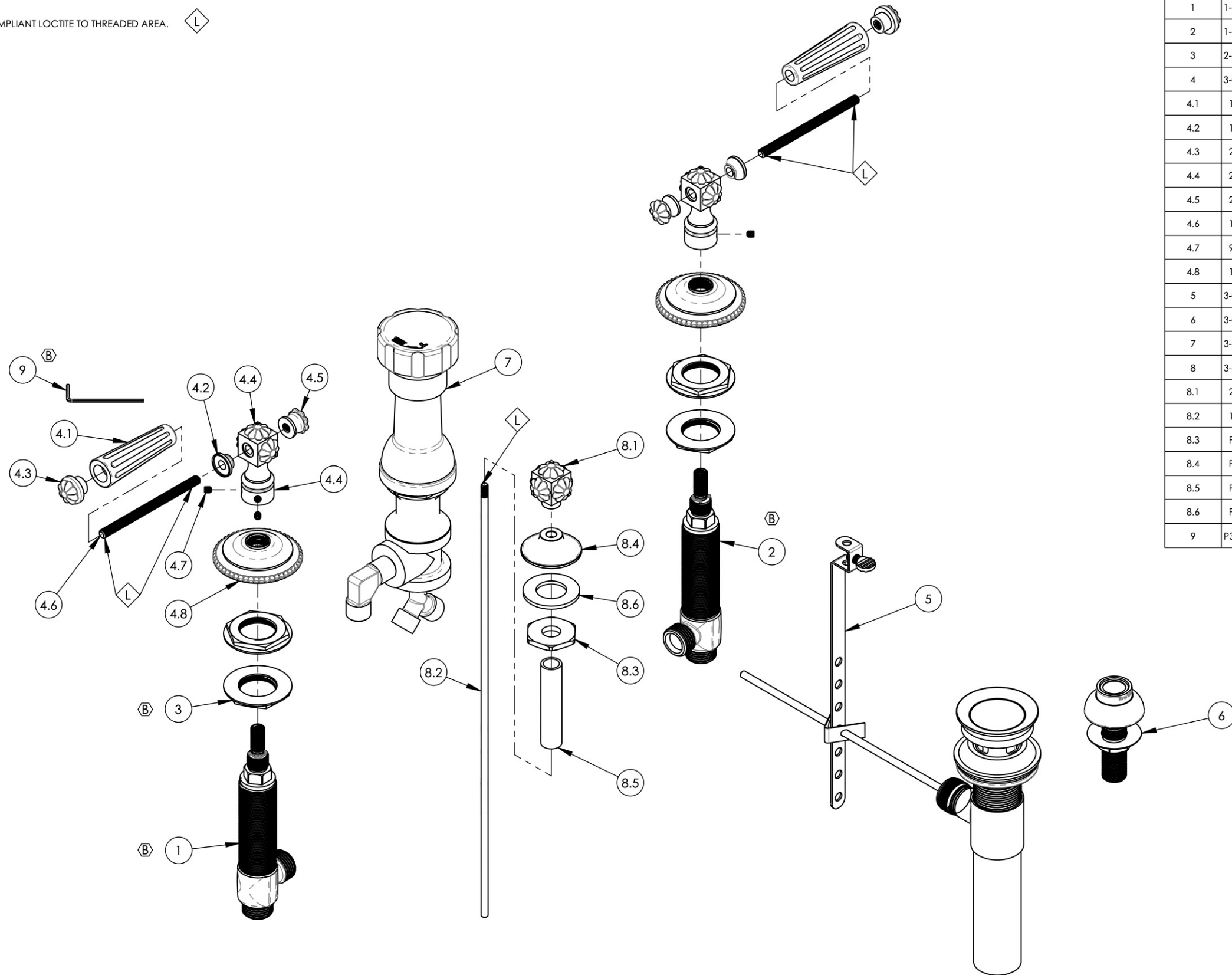


NOTE(S):
 1. APPLY NSF COMPLIANT LOCTITE TO THREADED AREA. L



ITEM NO.	PART NUMBER	DESCRIPTION	QTY.
1	1-149	WIDESPREAD VALVE LAV 16PT, HOT, ONLY	1
2	1-150	WIDESPREAD VALVE LAV 16PT, COLD, ONLY	1
3	2-203	MOUNTING NUT KIT, WIDESPREAD LAV	4
4	3-030/00	HANDLE LEVER, MARVELLE SEIRES	2
4.1	10541/00	LEVER HANDLE INSERT, MARVELLE	1
4.2	11102/00	BASE HANDLE FOR LEVER HEX TRADITIONAL 500 SERIES	1
4.3	2-111/00	SUB-ASSY. END CAP FINIAL, MARVELLE	1
4.4	2-113/00	SUB-ASSY. LEVER TRASITION FINIAL, MARVELLE	1
4.5	2-112/00	SUB-ASSY. FINIAL EXTENSION BACK LEVER	1
4.6	10543	THREADED ROD, 1/4"-20 X 3"-5/8 L	1
4.7	92008	SET SCREW, CUP POINT 8-32, 3/16" L.	2
4.8	10540/00	ESCUTCHEON, MARVELLE SERIES	1
5	3-046/00	POP-UP DRAIN ASSEMBLY (2-101, 2-102, & 2-246)	1
6	3-085/00	ASSY, BIDET SPRAYER	1
7	3-160/00	BIDET DIVERTER, COMPLETE	1
8	3-422/00	ASSY. BIDET POP-UP ROD, MARVELLE	1
8.1	2-115/00	SUB-ASSY. FINIAL POP-UP, MARVELLE SERIES	1
8.2	10719/00	POP-UP ROD, 10-24, 14" LONG	1
8.3	P09006	SPECIAL HEX F/BIDET SPRAYER	1
8.4	P09007/00	K4160 POP UP GUIDE	1
8.5	P32010	9/16-20 x 56 NIPPLE FOR COMPRESSION STEM	1
8.6	P35026	3/4" SAE FLAT WASHER	1
9	P39001	HEX KEY 5/64, FOR 8-32 SET SCREW	1

ALL	B	UPDATE DWG NAME, TEMPLATE, VALVES, ADD CALL OUTS/ HEX KEY	7/28/2020	AMM
ZONE	REV.	DESCRIPTION	DATE	APPROVED
REVISIONS				
		1261 LOGAN AVENUE COSTA MESA, CALIFORNIA 92626 PHONE: 714.361.4800 FAX: 714.617.3120	PHYLIRICH Defining Luxury Since 1959	
		PROPRIETARY AND CONFIDENTIAL THE INFORMATION CONTAINED IN THIS DRAWING IS THE SOLE PROPERTY OF PHYLIRICH. ANY REPRODUCTION IN PART OR AS A WHOLE WITHOUT THE WRITTEN PERMISSION OF PHYLIRICH IS PROHIBITED.		

-	-	INTERPRET GEOMETRIC DIMENSIONING & TOLERANCING IN ACCORDANCE WITH ASME Y14.5-2009 & ASME Y14.41-2003 STANDARDS. UNLESS OTHERWISE SPECIFIED, DIMENSIONS ARE IN INCHES. TOLERANCES ARE:		
NEXT ASSY	USED ON	FRACTIONS ±1/16"	DECIMALS X.X: ±.1 X.XX: ±.01 X.XXX: ±.005	ANGULAR ±2°
APPLICATION		MATERIAL	NAME	DATE
FINISH		DRAWN	LLO	10/20/2015
DO NOT SCALE DRAWING		CHECKED	GRE	

BIDET SET, FOUR HOLE, LEVER HANDLES, MARVELLE		
SIZE	ASM/PRT NO.	REV
B	162-61/00	B
SCALE: 1:3	WEIGHT: lbs.	SHEET 1 OF 2