

NOTE(S):  
 1. PART NUMBER, "/00" DENOTES PART SHALL HAVE FINISH.

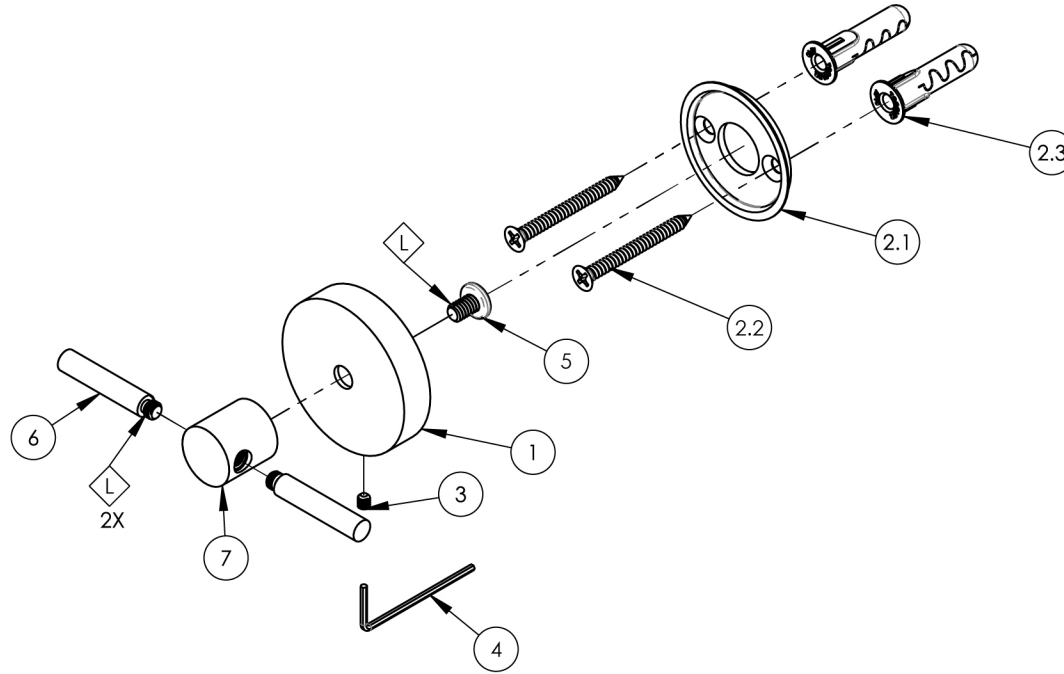
2. APPLY NSF COMPLIANT GREASE TO ANY O-RING, SEALING JOINTS, AND/OR PIVOTAL POINTS. G

3. APPLY NSF COMPLIANT LOCTITE TO THREADED AREA. L

4. APPLY NSF COMPLIANT REMOVABLE (BLUE) LOCTITE TO THREADED AREA. B

5. SILVER SOLDER JOINTS SHALL BE FULLY WETTED VIA CAPILLARY ACTION AND COMPLETELY NON-POROUS. S

ITEM NO.	PART NUMBER	DESCRIPTION	QTY.
1	10639/00	ESCUTCHEON, WALL MOUNT CONTEMP.	1
2	2-098	MOUNTING KIT FOR MIX/EDGE SERIES	1
2.1	30042	WALL MOUNTING PLATE	1
2.2	92043	SCREW, FLAT HD #10 SIZE W/ #2 PHIL DRIVE, 2"L	2
2.3	92046	ANCHOR SCREW 3/8" HOLE, TOGGLER AF10	2
3	92008	SET SCREW, CUP POINT 8-32, 3/16" L.	1
4	92021	HEX KEY 5/64, FOR 8-32 SET SCREW	1
5	92207	SCREW, PAN HEAD, PHILLIPS, 1/4"-20 X 3/8"L, SS	1
6	P23150/00	POST HOOK, GARMENT, BASIC SERIES	2
7	12708/00	POST, DOUBLE ROBE HOOK,	1



ZONE	REV.	DESCRIPTION	DATE	APPROVED
REVISIONS				

1261 LOGAN AVENUE  
 COSTA MESA, CALIFORNIA 92626  
 PHONE: 714.361.4800  
 FAX: 714.617.3120

**PHYLIRICH**<sup>®</sup>  
 Defining Luxury Since 1959

PROPRIETARY AND CONFIDENTIAL  
 THE INFORMATION CONTAINED IN THIS DRAWING IS THE SOLE PROPERTY OF PHYLIRICH. ANY REPRODUCTION IN PART OR AS A WHOLE WITHOUT THE WRITTEN PERMISSION OF PHYLIRICH IS PROHIBITED.  
 DO NOT SCALE DRAWING

ACCESORIE, ROBE/ GARMENT, DOUBLE HOOK

SIZE <b>A</b>	ASM/PRT NO. 130-77/00	REV -
SCALE: 1:2.5	WEIGHT: lbs.	SHEET 1 OF 2