

120-47-01



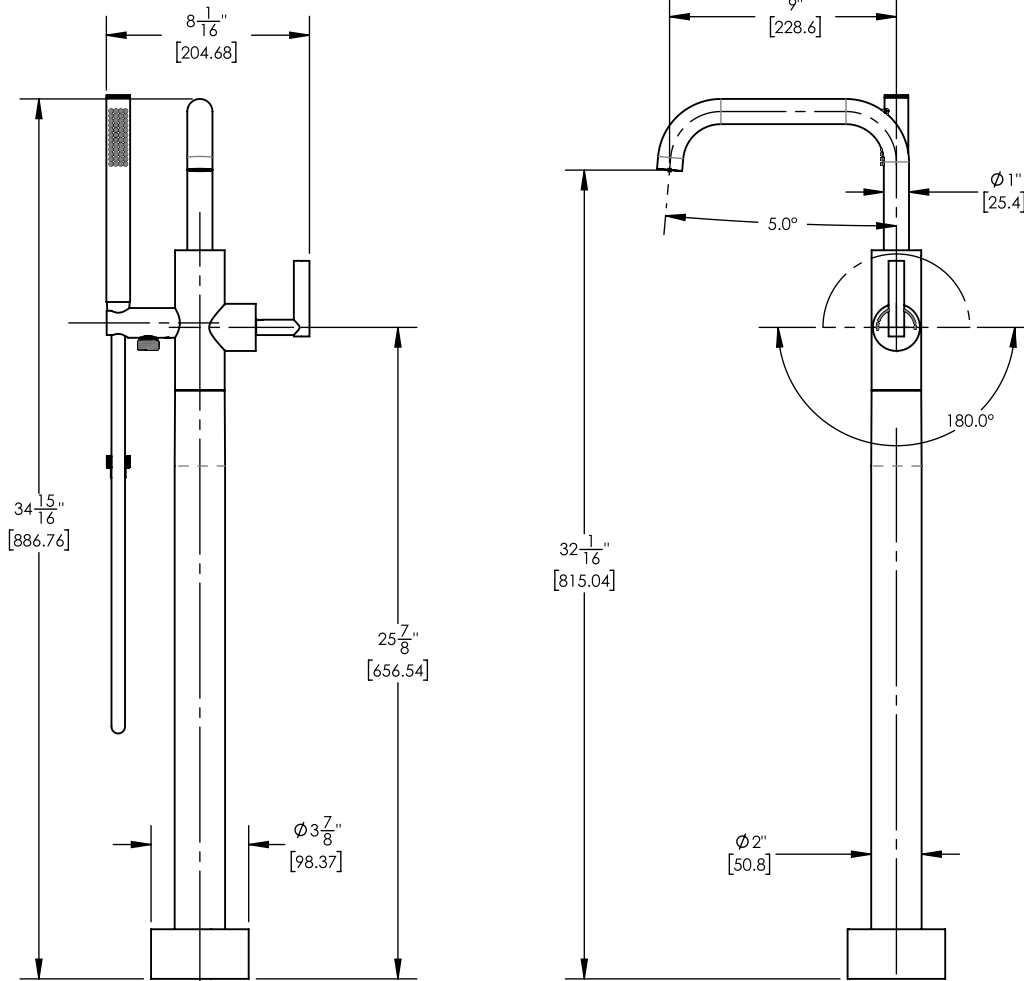
■ **PRODUCT FEATURES**

- Style: Transitional
- Collection: Transition
- Temperature Controlled by Handle
- Integrated Diverter
- Low "Square" Spout
- Lever Handle

■ **TECHNICAL DETAILS**

Hand Shower Flow Rate: 1.8 gpm
 Spout Flow Rate: Full Flow
 Hand Shower Hose Length: 59"
 Spout Reach: 9"
 Water Pressure Maximum: 85 PSI
 Water Pressure Minimum: 20 PSI
 Water Pressure Recommended: 60 PSI

■ **PRODUCT DIMENSIONS**



www.phylrich.com

1261 Logan Avenue, Costa Mesa, California 92626.
 Phone: 714.361.4800 Fax: 714.617.3120



CODES & STANDARDS

ASME A112.181/ CSA B1251, ASME 112.18.2/ CSA B125.2, ANSI NSF, CEC

WARRANTY

Mechanical Warranty: 10 Years from date of purchase.
 Finish Warranty: See catalog for further information.

Rev-