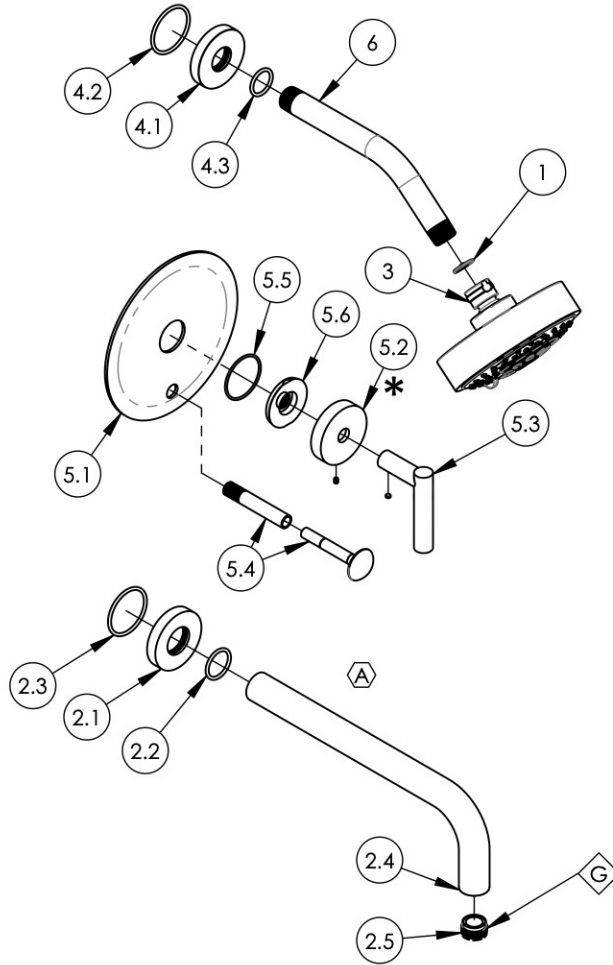


- NOTE(S):
- PART NUMBER, "/00" DENOTES PART SHALL HAVE FINISH.
 - APPLY NSF COMPLIANT GREASE TO ANY O-RING, SEALING JOINTS, AND/OR PIVOTAL POINTS.
 - APPLY NSF COMPLIANT LOCTITE TO THREADED AREA.
 - APPLY NSF COMPLIANT REMOVABLE (BLUE) LOCTITE TO THREADED AREA.
 - SILVER SOLDER JOINTS SHALL BE FULLY WETTED VIA CAPILLARY ACTION AND COMPLETELY NON-POROUS.
 - FOR DEEPER ESCUTCHEON:
 - 3-353/00
 - 92401



ITEM NO.	PART NUMBER	DESCRIPTION	QTY.
1	11432	1.75 GPM FLOW REGULATOR	1
2	3-419/00	WALL TUB, SPOUT ONLY, 10" L, BASIC	1
2.1	P19017/00	ESCUTCHEON, FOR SPOUT	1
2.2	90119	O-RING, 15/16"ID X 1-1/8"OD X 3/32"THK, AS-568-119	1
2.3	90129	O-RING, 1-9/16"ID X 3/32THK, AS-568-129	1
2.4	10479/00	10" WALL LAV SPOUT, BASIC SERIES	1
2.5	P05024	AERATOR CACHE COIN SLOT, M21.5X1.0 FULL FLOW	1
3	3-454/00	SHOWER HEAD MULTI. FUNC. CONTEMP.	1
4	3-700/00	SHOWER FLANGE, CONTEMPORARY, ROUND	1
4.1	P16019/00	BASE SHOWER FLANGE, BASIC SERIES	1
4.2	90129	O-RING, 1-9/16"ID X 3/32THK, AS-568-129	1
4.3	90117	O-RING, 7/8"ID X 33/32"THK., AS-568-117	1
5	4-597/00	SHOWER TRIM PLATE, PRESSURE BALANCE DIVERTED, LEVER, TRANSITION	1
5.1	10445/00	TRIM PLATE 6" ROUND W/ DIVERTER HOLE, BASIC II	1
*	5.2	ESCUTCHEON W/ SET SCREW, TRANSITION	1
5.3	3-581/00	HANDLE LEVER W/ SET SCREW, TRANSITION	1
5.4	3-125/00	DIVERTER EXTENSION ASSY FOR PB TUB & SHOWER SET	1
5.5	90029	O-RING, 1-5/8"ID X 1-3/4"OD X 1/16"THK, AS-568-029	1
5.6	11003	SLEEVE MOUNT, WALL MT WIDESPREAD	1
6	P16008/00	SHOWER ARM (8 INCH)	1

B4	A	UPDATE SPOUT ASSEMBLY	11/2/2021	AMM
ZONE	REV.	DESCRIPTION	DATE	APPROVED
REVISIONS				

1261 LOGAN AVENUE
COSTA MESA, CALIFORNIA 92626
PHONE: 714.361.4800
FAX: 714.617.3120

PHYLIRICH[®]
Defining Luxury Since 1959

PROPRIETARY AND CONFIDENTIAL
THE INFORMATION CONTAINED IN THIS DRAWING IS THE SOLE PROPERTY OF PHYLIRICH. ANY REPRODUCTION IN PART OR AS A WHOLE WITHOUT THE WRITTEN PERMISSION OF PHYLIRICH IS PROHIBITED.
DO NOT SCALE DRAWING

SHOWER TRIM SET, PB, TUB & SHOWER,
SPOUT 10" W/ LEVER, TRANSITION

SIZE A	ASM/PRT NO. 120-27-10/00	REV A
SCALE: 1:6.25	WEIGHT: lbs.	SHEET 1 OF 2