

NOTE(S):  
 1. PART NUMBER, "/00" DENOTES PART SHALL HAVE FINISH.

2. APPLY NSF COMPLIANT GREASE TO ANY O-RING, SEALING JOINTS, AND/OR PIVOTAL POINTS.

3. APPLY NSF COMPLIANT LOCTITE TO THREADED AREA:

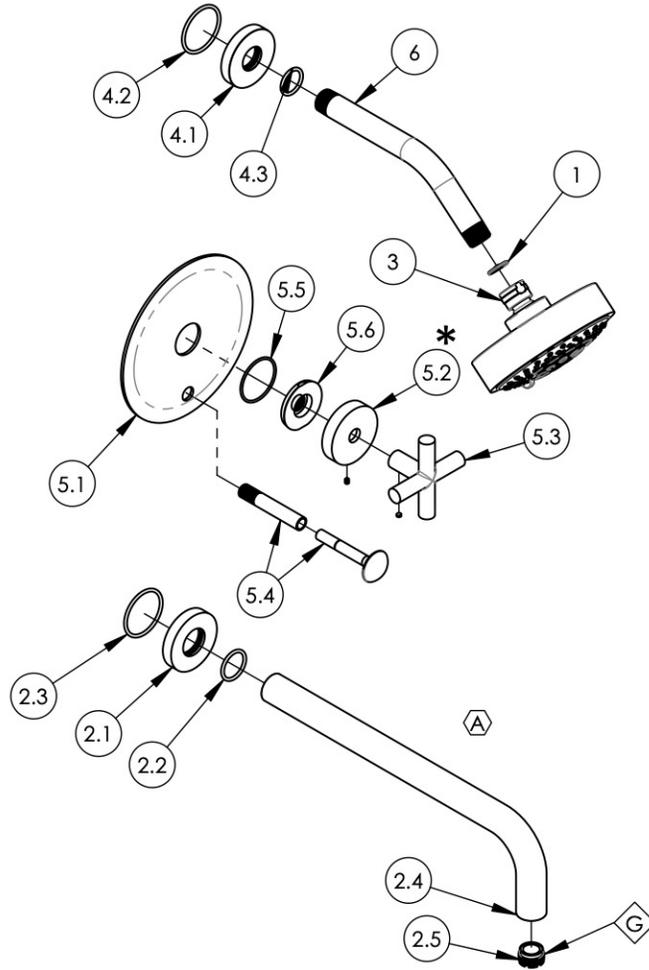
4. APPLY NSF COMPLIANT REMOVABLE (BLUE) LOCTITE TO THREADED AREA:

5. SILVER SOLDER JOINTS SHALL BE FULLY WETTED VIA CAPILLARY ACTION AND COMPLETELY NON-POROUS:

6. FOR DEEPER ESCUTCHEON:

A. 3-353/00  
 B. 92401

G  
 L  
 B  
 S



ITEM NO.	PART NUMBER	DESCRIPTION	QTY.
1	11432	1.75 GPM FLOW REGULATOR	1
2	3-420/00	WALL TUB, SPOUT ONLY, 12" L, BASIC	1
2.1	P19017/00	ESCUTCHEON, FOR SPOUT	1
2.2	90119	O-RING, 15/16"ID X 1-1/8"OD X 3/32"THK, AS-568-119	1
2.3	90129	O-RING, 1-9/16"ID X 3/32THK, AS-568-129	1
2.4	10480/00	12" WALL LAV SPOUT, BASIC SERIES	1
2.5	P05024	AERATOR CACHE COIN SLOT, M21.5X1.0 FULL FLOW	1
3	3-454/00	SHOWER HEAD MULTI. FUNC. CONTEMP.	1
4	3-700/00	SHOWER FLANGE, CONTEMPORARY, ROUND	1
4.1	P16019/00	BASE SHOWER FLANGE, BASIC SERIES	1
4.2	90129	O-RING, 1-9/16"ID X 3/32THK, AS-568-129	1
4.3	90117	O-RING, 7/8"ID X 33/32"THK., AS-568-117	1
5	4-596/00	SHOWER TRIM PLATE, PRESSURE BALANCE DIVERTED, CROSS, TRANSITION	1
5.1	10445/00	TRIM PLATE 6" ROUND W/ DIVERTER HOLE, BASIC II	1
*	5.2	ESCUTCHEON W/ SET SCREW, TRANSITION	1
5.3	3-580/00	HANDLE CROSS W/ SET SCREW, TRANSITION	1
5.4	3-125/00	DIVERTER EXTENSION ASSY FOR PB TUB & SHOWER SET	1
5.5	90029	O-RING, 1-5/8"ID X 1-3/4"OD X 1/16"THK, AS-568-029	1
5.6	11003	SLEEVE MOUNT, WALL MT WIDESPREAD	1
6	P16008/00	SHOWER ARM (8 INCH)	1

B4	A	UPDATE SPOUT ASSEMBLY	11/1/2021	AMM
ZONE	REV.	DESCRIPTION	DATE	APPROVED
REVISIONS				

1261 LOGAN AVENUE  
 COSTA MESA, CALIFORNIA 92626  
 PHONE: 714.361.4800  
 FAX: 714.617.3120

**PHYLIRICH**<sup>®</sup>  
 Defining Luxury Since 1959

**PROPRIETARY AND CONFIDENTIAL**  
 THE INFORMATION CONTAINED IN THIS DRAWING IS THE SOLE PROPERTY OF PHYLIRICH. ANY REPRODUCTION IN PART OR AS A WHOLE WITHOUT THE WRITTEN PERMISSION OF PHYLIRICH IS PROHIBITED.  
**DO NOT SCALE DRAWING**

SHOWER TRIM SET PB, TUB & SHOWER,  
 SPOUT 12" W/ CROSS, TRANSITION

SIZE	ASM/PRT NO.	REV
<b>A</b>	120-26-12/00	<b>A</b>
SCALE: 1:6.25	WEIGHT: lbs.	SHEET 1 OF 2