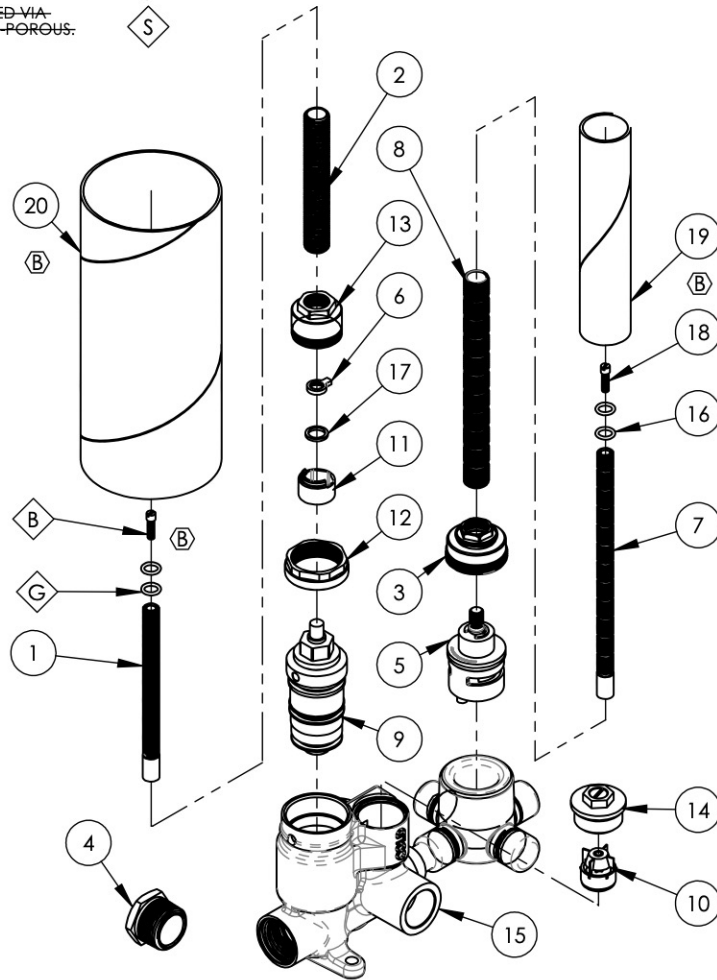


- NOTE(S):
1. PART NUMBER, "/00" DENOTES PART SHALL HAVE FINISH.
 2. APPLY NSF COMPLIANT GREASE TO ANY O-RING, SEALING JOINTS, AND/OR PIVOTAL POINTS.
 3. APPLY NSF COMPLIANT LOCTITE TO THREADED AREA.
 4. APPLY NSF COMPLIANT REMOVABLE (BLUE) LOCTITE TO THREADED AREA.
 5. SILVER SOLDER JOINTS SHALL BE FULLY WETTED VIA CAPILLARY ACTION AND COMPLETELY NON-POROUS.



ITEM NO.	PART NO.	DESCRIPTION	QTY.
1	10054	STEM EXTENSION, 6" LONG 20PT INT. TO 16PT LONG EXT. BROACH	1
2	10209	SHANK, NIPPLE THREAD ALL 9/16"-20UN WITH .433"ID	1
3	10349	NUT CAP FOR 3WAY DIVERTER	1
4	10668	PLUG 3/4" NPT	1
5	11297	CARTRIDGE, DIVERTER, 3WAY, NON-SHARE W/ OFF	1
6	11320	SAFETY AND MECHANICAL STOP, MINI THERM	1
7	11416	STEM EXTENSION, 20PT TO 16PT, XXL	1
8	11498	ALL THREAD, EXTENSION, 9/16"-20, 5-9/16"L, XXL	1
9	11583	CARTRIDGE, THERMOSTAR 3/4" S25, TYPE2	1
10	11593	CHECK VALVE, MEDI-THERMOSTATIC 3/4"	2
11	11598	CARTRIDGE LIMIT STOP SLEEVE, MEDI THERM	1
12	11599	RETAINER NUT FOR MEDI THERM CARTRIDGE	1
13	11610	MEDITHERM NUT FOR ALL THREAD	1
14	2-256	SUB ASSY, CHECK VALVE, MEDI THERM 3/4"	2
15	2-261	MEDITHERM W/ 3-WAY DIVERTER, BRAZE	1
	11677	VALVE BODY, MEDI-THERM 3/4" SWEAT & NPT OUTLET	1
	10348	VALVE BODY, DIVERTER THREE WAY 4PORT, FROM FORGED	1
	11612	REDUCER, MALES 3/4" TO 1/2"	1
16	90011	O-RING, 5/16"ID X 1/16"THK, AS-568-011	4
17	92050	WASHER ACETAL 0.060 THK	1
18	92157	SCREW, SMALL HD M4X0.7 - 1/2"L	2
19	11648	MUD GUARD, CARDBOARD, LONG	1
20	12274	MUD GUARD, CARDBOARD, MEDI THERM, 3-1/8" OD X 7-1/4" LENGTH	1

ALL	B	UPDATED MUD GUARDS	1/25/2023	LFV
ZONE	REV.	DESCRIPTION	DATE	APPROVED
REVISIONS				

1261 LOGAN AVENUE
COSTA MESA, CALIFORNIA 92626
PHONE: 714.361.4800
FAX: 714.617.3120

PHYLIRICH
D.L. Long Lumber & Supply

PROPRIETARY AND CONFIDENTIAL
THE INFORMATION CONTAINED IN THIS DRAWING IS THE SOLE PROPERTY OF PHYLIRICH. ANY REPRODUCTION IN PART OR AS A WHOLE WITHOUT THE WRITTEN PERMISSION OF PHYLIRICH IS PROHIBITED.
DO NOT SCALE DRAWING

ASSY, 3/4" MEDI-THERMOSTATIC WITH 3-WAY DIVERTER, 5" C2C, CAL-GREEN

SIZE A	ASM/PRT NO. 1-137	REV B
SCALE: 1:4.25	WEIGHT: lbs.	SHEET 1 OF 2