

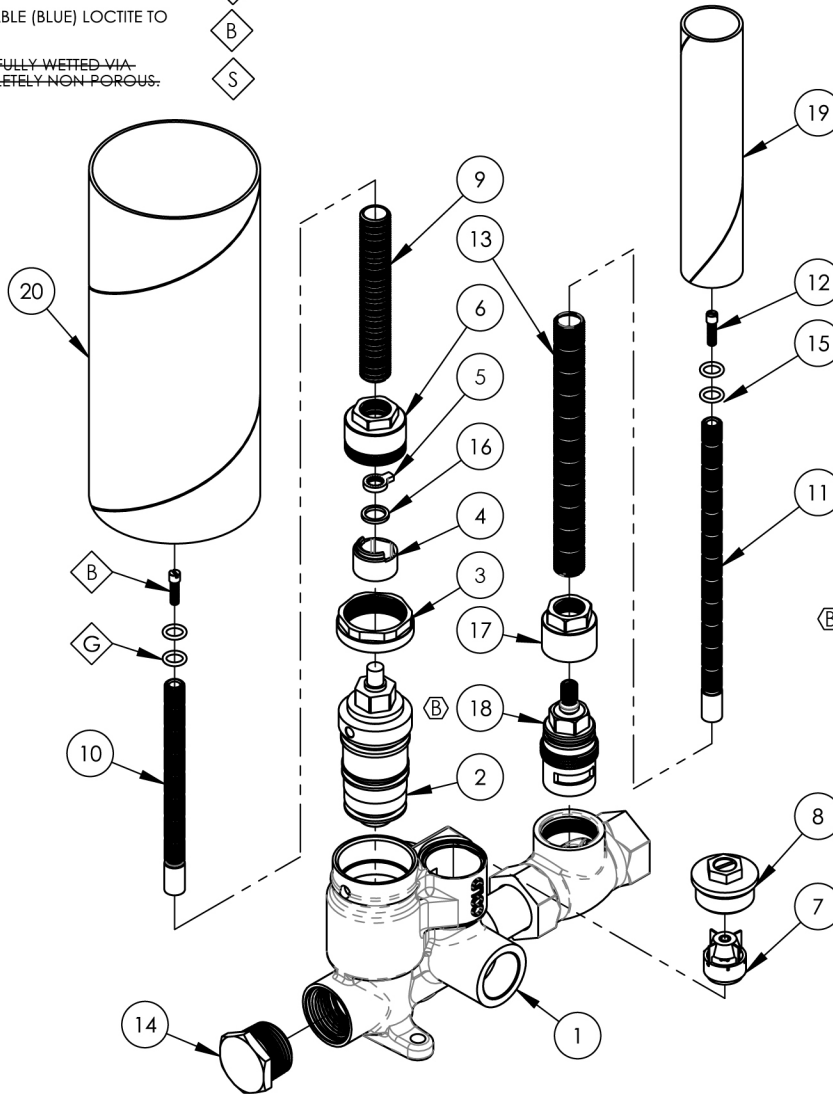
NOTE(S):  
 1. PART NUMBER, "/00" DENOTES PART SHALL HAVE FINISH.

2. APPLY NSF COMPLIANT GREASE TO ANY O-RING, SEALING JOINTS, AND/OR PIVOTAL POINTS.

3. APPLY NSF COMPLIANT LOCTITE TO THREADED AREA.

4. APPLY NSF COMPLIANT REMOVABLE (BLUE) LOCTITE TO THREADED AREA.

5. SILVER SOLDER JOINTS SHALL BE FULLY WETTED VIA CAPILLARY ACTION AND COMPLETELY NON-POROUS.



| ITEM NO. | PART NUMBER | DESCRIPTION   | QTY. |
|----------|-------------|---|------|
| 1        | 2-259       | 3/4" MEDITHERM W/ VOLUME CTRL, 5" C-C                       | 1    |
| 2        | 11583       | CARTRIDGE, THERMOSTAR 3/4" S25, TYPE2                       | 1    |
| 3        | 11599       | RETAINER NUT FOR MEDI THERM CARTRIDGE                       | 1    |
| 4        | 11598       | CARTRIDGE LIMIT STOP SLEEVE, MEDI THERM                     | 1    |
| 5        | 11320       | SAFETY AND MECHANICAL STOP, MINI THERM                      | 1    |
| 6        | 11610       | MEDITHERM NUT FOR ALL THREAD                                | 1    |
| 7        | 11593       | CHECK VALVE, MEDI-THERMOSTATIC 3/4"                         | 2    |
| 8        | 2-256       | SUB ASSY, CHECK VALVE, MEDI THERM 3/4"                      | 2    |
| 9        | 10209       | SHANK, NIPPLE THREAD ALL 9/16"-20UN WITH .433"ID            | 1    |
| 10       | 10054       | STEM EXTENSION, 6" LONG 20PT INT. TO 16PT LONG EXT. BROACH  | 1    |
| 11       | 11416       | STEM EXTENSION, 20PT TO 16PT, XXL                           | 1    |
| 12       | 92157       | SCREW, SMALL HD M4X0.7 - 1/2"L                              | 2    |
| 13       | 11498       | ALL THREAD, EXTENSION, 9/16"-20, 5-9/16"L, XXL              | 1    |
| 14       | 10668       | PLUG 3/4" NPT   | 1    |
| 15       | 90011       | O-RING, 5/16"ID X 1/16"THK, AS-568-011                      | 4    |
| 16       | 92050       | WASHER ACETAL 0.060 THK                                     | 1    |
| 17       | 11321       | CARTRIDGE RETAINER NUT                                      | 1    |
| 18       | 11542       | CARTRIDGE, 1/2" 20PT, COLD, HI-TRQ LLL, EXACTO              | 1    |
| 19       | 11648       | MUD GUARD, CARDBOARD, LONG                                  | 1    |
| 20       | 12274       | MUD GUARD, CARDBOARD, MEDI THERM, 3-1/8" OD X 7-1/4" LENGTH | 1    |

|           |      |                   |           |          |
|-----------|------|-------------------|-----------|----------|
| ALL       | B    | UPDATED COMPONENT | 2/14/2025 | VA       |
| ZONE      | REV. | DESCRIPTION       | DATE      | APPROVED |
| REVISIONS |      |                   |           |          |

1261 LOGAN AVENUE  
 COSTA MESA, CALIFORNIA 92626  
 PHONE: 714.361.4800  
 FAX: 714.617.3120

**PHYLIRICH**<sup>®</sup>  
 Defining Luxury Since 1959

PROPRIETARY AND CONFIDENTIAL  
 THE INFORMATION CONTAINED IN THIS DRAWING IS THE SOLE PROPERTY OF PHYLIRICH. ANY REPRODUCTION IN PART OR AS A WHOLE WITHOUT THE WRITTEN PERMISSION OF PHYLIRICH IS PROHIBITED.  
 DO NOT SCALE DRAWING

ASSY, MEDITHERM W/ VOLUME CONTROL

|              |              |              |
|--------------|--------------|--------------|
| SIZE         | ASM/PRT NO.  | REV          |
| <b>A</b>     | 1-136        | <b>C</b>     |
| SCALE: 1:3.5 | WEIGHT: lbs. | SHEET 1 OF 2 |