

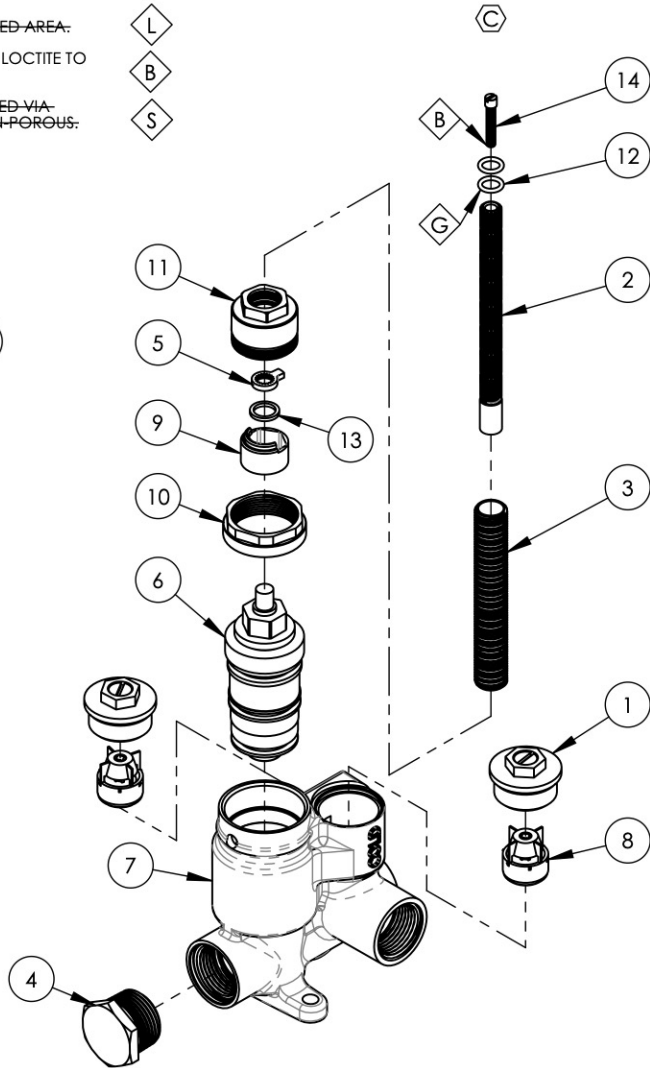
NOTE(S):  
 1. PART NUMBER, "/00" DENOTES PART SHALL HAVE FINISH.

2. APPLY NSF COMPLIANT GREASE TO ANY O-RING, SEALING JOINTS, AND/OR PIVOTAL POINTS.

3. APPLY NSF COMPLIANT LOCTITE TO THREADED AREA.

4. APPLY NSF COMPLIANT REMOVABLE (BLUE) LOCTITE TO THREADED AREA.

5. SILVER SOLDER JOINTS SHALL BE FULLY WETTED VIA CAPILLARY ACTION AND COMPLETELY NON-POROUS.



ITEM NO.	PART NUMBER	DESCRIPTION	QTY.
1	2-256	SUB ASSY, CHECK VALVE, MEDI THERM 3/4"	2
2	10054	STEM EXTENSION, 6" LONG 20PT INT. TO 16PT LONG EXT. BROACH	1
3	10209	SHANK, NIPPLE THREAD ALL 9/16"-20UN WITH .433"ID	1
4	10668	PLUG 3/4" NPT	1
5	11320	SAFETY AND MECHANICAL STOP, MINI THERM	1
6	11583	CARTRIDGE, THERMOSTAR 3/4" S25, TYPE2	1
7	11687	VALVE BODY, MEDI-THERM TWO 3/4" NPT OUTLETS	1
8	11593	CHECK VALVE, MEDI-THERMOSTATIC 3/4"	2
9	11598	CARTRIDGE LIMIT STOP SLEEVE, MEDI THERM	1
10	11599	RETAINER NUT FOR MEDI THERM CARTRIDGE	1
11	11610	MEDITHERM NUT FOR ALL THREAD	1
12	90011	O-RING, 5/16"ID X 1/16"THK, AS-568-011	2
13	92050	WASHER ACETAL 0.060 THK	1
14	92335	SCREW, FLAT HEAD, M4X0.7 - 1" OVERALL LENGTH	1
15	12274	MUD GUARD, CARDBOARD, MEDI THERM, 3-1/8" OD X 7-1/4" LENGTH	1

ZONE	REV.	DESCRIPTION	DATE	APPROVED
E3	C	REMOVED MUD GUARD	10/12/2023	LFV
REVISIONS				

1261 LOGAN AVENUE  
 COSTA MESA, CALIFORNIA 92626  
 PHONE: 714.361.4800  
 FAX: 714.617.3120

**PHYLIRICH**<sup>®</sup>  
 Defining Luxury Since 1959

**PROPRIETARY AND CONFIDENTIAL**  
 THE INFORMATION CONTAINED IN THIS DRAWING IS THE SOLE PROPERTY OF PHYLIRICH. ANY REPRODUCTION IN PART OR AS A WHOLE WITHOUT THE WRITTEN PERMISSION OF PHYLIRICH IS PROHIBITED.  
**DO NOT SCALE DRAWING**

3/4" MEDI-THERMOSTATIC COMPLETE

SIZE <b>A</b>	ASM/PRT NO. 1-135	REV C
SCALE: 1:3.25	WEIGHT: lbs.	SHEET 1 OF 2