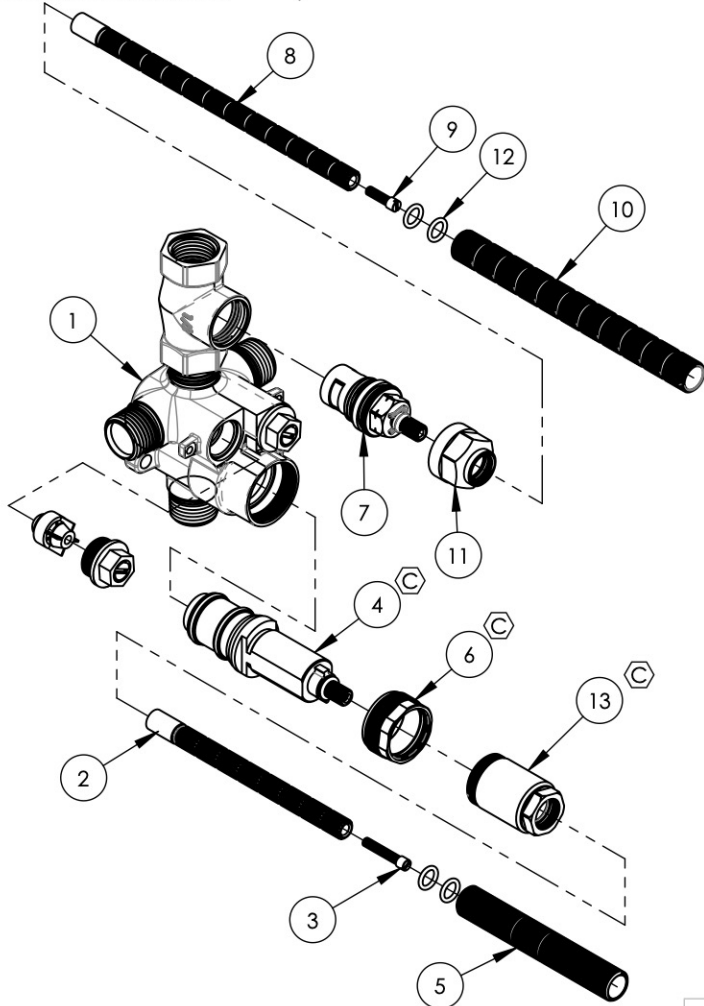


NOTE(S):
1. PART NUMBER, "/00" DENOTES PART SHALL HAVE FINISH.

2. APPLY NSF COMPLIANT GREASE TO ANY O-RING, SEALING JOINTS, AND/OR PIVOTAL POINTS.
3. APPLY NSF COMPLIANT LOCTITE TO THREADED AREA.
4. APPLY NSF COMPLIANT REMOVABLE (BLUE) LOCTITE TO THREADED AREA.
5. SILVER SOLDER JOINTS SHALL BE FULLY WETTED VIA CAPILLARY ACTION AND COMPLETELY NON-POROUS.



ITEM NO.	PART NUMBER	DESCRIPTION	QTY.
1	2-179	SUB ASSY. MINI THERM W/ 1/2" SHUT OFF VALVE	1
2	10054	STEM EXTENSION, 6" LONG 20PT INT. TO 16PT LONG EXT. BROACH	1
3	92335	SCREW, FLAT HEAD, M4X0.7 - 1" OVERALL LENGTH	1
4	11973	CARTRIDGE MINI-THERM. VALVE, INTEGRATED LIMIT STOP, THERMOSTAR S18 TYP 2	1
5	10209	SHANK, NIPPLE THREAD ALL 9/16"-20UN WITH .433"ID	1
6	12076	RETAINER NUT, NEW CRTRIDGE W/ INTEGRATED STOP	1
7	10257	CARTRIDGE, VALVE 1/2"G W/ M24X1.0 & M4 20PT COLD	1
8	11416	STEM EXTENSION, 20PT TO 16PT, XXL	1
9	92157	SCREW, SMALL HD M4X0.7 - 1/2"L	1
10	11498	ALL THREAD, EXTENSION, 9/16"-20, 5-9/16"L, XXL	1
11	10058	NUT, ADAPTOR CART. TO THREADALL, M24X1.0 - 9/16"-20UN	1
12	90011	O-RING, 5/16"ID X 1/16"THK, AS-568-011	4
13	12073	COVER SLEEVE ADAPTOR, MINI THERM, FOR INTEGRATED LIMIT STOP	1

B4	C	UPDATED DRAWING & COMPONENTS	6/30/2020	RAH
ZONE	REV.	DESCRIPTION	DATE	APPROVED
REVISIONS				

1261 LOGAN AVENUE
COSTA MESA, CALIFORNIA 92626
PHONE: 714.361.4800
FAX: 714.617.3120

PHYLIRICH[®]
Defining Luxury Since 1959

PROPRIETARY AND CONFIDENTIAL
THE INFORMATION CONTAINED IN THIS DRAWING IS THE SOLE PROPERTY OF PHYLIRICH. ANY REPRODUCTION IN PART OR AS A WHOLE WITHOUT THE WRITTEN PERMISSION OF PHYLIRICH IS PROHIBITED.

-		INTERPRET GEOMETRIC DIMENSIONING & TOLERANCING IN ACCORDANCE WITH ASME Y14.5-2009 & ASME Y14.41-2003 STANDARDS, UNLESS OTHERWISE SPECIFIED. DIMENSIONS ARE IN INCHES. TOLERANCES ARE:		
NEXT ASSY	USED ON	FRACTIONS ±1/16"	DECIMALS X.X: ±.1 X.XX: ±.01 X.XXX: ±.005	ANGULAR ±2°
APPLICATION		MATERIAL	NAME	DATE
FINISH		DRAWN	11/11/2014	
DO NOT SCALE DRAWING		CHECKED		

MINI THERMOSTATIC VALVE W/ VOLUME CONTROL

SIZE	ASM/PRT NO.	REV
A	1-122	C

SCALE: 1:3.25 WEIGHT: lbs. SHEET 1 OF 2