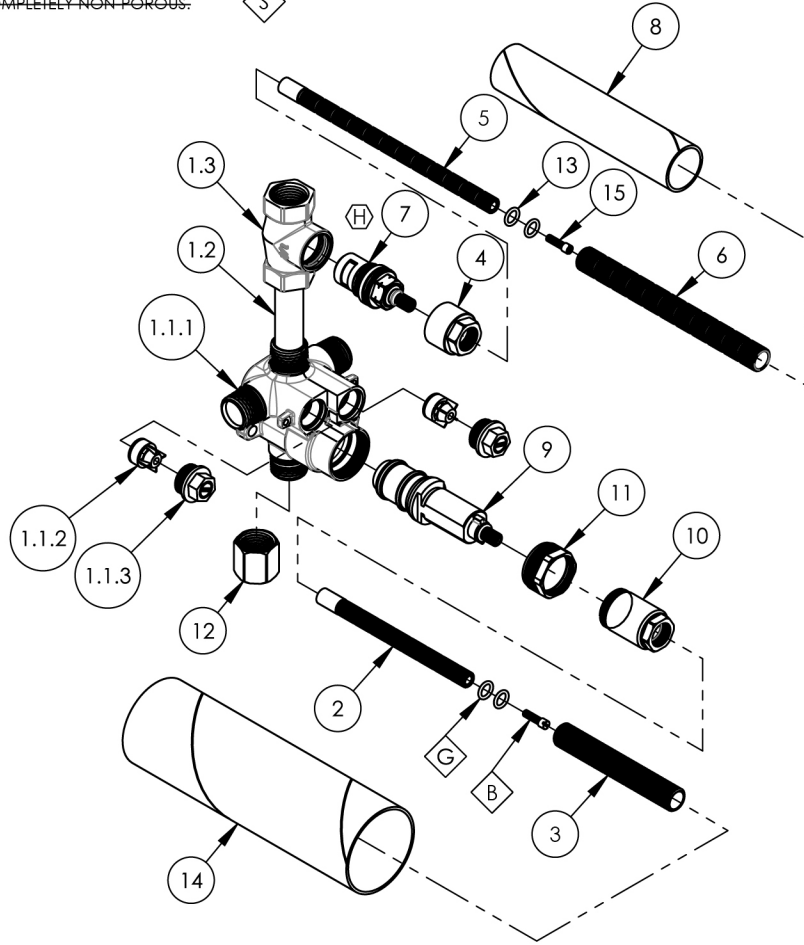


NOTE(S):

1. PART NUMBER, "/00" DENOTES PART SHALL HAVE FINISH.
2. APPLY NSF COMPLIANT GREASE TO ANY O-RING, SEALING JOINTS, AND/OR PIVOTAL POINTS.
3. APPLY NSF COMPLIANT LOCTITE TO THREADED AREA.
4. APPLY NSF COMPLIANT REMOVABLE (BLUE) LOCTITE TO THREADED AREA.
5. SILVER SOLDER JOINTS SHALL BE FULLY WETTED VIA CAPILLARY ACTION AND COMPLETELY NON POROUS.



ITEM NO.	PART NUMBER	DESCRIPTION	QTY.
1	2-131	BRAZED MINI THERMO W/ 1/2" SHUTOFF BODY	1
1.1	1-113	MINI THERMOSTATIC BODY W/SHUTOFFS	1
1.1.1	10624	BODY, MINI THERMOSTATIC	1
1.1.2	11197	CHECK VALVE INSERT, SPRING LOADED, NV15-15MM OD	2
1.1.3	2-130	SHUTOFF NUT, MINI THERMO	2
1.2	11667	1/2" COPPER TUBE, 2.739" L, SWEAT FIT	1
1.3	11665	BODY FORGED, SHUTOFF SLIP-FIT TO 1/2" NPT	1
2	10054	STEM EXTENSION, 6" LONG 20PT INT. TO 16PT LONG EXT. BROACH	1
3	10209	SHANK, NIPPLE THREAD ALL 9/16"-20UN WITH .433"ID	1
4	11321	CARTRIDGE RETAINER NUT	1
5	11416	STEM EXTENSION, 20PT TO 16PT, XXL	1
6	11498	ALL THREAD, EXTENSION, 9/16"-20, 5-9/16"L, XXL	1
7	11540	CARTRIDGE, 1/2"G 20PT COLD, HI-TRQ LLL, EXACTO	1
8	11648	MUD GUARD, CARDBOARD, LONG	1
9	11973	CARTRIDGE MINI-THERM. VALVE, INTEGRATED LIMIT STOP, THERMOSTAR S18 TYP 2	1
10	12073	COVER SLEEVE ADAPTOR, MINI THERM, FOR INTEGRATED LIMIT STOP	1
11	12076	RETAINER NUT, NEW CRTRIDGE W/ INTEGRATED STOP	1
12	30238	HEX CAP, 1/2" NPT	1
13	90011	O-RING, 5/16"ID X 1/16"THK, AS-568-011	4
14	12272	MUD GUARD, CARDBOARD, MINI THERM, 2-1/8" OD X 7" LENGTH	1
15	92157	SCREW, SMALL HD M4X0.7 - 1/2"L	2

ALL	H	UPDATED COMPONENT	2/10/2025	VA
ZONE	REV.	DESCRIPTION	DATE	APPROVED
REVISIONS				

1261 LOGAN AVENUE  
COSTA MESA, CALIFORNIA 92626  
PHONE: 714.361.4800  
FAX: 714.617.3120

**PHYLIRICH**<sup>®</sup>  
Defining Luxury Since 1959

PROPRIETARY AND CONFIDENTIAL  
THE INFORMATION CONTAINED IN THIS DRAWING IS THE SOLE PROPERTY OF PHYLIRICH. ANY REPRODUCTION IN PART OR AS A WHOLE WITHOUT THE WRITTEN PERMISSION OF PHYLIRICH IS PROHIBITED.  
DO NOT SCALE DRAWING

1/2" MINI-THERMOSTATIC VALVE W/  
VOLUME CONTROL

SIZE	ASM/PRT NO.	REV
<b>A</b>	1-116	H
SCALE: 1:4.25	WEIGHT: lbs.	SHEET 1 OF 2