

NOTE(S):
 1. PART NUMBER, "/00" DENOTES PART SHALL HAVE FINISH.

2. APPLY NSF COMPLIANT GREASE TO ANY O-RING, SEALING JOINTS, AND/OR PIVOTAL POINTS.

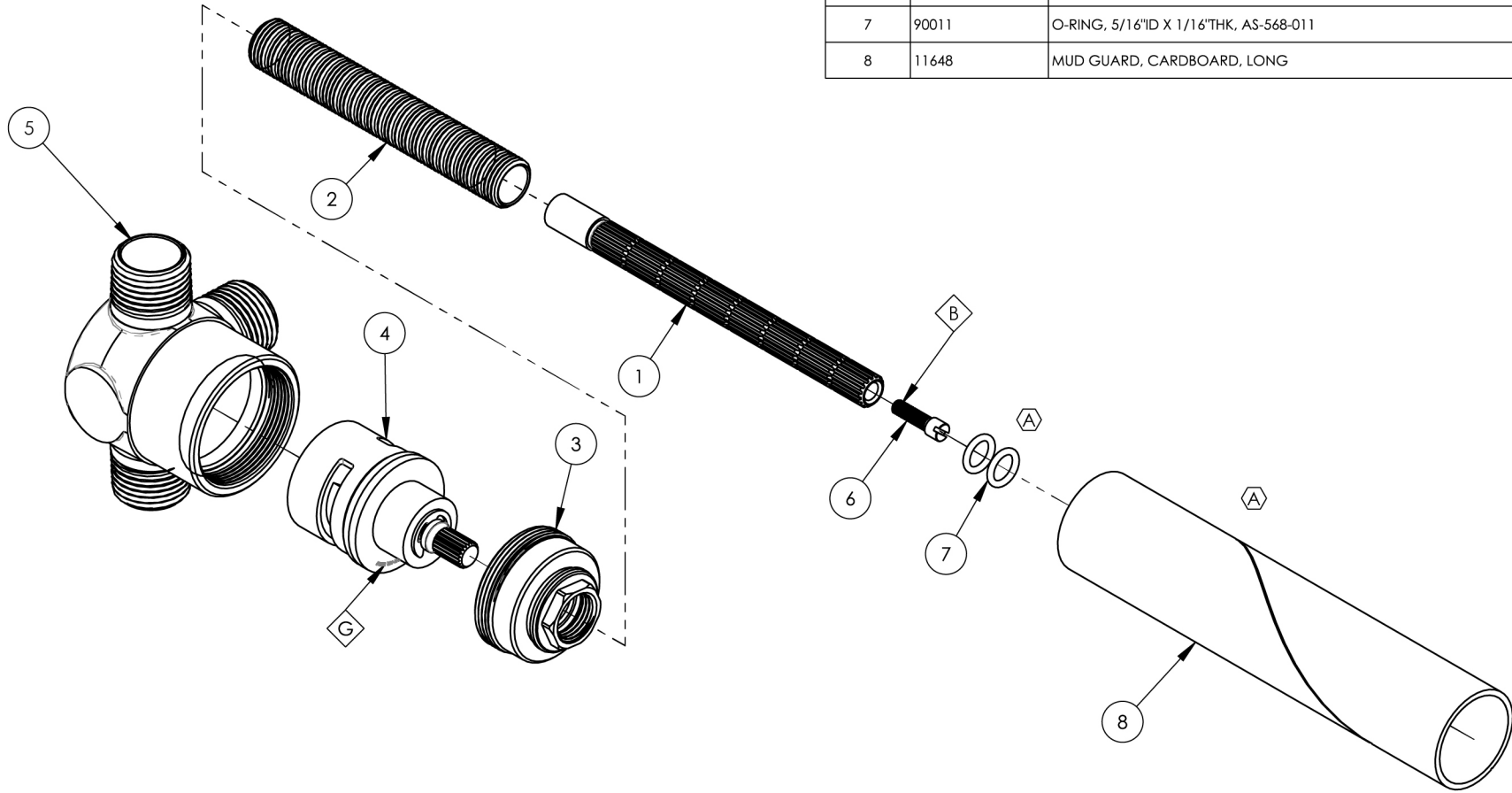
3. APPLY NSF COMPLIANT LOCTITE TO THREADED AREA.

4. APPLY NSF COMPLIANT REMOVABLE (BLUE) LOCTITE TO THREADED AREA.

5. SILVER SOLDER JOINTS SHALL BE FULLY WETTED VIA CAPILLARY ACTION AND COMPLETELY NON-POROUS.



ITEM NO.	PART NUMBER	DESCRIPTION	QTY.
1	10054	STEM EXTENSION, 6" LONG 20PT INT. TO 16PT LONG EXT. BROACH	1
2	10209	SHANK, NIPPLE THREAD ALL 9/16"-20UN WITH .433"ID	1
3	10349	NUT CAP FOR 3WAY DIVERTER	1
4	11568	CARTRIDGE, DIVERTER 2WAY, SHARED W/ OFF	1
5	11579	VALVE BODY, DIVERTER TWO WAY RIGHT PORT, FROM FORGED	1
6	92157	SCREW, SMALL HD M4X0.7 - 1/2"L	1
7	90011	O-RING, 5/16"ID X 1/16"THK, AS-568-011	2
8	11648	MUD GUARD, CARDBOARD, LONG	1



C2	A	ADDED O-RINGS AND MUD GUARD	3/14/2025	RAH
ZONE	REV.	DESCRIPTION	DATE	APPROVED
REVISIONS				

1261 LOGAN AVENUE
 COSTA MESA, CALIFORNIA 92626
 PHONE: 714.361.4800
 FAX: 714.617.3120

PHYLIRICH[®]
 Defining Luxury Since 1959

PROPRIETARY AND CONFIDENTIAL
 THE INFORMATION CONTAINED IN THIS DRAWING IS THE SOLE PROPERTY OF PHYLIRICH. ANY REPRODUCTION IN PART OR AS A WHOLE WITHOUT THE WRITTEN PERMISSION OF PHYLIRICH IS PROHIBITED.

NEXT ASSY		USED ON		INTERPRET GEOMETRIC DIMENSIONING & TOLERANCING IN ACCORDANCE WITH ASME Y14.5-2009 & ASME Y14.41-2003 STANDARDS, UNLESS OTHERWISE SPECIFIED. DIMENSIONS ARE IN INCHES. TOLERANCES ARE:		
APPLICATION		FRACTIONS	DECIMALS	ANGULAR		
MATERIAL		±1/16"	X.X: ±.1	±2°		
FINISH			X.XX: ±.01			
DO NOT SCALE DRAWING		CHECKED		NAME	DATE	
				MAF	4/9/2018	

INWALL DIVERTER, 2WAY, INLINE & RIGHT PORT, SHARED

SIZE	ASM/PRT NO.	REV
A	1-024	-

SCALE: 1:1.75 WEIGHT: lbs. SHEET 1 OF 2