

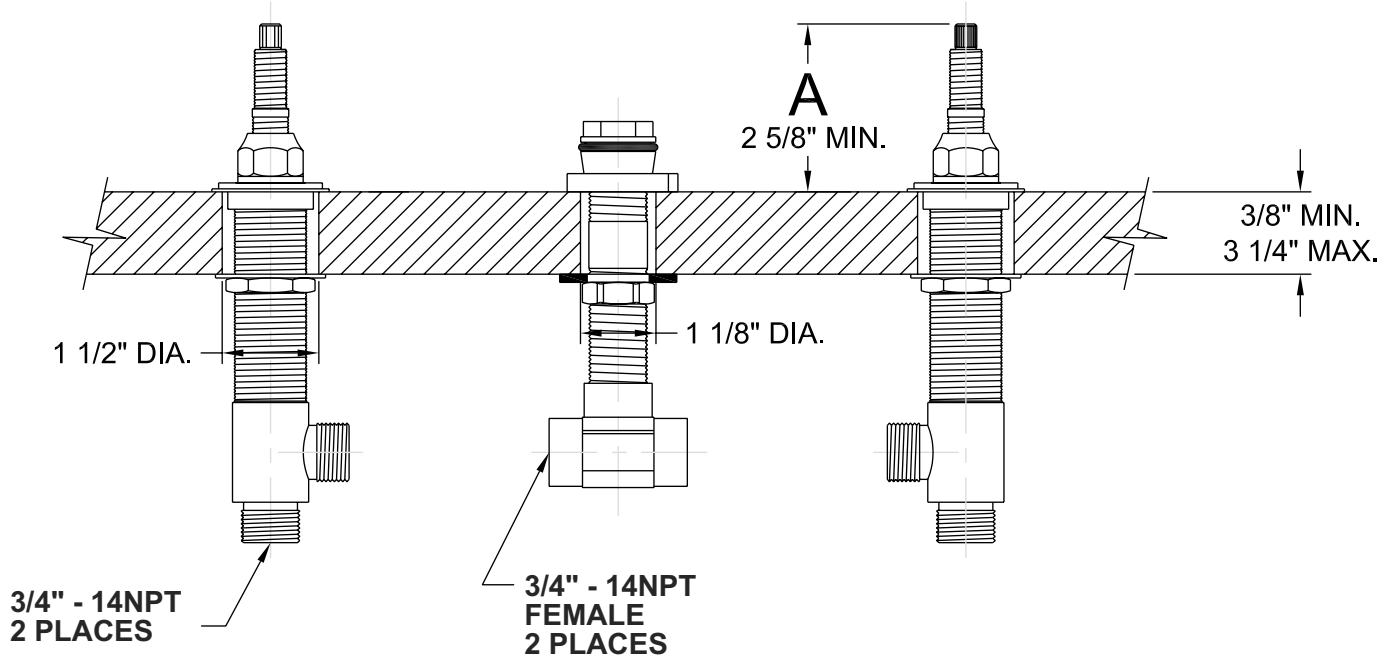
Valve shown:

**80001248**

**90001248**

## Rough In Specifications For Deck Tub Sets

IF YOU DO NOT KNOW THE TRIM NUMBER INSTALL THE VALVES AT A 2 5/8" ROUGH IN MEASUREMENT.  
(NOTE: THIS IS THE DISTANCE FROM THE FINISHED DECK TO THE TIP OF THE STEM.)



**ALL PHYLIRICH AND DORALFE VALVE INSTALLATIONS MUST FOLLOW THE MEASUREMENTS FOR "A" LISTED BELOW.**

**PLEASE CONSULT THE TRIM NUMBER FOR THE CORRECT ROUGH IN DIMENSION.**

Phylrich Prod#	Rough In	Phylrich Prod#	Rough In	Phylrich Prod#	Rough In	Doralfe Prod#	Rough In
K1101M.....	2 3/8"	K1160J.....	2 1/4"	K1241P.....	3"	D1100J.....	2 1/4"
K1104L.....	2 3/4"	K1161J.....	2 1/4"	K1242P.....	3"	D1102J.....	2 1/4"
K1105L.....	2 3/4"	K1162T.....	2 1/4"	K1243P.....	3"	D1103J.....	2 1/4"
K1109L.....	2 5/8"	K1163T.....	2 1/4"	K1244P.....	3"	D1111J.....	2 1/4"
K1110L.....	2 3/8"	K1170V.....	2 1/2"	K1251T.....	2 3/4"	D1130C.....	2 1/4"
K1120T.....	2 1/8"	K1171V.....	2 1/2"	K1261J.....	2 3/4"	D1132D.....	2 1/4"
K1120AT.....	2 1/8"	K1180G.....	3"	K1270P.....	3"	D1134C.....	2 1/4"
K1121T.....	2 1/8"	K1181P.....	3"	K1271P.....	3"	D1136D.....	2 1/4"
K1121AT.....	2 1/8"	K1183G.....	3"	K1272P.....	3"	D1137C.....	2 1/4"
K1123G.....	2 5/8"	K1184M.....	3"	K1273P.....	3"	D1139D.....	2 1/4"
K1137R.....	2 3/8"	K1190J.....	2 1/8"	K1274P.....	3"	D1200T.....	2 1/4"
K1137RSF.....	2 3/8"	K1190AJ.....	2 1/8"	K1291J.....	2 3/4"	D1202T.....	2 1/4"
K1141P.....	2 3/8"	K1191J.....	2 1/4"	K1291AJ.....	2 3/4"	D1203T.....	2 1/4"
K1144H.....	2 1/4"	K1191AJ.....	2 1/4"	K1338AP.....	2 1/2"	D1205E.....	2 3/4"
K1158AT.....	2 1/4"	K1211P.....	2 7/8"	K1338BP.....	2 1/2"	D1206E.....	2 3/4"
K1158BT.....	2 1/4"	K1230P.....	2 5/8"	K1338CP.....	2 1/2"	D1211A.....	2 1/4"
K1158CT.....	2 1/4"	K1231P.....	2 5/8"	K1338DP.....	2 1/2"	D1220A.....	2 1/4"
K1158DT.....	2 1/4"	K1234P.....	2 5/8"	K1338FP.....	2 1/2"	D1221A.....	2 1/4"
K1158FT.....	2 1/4"	K1240P.....	3"	K1361P.....	2 3/8"	D1222B.....	2 1/4"
						D1223B.....	2 1/4"