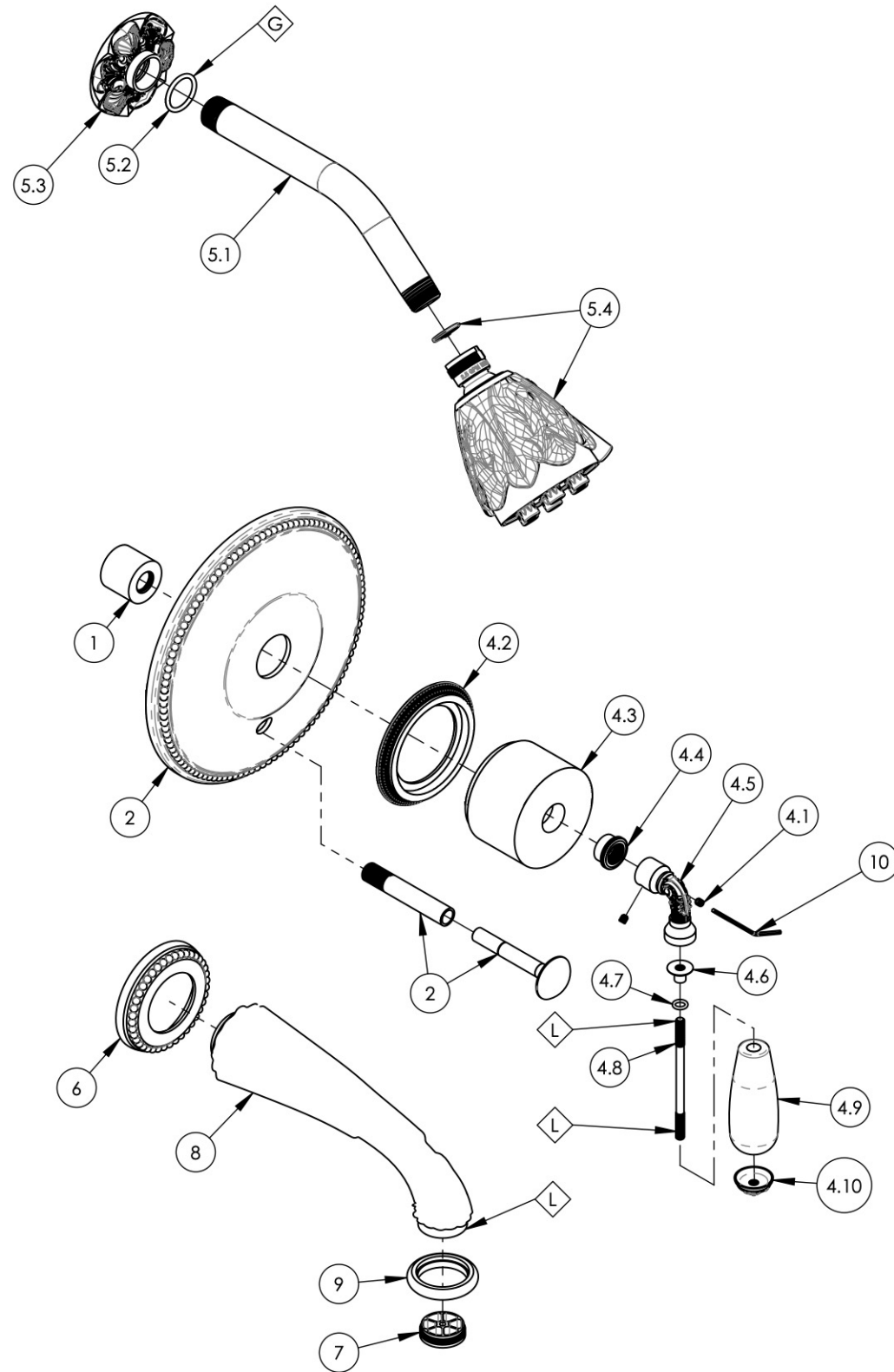


- NOTE(S):  
 1. PART NUMBER, "/00" DENOTES PART SHALL HAVE FINISH.  
 2. APPLY NSF COMPLIANT GREASE TO ANY O-RING, SEALING JOINTS, AND/OR PIVOTAL POINTS.  
 3. APPLY NSF COMPLIANT LOCTITE TO THREADED AREA.



ITEM NO.	PART NUMBER	DESCRIPTION	QTY.
1	11087	SLEEVE FOR PB-THERM PLATE	1
2	11392/00	PLATE, BEADED FOR PRESSURE BALANCE W/ DIVERTER	1
3	3-125/00	EXTENSION ASSY FOR PB TUB & SHOWER SET	1
4	3-457F/00	HANDLE, LEVER, GREEN MARBLE, VALENCIA	1
4.1	92008	SET SCREW, CUP POINT 8-32, 3/16" L.	2
4.2	P02016/00	ESCUTCHEON, K211 BOTTOM PLATE	1
4.3	K338FX2B	GREEN MARBLE INSERT	1
4.4	P02021/00	K261 COVER PLATE NUT	1
4.5	P01117/00	K211 HUB	1
4.6	P01040	K211 HANDLE STOPPER	1
4.7	90010	O-RING, 1/4"ID X 3/8"OD X 1/16"THK, AS-568-010	1
4.8	P01035	THREADED ROD FOR HANDLE 12-24, 3.5"L	1
4.9	K338FX1A	K338F GREEN MARBLE LEVER	1
4.10	P01023/00	K211 END CAP FOR HANDLE	1
5	K807/00	SHOWER HEAD, EMPIRE	1
5.1	P16008/00	SHOWER ARM (8 INCH)	1
5.2	90117	O-RING, 7/8"ID X 33/32"THK., AS-568-117	1
5.3	P16003/00	K804 FLANGE	1
5.4	3-579/00	ASSY, SHOWER JET, OVERLAY, EMPIRE	1
6	P03013/00	ESCUTCHEON, BEADED LAV. K 360 SPOUT BASE (P03004)	1
7	P05003	AERATOR, M28 x 1.0	1
8	P26012/00	K1141 WALL SPOUT	1
9	P27014/00	AERATOR RING	1
10	P39001	HEX KEY 5/64, FOR 8-32 SET SCREW	1

ZONE	REV.	DESCRIPTION	DATE	APPROVED
REVISIONS				
PROPRIETARY AND CONFIDENTIAL				
THE INFORMATION CONTAINED IN THIS DRAWING IS THE SOLE PROPERTY OF PHYLRICH. ANY REPRODUCTION IN PART OR AS A WHOLE WITHOUT THE WRITTEN PERMISSION OF PHYLRICH IS PROHIBITED.				

1261 LOGAN AVENUE  
 COSTA MESA, CALIFORNIA 92626  
 PHONE: 714.361.4800  
 FAX: 714.617.3120

**PHYLRICH**  
 Defining Luxury Since 1959

INTERPRET GEOMETRIC DIMENSIONING & TOLERANCING IN ACCORDANCE WITH ASME Y14.5-2009 & ASME Y14.41-2003 STANDARDS. UNLESS OTHERWISE SPECIFIED, DIMENSIONS ARE IN INCHES. TOLERANCES ARE:  
 FRACTIONS ±1/16"  
 DECIMALS X.X: ±.1  
 X.XX: ±.01  
 X.XXX: ±.005  
 ANGULAR ±2°

APPLICATION	NEXT ASSY	USED ON	MATERIAL	FINISH	DO NOT SCALE DRAWING
<b>PB TUB &amp; SHOWER SET, GREEN MARBLE LEVER, VALENCIA</b>					
SIZE	ASM/PRT NO.	REV			
<b>B</b>	<b>PB2338F/00</b>				
SCALE: 1:4	WEIGHT: lbs.	SHEET 1 OF 2			