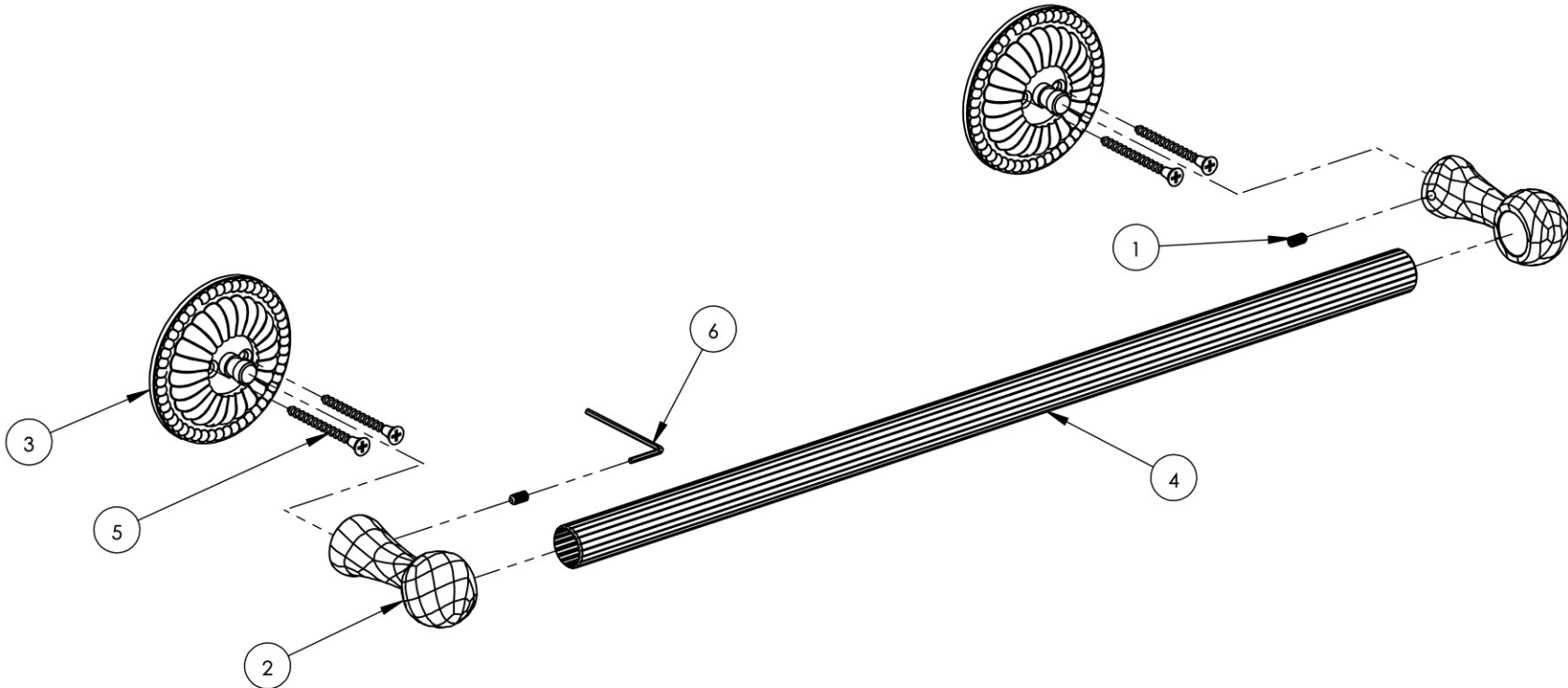


ITEM NO.	PART NUMBER	DESCRIPTION	QTY.
1	92010	SET SCREW, CUP POINT 8-32UNC 5/16" LENGTH SS	2
2	P23047/00	KCW 50/65 POST	2
3	P23055/00	KPG BACKPLATE	2
4	P23079/00	18 INCH KPG TOWEL BAR	1
5	P36005	#6 DRY WALL SCREW	4
6	P39001	5/64 HEX KEY, FOR 8/32 SET SCREW	1



A

B

C

D

E

ZONE	REV.	DESCRIPTION	DATE	APPROVED
REVISIONS				

NEXT ASSY	USED ON

MATERIAL	APPLICATION

FINISH	DRAWN	NAME	DATE
	LLO	7/15/2013	

DO NOT SCALE DRAWING	CHECKED	GRE

INTERPRET GEOMETRIC DIMENSIONING & TOLERANCING IN ACCORDANCE WITH ASME Y14.5-2009 & ASME Y14.41-2003 STANDARDS, UNLESS OTHERWISE SPECIFIED. DIMENSIONS ARE IN INCHES. TOLERANCES ARE:

FRACTIONS	DECIMALS	ANGULAR
±1/64"	X.X: ±.1 X.XX: ±.01 X.XXX: ±.005	±.5°

18" TOWEL BAR, GEORGIAN & BARCELONA (360-70/00)

SIZE	ASM/PRT NO.	REV
A	KPG65/00	-

SCALE: 1:3 WEIGHT: lbs. SHEET 1 OF 2

1261 LOGAN AVENUE
COSTA MESA, CALIFORNIA 92626
PHONE: 714.361.4800
FAX: 714.617.3120

PHYLIRICH[®]

Defining Luxury Since 1959

PROPRIETARY AND CONFIDENTIAL

THE INFORMATION CONTAINED IN THIS DRAWING IS THE SOLE PROPERTY OF RSS MANUFACTURING. ANY REPRODUCTION IN PART OR AS A WHOLE WITHOUT THE WRITTEN PERMISSION OF RSS MANUFACTURING IS PROHIBITED.

5

4

3

2

1