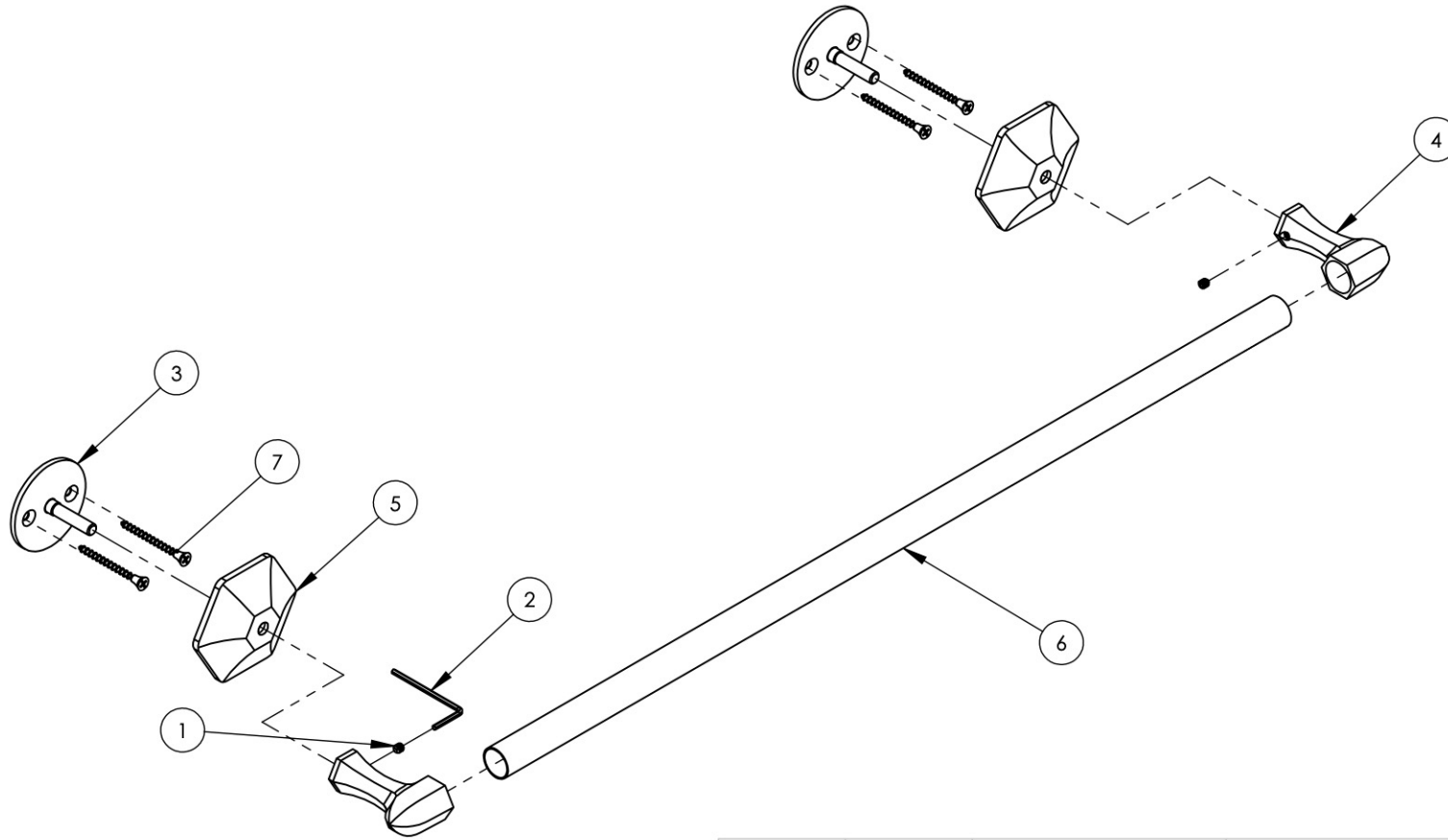


ITEM NO.	PART NUMBER	VendorNo	DESCRIPTION	QTY.
1	92024		SET SCREW, CUP POINT 10-24UNC 3/16" LENGTH	2
2	92184	7122A16	HEX L-KEY 3/32" HEX x 2 1/8"L	1
3	P23002		GKB MOUNTING STUD	2
4	P23056/00		KL50 POST	2
5	P23059/00		KL BACK PLATE	2
6	P23074/00		24" KLD TOWEL BAR	1
7	P36005		#6 DRY WALL SCREW	4



ZONE	REV.	DESCRIPTION	DATE	APPROVED
REVISIONS				

REVISIONS

1261 LOGAN AVENUE COSTA MESA, CALIFORNIA 92626 PHONE: 714.361.4800 FAX: 714.617.3120		<p style="text-align: center;">PROPRIETARY AND CONFIDENTIAL</p> <p style="font-size: small;">THE INFORMATION CONTAINED IN THIS DRAWING IS THE SOLE PROPERTY OF RSS MANUFACTURING. ANY REPRODUCTION IN PART OR AS A WHOLE WITHOUT THE WRITTEN PERMISSION OF RSS MANUFACTURING IS PROHIBITED.</p>
---	---	--

-	-	INTERPRET GEOMETRIC DIMENSIONING & TOLERANCING IN ACCORDANCE WITH ASME Y14.5-2009 & ASME Y14.41-2003 STANDARDS, UNLESS OTHERWISE SPECIFIED. DIMENSIONS ARE IN INCHES. TOLERANCES ARE:		
-	-	FRACTIONS	DECIMALS	ANGULAR
		±1/64"	X.X: ±.1 X.XX: ±.01 X.XXX: ±.005	±.5°
NEXT ASSY		USED ON		
APPLICATION				
MATERIAL				
FINISH				
DRAWN		NAME	DATE	
		LLO	10/17/2013	
DO NOT SCALE DRAWING		CHECKED	GRE	

24" TOWEL BAR, LE VERRE & LA CROSSE			
SIZE	ASM/PRT NO.	REV	
A	KL70/00	-	
SCALE: 1:4		WEIGHT: lbs.	SHEET 1 OF 2

5

4

3

2

1

A

B

C

D

E