

5

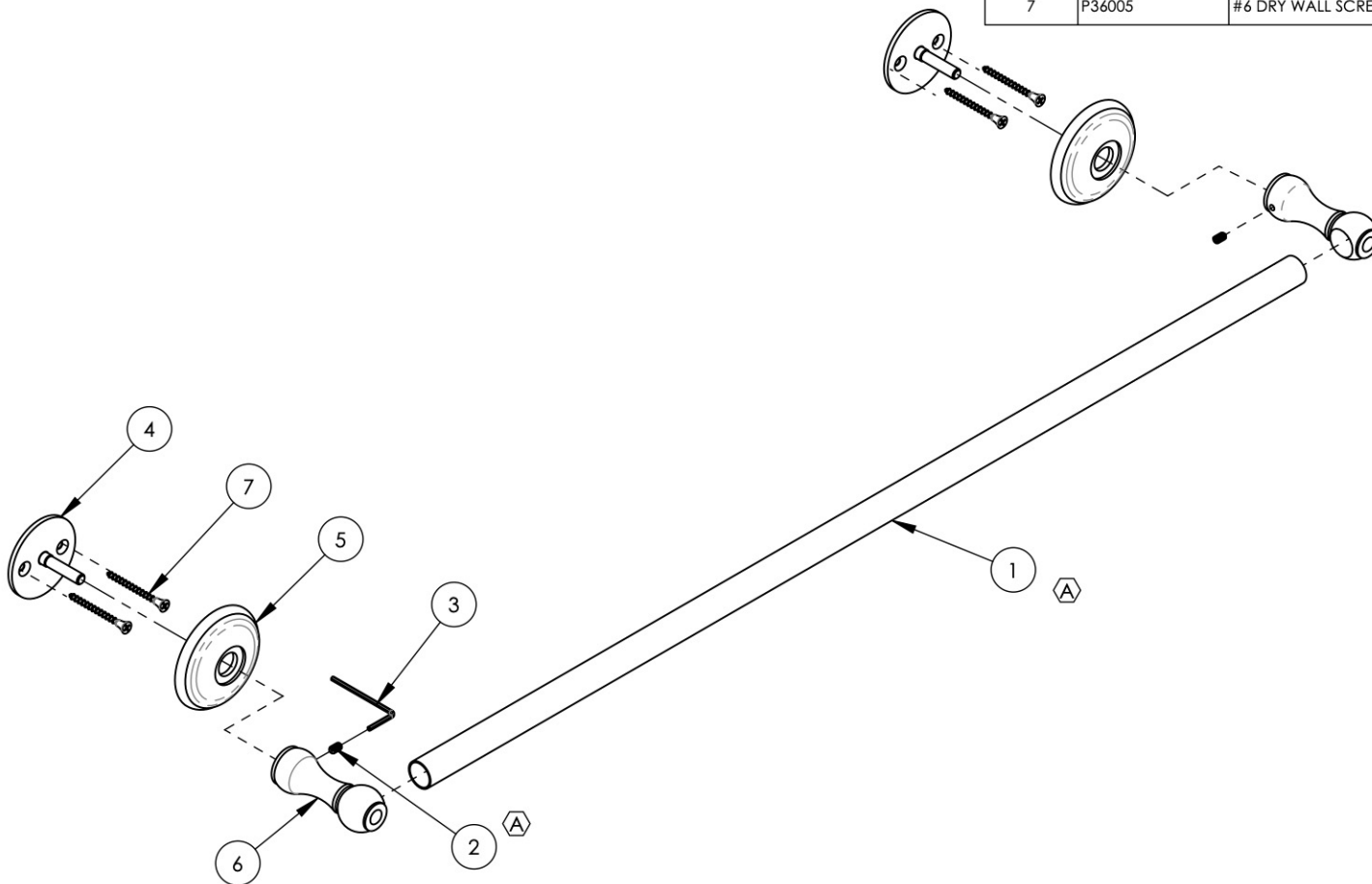
4

3

2

1

ITEM NO.	PART NUMBER	DESCRIPTION	QTY.
1	11064/00	BAR TUBE, FOR 30" TOWEL BAR	1
2	92060	SET SCREW, 10-24 5/16"L	2
3	92184	HEX L-KEY 3/32" HEX x 2 1/8"L	1
4	P23002	GKB MOUNTING STUD	2
5	P23004/00	KGB BACK PLATE	2
6	P23005/00	KGB 50/65 POST	2
7	P36005	#6 DRY WALL SCREW	4



ALL	REV.	DESCRIPTION	DATE	APPROVED
A		UPDATE TEMPLATE, DWG NAME, TUBE & SET SCREW	4/15/2020	AMM

1261 LOGAN AVENUE
COSTA MESA, CALIFORNIA 92626
PHONE: 714.361.4800
FAX: 714.617.3120

PHYLIRICH[®]
Defining Luxury Since 1959

PROPRIETARY AND CONFIDENTIAL
THE INFORMATION CONTAINED IN THIS DRAWING IS THE SOLE PROPERTY OF PHYLIRICH. ANY REPRODUCTION IN PART OR AS A WHOLE WITHOUT THE WRITTEN PERMISSION OF PHYLIRICH IS PROHIBITED.

INTERPRET GEOMETRIC DIMENSIONING & TOLERANCING IN ACCORDANCE WITH ASME Y14.5-2009 & ASME Y14.41-2003 STANDARDS. UNLESS OTHERWISE SPECIFIED, DIMENSIONS ARE IN INCHES. TOLERANCES ARE:	FRACTIONS	DECIMALS	ANGULAR
	±1/16"	X.X: ±.1 X.XX: ±.01 X.XXX: ±.005	±2°
NEXT ASSY	USED ON	NAME	DATE
APPLICATION		DRAWN	LLO 10/24/2013
MATERIAL	FINISH	CHECKED	GRE

DO NOT SCALE DRAWING

TOWEL BAR, 30 INCH, 3RING

SIZE	ASM/PRT NO.	REV
A	KGB75/00	A
SCALE: 1:4.5	WEIGHT: lbs.	SHEET 1 OF 2

5

4

3

2

1