

5

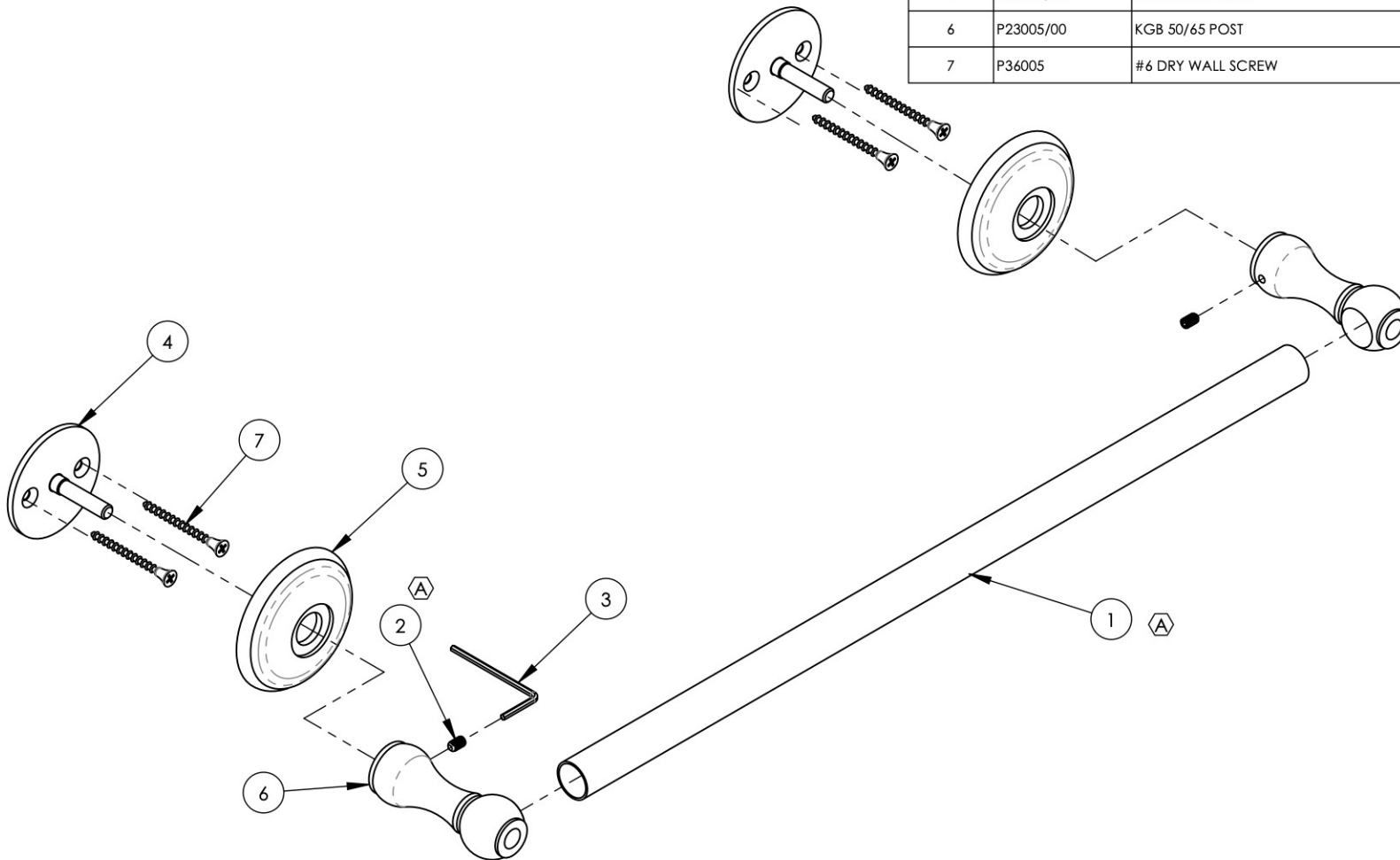
4

3

2

1

ITEM NO.	PART NUMBER	DESCRIPTION	QTY.
1	11063/00	BAR TUBE, FOR 18" TOWEL BAR	1
2	92060	SET SCREW, 10-24 5/16"L	2
3	92184	HEX L-KEY 3/32" HEX x 2 1/8"L	1
4	P23002	GKB MOUNTING STUD	2
5	P23004/00	KGB BACK PLATE	2
6	P23005/00	KGB 50/65 POST	2
7	P36005	#6 DRY WALL SCREW	4



ALL	REV.	DESCRIPTION	DATE	APPROVED
A		UPDATE TEMPLATE, DWG NAME, TUBE, & SET SCREW	4/15/2020	AMM

1261 LOGAN AVENUE  
COSTA MESA, CALIFORNIA 92626  
PHONE: 714.361.4800  
FAX: 714.617.3120

**PHYL RICH**<sup>®</sup>  
Defining Luxury Since 1959

**PROPRIETARY AND CONFIDENTIAL**  
THE INFORMATION CONTAINED IN THIS DRAWING IS THE SOLE PROPERTY OF PHYL RICH. ANY REPRODUCTION IN PART OR AS A WHOLE WITHOUT THE WRITTEN PERMISSION OF PHYL RICH IS PROHIBITED.

-		-		INTERPRET GEOMETRIC DIMENSIONING & TOLERANCING IN ACCORDANCE WITH ASME Y14.5-2009 & ASME Y14.41-2003 STANDARDS. UNLESS OTHERWISE SPECIFIED, DIMENSIONS ARE IN INCHES. TOLERANCES ARE: FRACTIONS ±1/16" DECIMALS X.X: ±.1 X.XX: ±.01 X.XXX: ±.005 ANGULAR ±2°
NEXT ASSY		USED ON		
APPLICATION				
MATERIAL		NAME	DATE	
FINISH		DRAWN	LLO	10/23/2013
<b>DO NOT SCALE DRAWING</b>		CHECKED	GRE	

<b>TOWEL BAR, 18 INCH, 3RING</b>			
SIZE	ASM/PRT NO.	REV	
<b>A</b>	KGB65/00	<b>A</b>	
SCALE: 1:3	WEIGHT: lbs.	SHEET 1 OF 2	

5

4

3

2

1