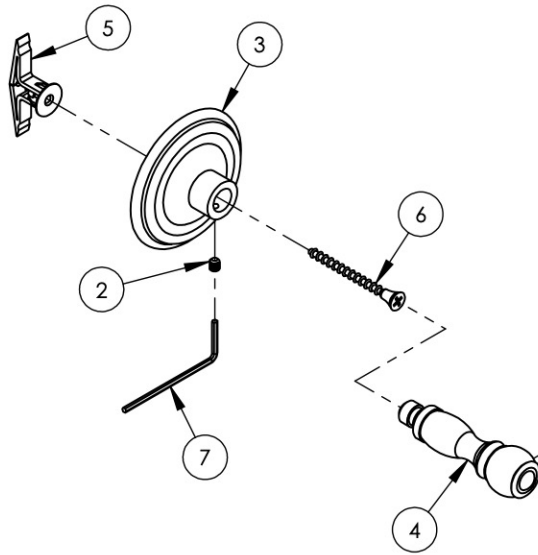
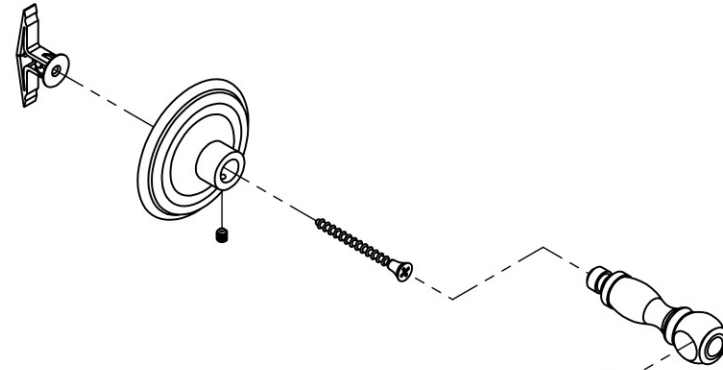


ITEM NO.	PART NUMBER	DESCRIPTION	QTY.
1	10645/00	TOWEL BAR, 18" L X .049" THK	1
2	92008	SET SCREW, CUP POINT 8-32, 3/16" L.	2
3	P23003/00	KG BACKPLATE	2
4	P23063/00	KG65 TOWEL BAR POST	2
5	P23085	TOGGLER FOR WALL	2
6	P36005	#6 DRY WALL SCREW	2
7	P39001	HEX KEY 5/64, FOR 8-32 SET SCREW	1



ZONE	REV.	DESCRIPTION	DATE	APPROVED
C2	A	-TUBE WAS REPLACED	5/10/2016	GRE

REVISIONS				
PROPRIETARY AND CONFIDENTIAL				
THE INFORMATION CONTAINED IN THIS DRAWING IS THE SOLE PROPERTY OF RSS MANUFACTURING. ANY REPRODUCTION IN PART OR AS A WHOLE WITHOUT THE WRITTEN PERMISSION OF RSS MANUFACTURING IS PROHIBITED.				

NEXT ASSY	USED ON	INTERPRET GEOMETRIC DIMENSIONING & TOLERANCING IN ACCORDANCE WITH ASME Y14.5-2009 & ASME Y14.41-2003 STANDARDS. UNLESS OTHERWISE SPECIFIED, DIMENSIONS ARE IN INCHES. TOLERANCES ARE:		
		FRACTIONS ±1/64"	DECIMALS X.X: ±.1 X.XX: ±.01 X.XXX: ±.005	ANGULAR ±.5°
APPLICATION		NAME	DATE	
MATERIAL		DRAWN	LLO	5/10/2016
FINISH		CHECKED	GRE	

18" TOWEL BAR SMALL, MARQUIS & JAMESTOWN			
SIZE	ASM/PRT NO.	REV	
A	KG65/00	A	
SCALE: 1:3	WEIGHT: lbs.	SHEET 1 OF 1	

5

4

3

2

1

1261 LOGAN AVENUE
COSTA MESA, CALIFORNIA 92626
PHONE: 714.361.4800
FAX: 714.617.3120



MANUFACTURING

PROPRIETARY AND CONFIDENTIAL
THE INFORMATION CONTAINED IN THIS DRAWING IS THE SOLE PROPERTY OF RSS MANUFACTURING. ANY REPRODUCTION IN PART OR AS A WHOLE WITHOUT THE WRITTEN PERMISSION OF RSS MANUFACTURING IS PROHIBITED.

DO NOT SCALE DRAWING