

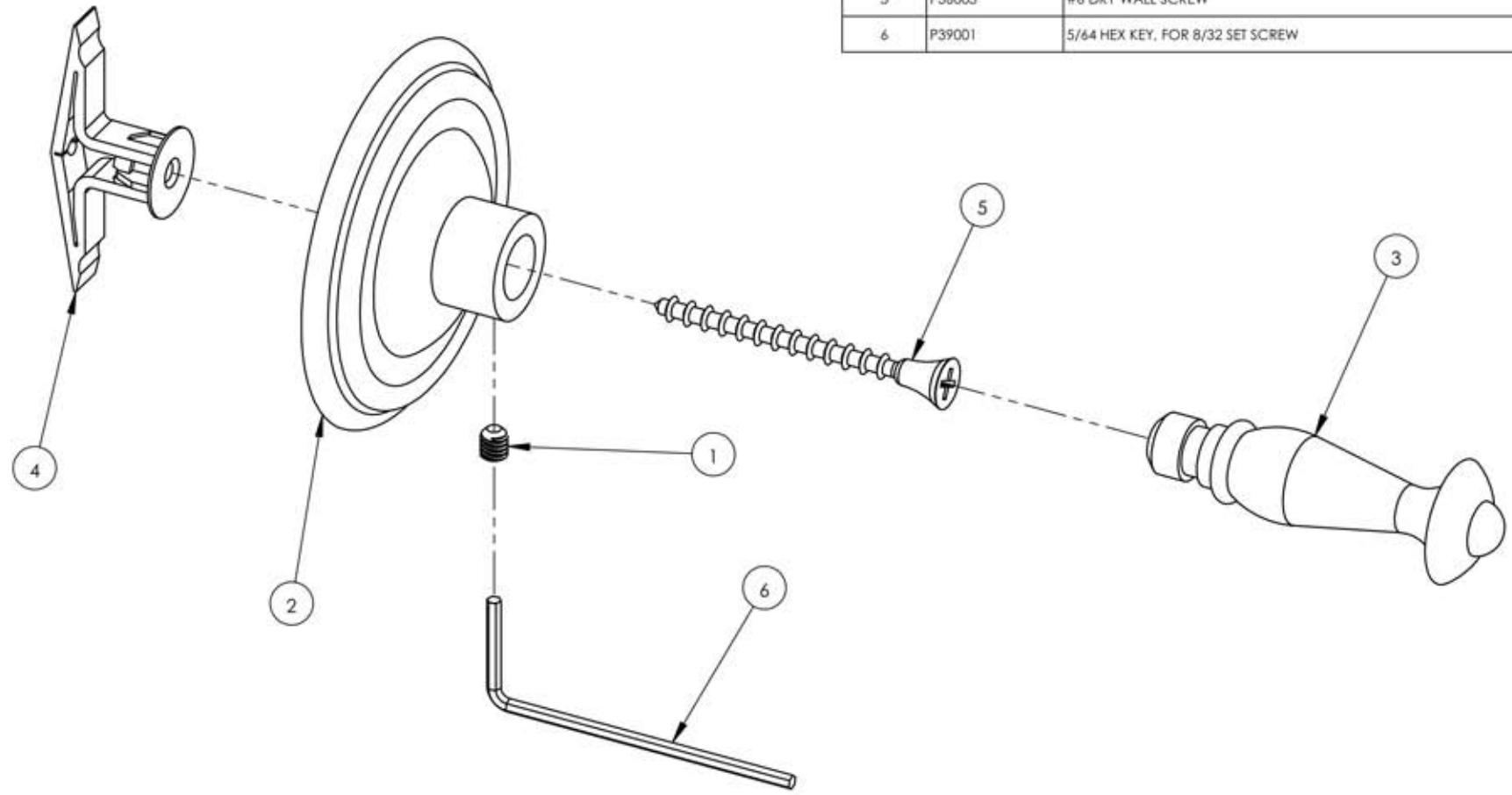
ITEM NO.	PART NUMBER	DESCRIPTION	QTY.
1	92008	SET SCREW, CUP POINT 8-32UNC 3/16"L	1
2	P23003/00	KG BACKPLATE	1
3	P23061	KG10 POST FOR ROPE HOOK	1
4	P23085	TOGGLER FOR WALL	1
5	P36005	#6 DRY WALL SCREW	1
6	P39001	5/64 HEX KEY, FOR 8/32 SET SCREW	1

A

B

C

D



E

ZONE	REV.	DESCRIPTION	DATE	APPROVED
REVISIONS				
PHYLORICH® Defining Luxury Since 1959				

1261 LOGAN AVENUE
 COSTA MESA, CALIFORNIA 92626
 PHONE: 714.361.4800
 FAX: 714.617.3120

PHYLORICH®

Defining Luxury Since 1959

PROPRIETARY AND CONFIDENTIAL
 THE INFORMATION CONTAINED IN THIS DRAWING IS THE SOLE PROPERTY OF R3S MANUFACTURING. ANY REPRODUCTION IN PART OR AS A WHOLE WITHOUT THE WRITTEN PERMISSION OF R3S MANUFACTURING IS PROHIBITED.

NEXT ASSY		USED ON		INTERPRET GEOMETRIC DIMENSIONING & TOLERANCING IN ACCORDANCE WITH ASME Y14.5-2009 & ASME Y14.41-2003 STANDARDS. UNLESS OTHERWISE SPECIFIED, DIMENSIONS ARE IN INCHES. TOLERANCES ARE: FRACTIONS ±1/64" DECIMALS X.X: ±.1 ANGULAR X.XX: ±.01 X.XXX: ±.005		
APPLICATION				NAME	DATE	
MATERIAL				DRAWN	LLO	7/31/2013
FINISH				CHECKED	GRE	
DO NOT SCALE DRAWING						

ROBE HOOK GTWN, MQUI & JMSTWN
 (162-76/00)

SIZE	ASM/PRT NO.	REV
A	KG10/00	-

SCALE: 1:1	WEIGHT: lbs.	SHEET 1 OF 2
------------	--------------	--------------

5

4

3

2

1