

K839



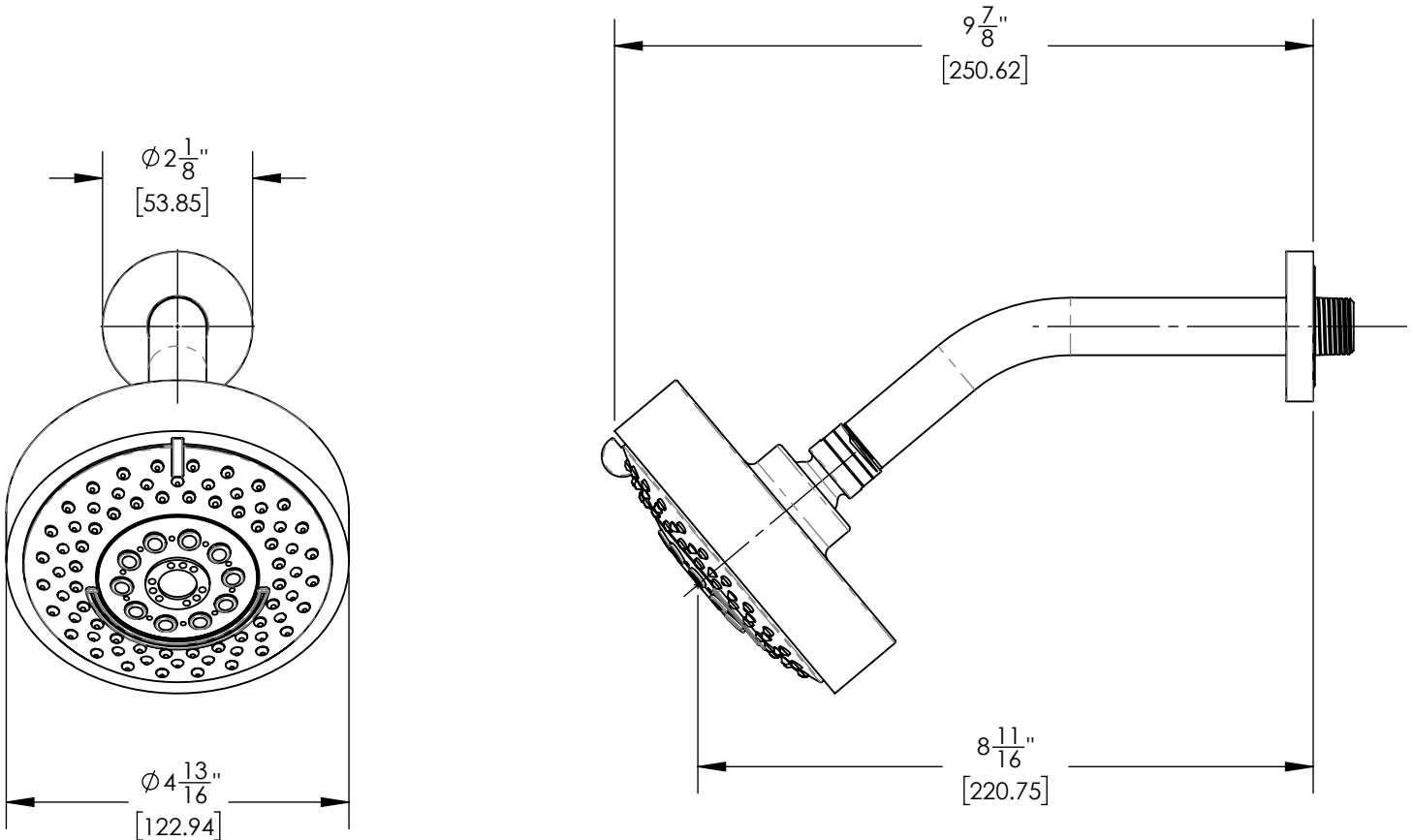
■ **PRODUCT FEATURES**

- With round escutcheon
- Four Functions: aerated, blade, massage and rain
- Comes with 8" Arm and Escutcheon
- 1.8 gpm @ max
- 
- 

■ **TECHNICAL DETAILS**

Installation Type: Wall Mounted  
 Primary Material: Brass  
 Flow Restriction: 1.8 gpm  
 Water Pressure Maximum: 85 PSI  
 Water Pressure Minimum: 20 PSI  
 Water Pressure Recommended: 60 PSI

■ **PRODUCT DIMENSIONS**



[www.phylrich.com](http://www.phylrich.com)

1261 Logan Avenue, Costa Mesa, California 92626.  
 Phone: 714.361.4800 Fax: 714.617.3120

**CODES & STANDARDS**

ASME A112.181/ CSA B1251, ASME 112.18.2/ CSA B125.2, ANSI NSF, CEC

**WARRANTY**

Mechanical Warranty: 10 Years from date of purchase.  
 Finish Warranty: See catalog for further information.

Rev-