

5

4

3

2

1

NOTE(S):  
1. PART NUMBER, "/00" DENOTES PART SHALL HAVE FINISH.

2. APPLY NSF COMPLIANT GREASE TO ANY O-RING, SEALING JOINTS, AND/OR PIVOTAL POINTS.



3. APPLY NSF COMPLIANT LOCTITE TO THREADED AREA.



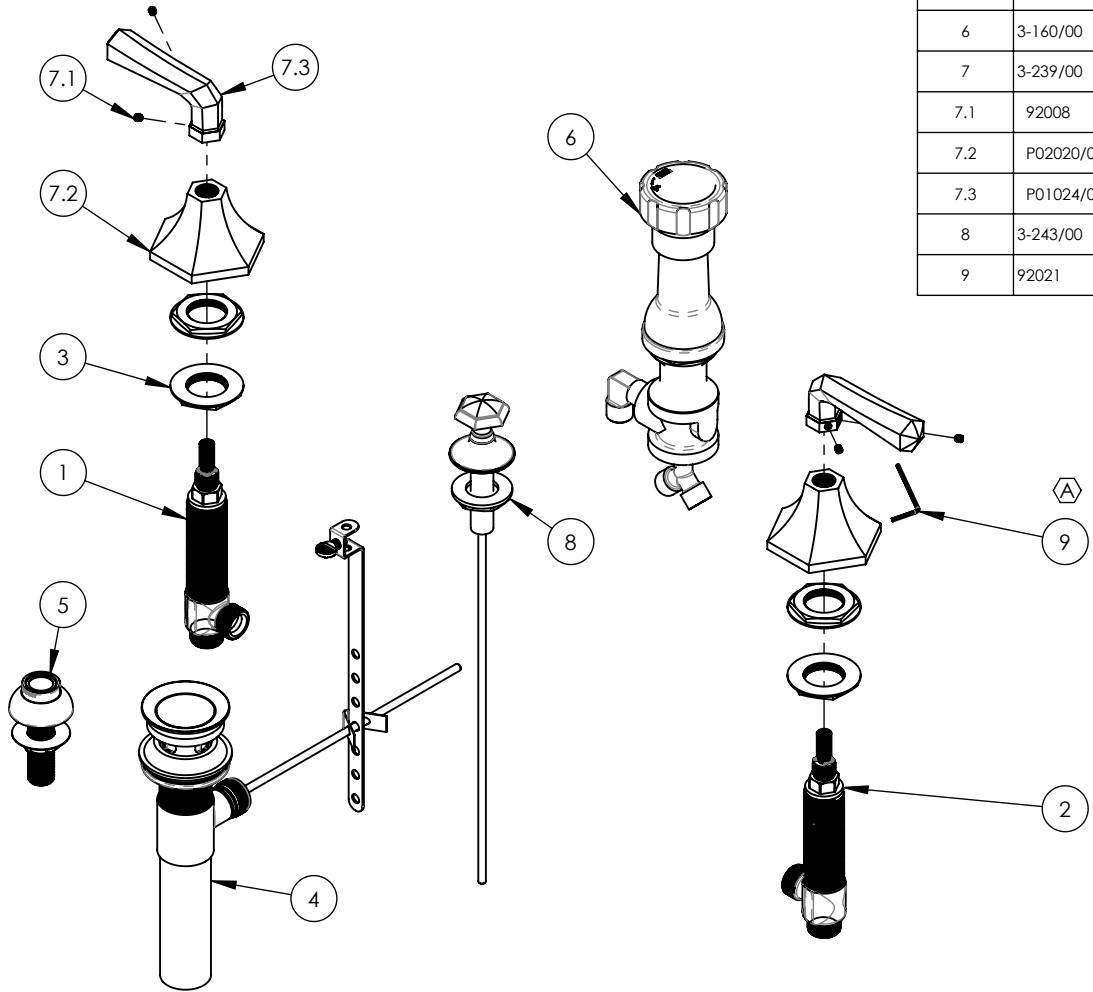
4. APPLY NSF COMPLIANT REMOVABLE (BLUE) LOCTITE TO THREADED AREA.



5. SILVER SOLDER JOINTS SHALL BE FULLY WETTED VIA CAPILLARY ACTION AND COMPLETELY NON POROUS.



ITEM NO.	PART NUMBER	DESCRIPTION	QTY.
1	1-149	WIDESPREAD VALVE LAV 16PT, HOT, ONLY	1
2	1-150	WIDESPREAD VALVE LAV 16PT, COLD, ONLY	1
3	2-203	MOUNTING NUT KIT, WIDESPREAD LAV	4
4	3-046/00	POP-UP DRAIN ASSEMBLY (2-101, 2-102, & 2-246)	1
5	3-085/00	ASSY, BIDET SPRAYER	1
6	3-160/00	BIDET DIVERTER, COMPLETE	1
7	3-239/00	LEVER HANDLE, LE VERRÉ & LA CROSSE	2
7.1	92008	SET SCREW, CUP POINT 8-32, 3/16" L.	2
7.2	P02020/00	ESCUTCHEON, COVER PLATE K170&K171	1
7.3	P01024/00	K170 HANDLE	1
8	3-243/00	POP-UP ROD, BIDET, LE VERRÉ & LA CROSSE	1
9	92021	HEX KEY 5/64, FOR 8-32 SET SCREW	1



C3	A	UPDATE HEX KEY PART #	4/29/2021	AMM
ZONE	REV.	DESCRIPTION	DATE	APPROVED
REVISIONS				

1261 LOGAN AVENUE  
COSTA MESA, CALIFORNIA 92626  
PHONE: 714.361.4800  
FAX: 714.617.3120

**PHYLIRICH**<sup>®</sup>  
Defining Luxury Since 1959

**PROPRIETARY AND CONFIDENTIAL**  
THE INFORMATION CONTAINED IN THIS DRAWING IS THE SOLE PROPERTY OF PHYLIRICH. ANY REPRODUCTION IN PART OR AS A WHOLE WITHOUT THE WRITTEN PERMISSION OF PHYLIRICH IS PROHIBITED.  
**DO NOT SCALE DRAWING**

**BIDET SET, FOUR HOLE, LEVER, LE VERRÉ & LA CROSSE**

SIZE <b>A</b>	ASM/PRT NO. K4170/00	REV A
SCALE: 1:4.75	WEIGHT: lbs.	SHEET 1 OF 2

5

4

3

2

1

5

4

3

2

1

E

E

D

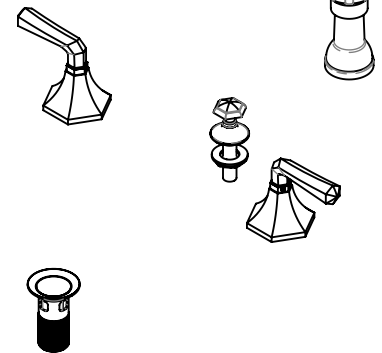
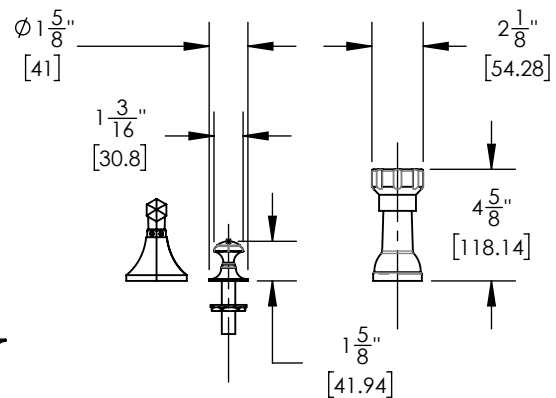
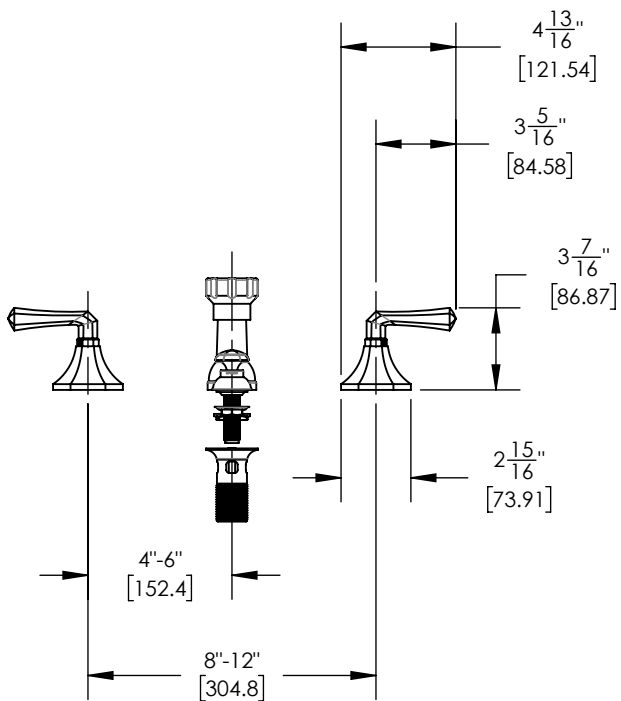
D

C

C

B

B



1261 LOGAN AVENUE  
COSTA MESA, CALIFORNIA 92626  
PHONE: 714.361.4800  
FAX: 714.617.3120

**PHYLIRICH**<sup>®</sup>  
Defining Luxury Since 1959

**PROPRIETARY AND CONFIDENTIAL**  
THE INFORMATION CONTAINED IN THIS DRAWING IS THE SOLE PROPERTY OF PHYLIRICH. ANY REPRODUCTION IN PART OR AS A WHOLE WITHOUT THE WRITTEN PERMISSION OF PHYLIRICH IS PROHIBITED.  
**DO NOT SCALE DRAWING**

**BIDET SET, FOUR HOLE, LEVER, LE VERRE & LA CROSSE**

SIZE <b>A</b>	ASM/PRT NO. K4170/00	REV A
SCALE: 1:8	WEIGHT: lbs.	SHEET 2 OF 2

5

4

3

2

1

A

A